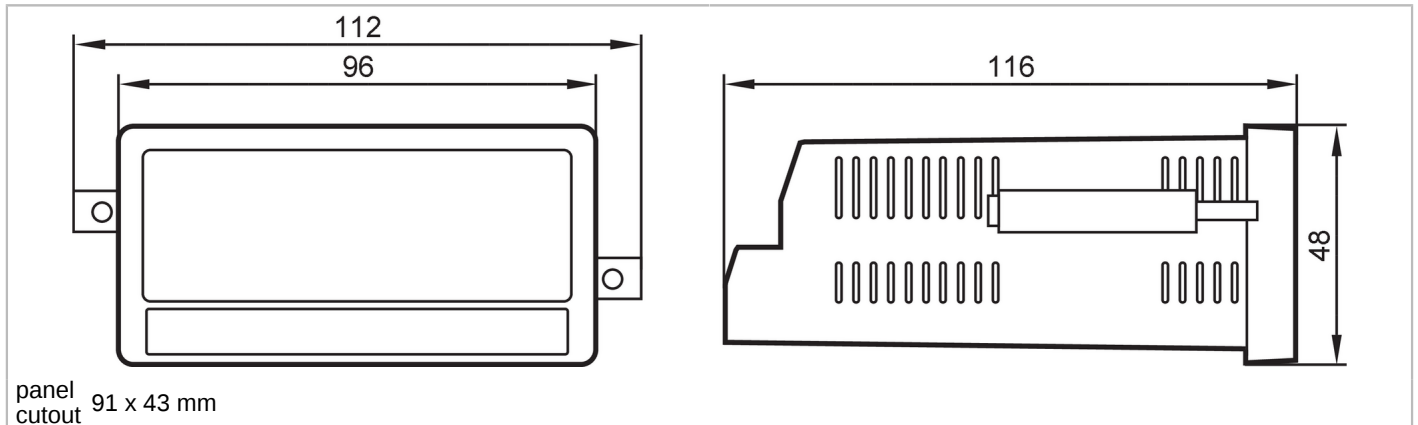


# DX2041



## Multifunction display for monitoring analog standard signals

DISPLAY/AX460/AC/DC



panel cutout 91 x 43 mm



Product characteristics		
Housing		rectangular
Dimensions	[mm]	48 x 112 x 116
Application		
Application		displaying and monitoring analog signals; e.g. pressure sensors, temperature sensors or flow sensors
Electrical data		
Frequency AC	[Hz]	50...60
Operating voltage	[V]	115...230 AC / 18...30 DC
Current consumption	[mA]	100
Inputs / outputs		
Number of inputs and outputs		Number of analog inputs: 2
Inputs		
Number of analog inputs		2; (Spannungs- oder Stromeingang)
Analog input (current)	[mA]	0...20
Analog input (voltage)	[V]	-10...10
Resolution of analog input		16 bit
Precision analog input	[%]	0,1
Operating conditions		
Ambient temperature	[°C]	-20...60
Storage temperature	[°C]	-25...70
Protection		IP 65
Protection rating terminals		IP 20
Tests / approvals		
EMC	EN 61000-6-2	
	EN 61000-6-3	
	EN 61000-6-4	
Mechanical data		
Weight	[g]	351
Housing		rectangular
Type of mounting		installation in panels or panel cutouts; (panel cutout: 91 x 43 mm)

# DX2041



## Multifunction display for monitoring analog standard signals

DISPLAY/AX460/AC/DC

Dimensions [mm]	48 x 112 x 116
Material	housing: Noryl UL94-V-0

### Displays / operating elements

Display	Color display	full graphic LCD display, Touch screen
---------	---------------	--

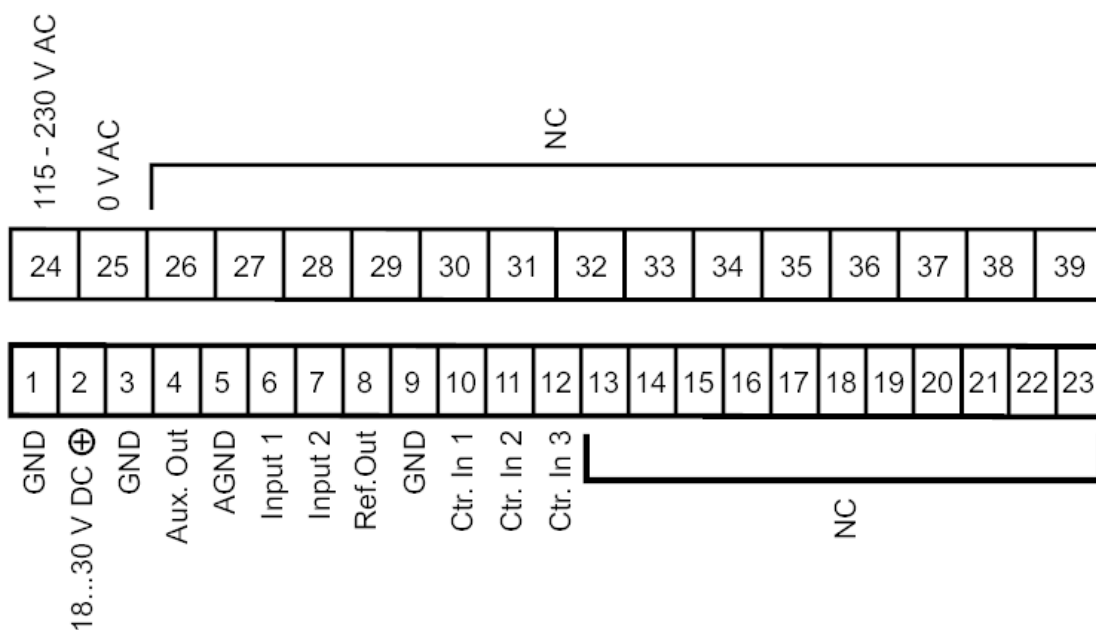
### Remarks

Pack quantity	1 pcs.
---------------	--------

### Electrical connection

screw terminals:

### Connection



NC not used