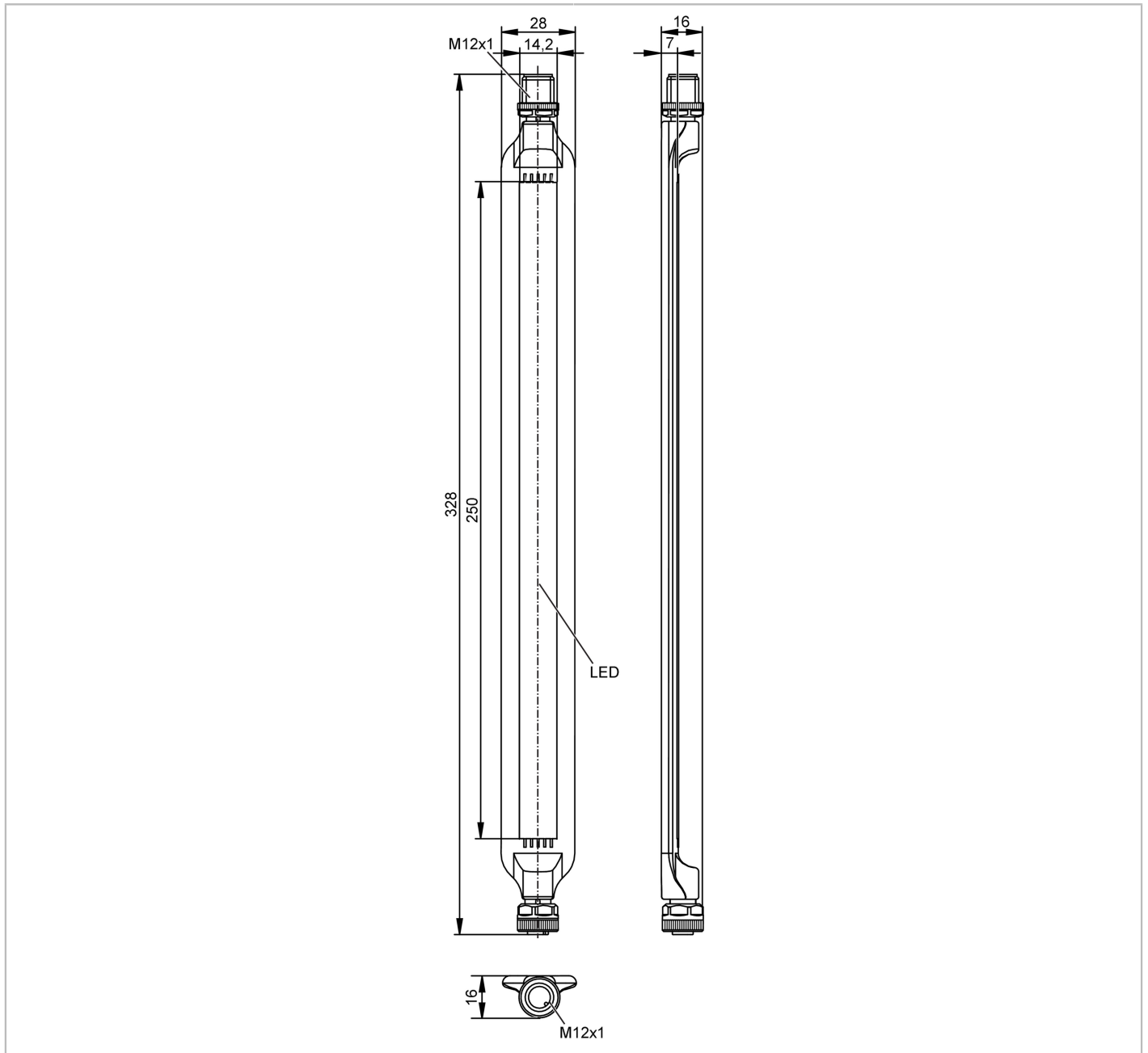


DV3011



Machine light

LED-Light-RGBW/ 250L 24C/CHCH/T



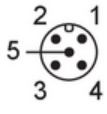
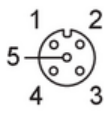
Application	
Special feature	gold-plated contacts
Application	illumination and signalling of machine conditions
Electrical data	
Operating voltage	[V] 21.6...26.4 DC
Nominal voltage DC	[V] 24; (to SELV/PELV)
Max. current consumption	[mA] 300; (red: 43; green: 43; blue: 43; white: 172)
Color temperature	[K] 4000
Luminous flux	[lm] red: 40; green: 90; blue: 18; white: 450
Typ. lifetime	[h] 65000

DV3011



Machine light

LED-Light-RGBW/ 250L 24C/CHCH/T

Inputs		
Input circuit of digital inputs	24 V PNP	
Operating conditions		
Ambient temperature	[°C]	-20...45
Max. relative air humidity	[%]	90
Max. height above sea level	[m]	4000
Protection	IP 68; IP 69K	
Degree of soiling	2	
Tests / approvals		
Approval	IEC 62471; IEC 62031; IEC 60598; IEC 61000-6-2	
MTTF	[years]	744
Mechanical data		
Weight	[g]	111.75
Dimensions	[mm]	302 x 28 x 16
Material	housing: TPU / PA grey	
Displays / operating elements		
Display	Illumination	LED, white
	signaling machine conditions	LED, multi-color RGB
Remarks		
Pack quantity	1 pcs.	
Electrical connection - plug		
Connector: 1 x M12, straight; coding: A; Locking: brass, nickel-plated; Contacts: gold-plated; Tightening torque: 0.6...1.5 Nm		
		
1	L+	(red)
2	L+	(green)
3	L-	
4	L+	(white)
5	L+	(blue)
Electrical connection - Socket		
Connector: 1 x M12, straight; coding: A; Locking: brass, nickel-plated; Contacts: gold-plated; Take into account the maximum value of the counterpart!		
		
1	L+	(red)
2	L+	(green)
3	L-	
4	L+	(white)
5	L+	(blue)

DV3011

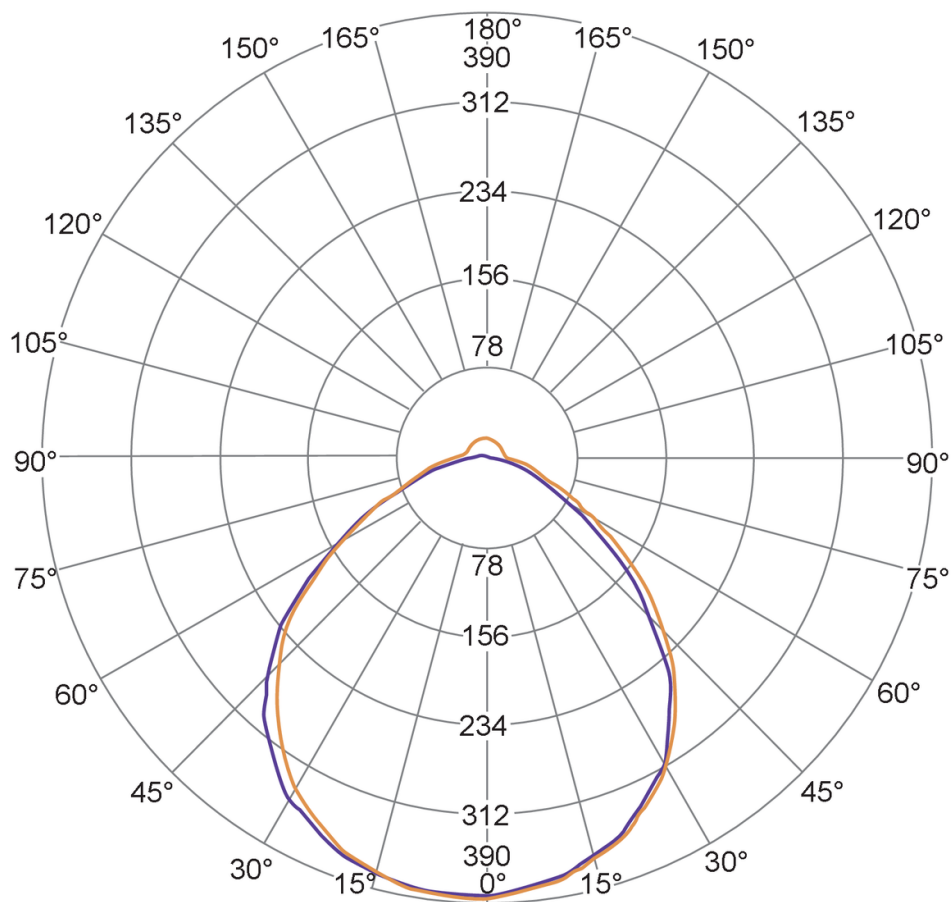


Machine light

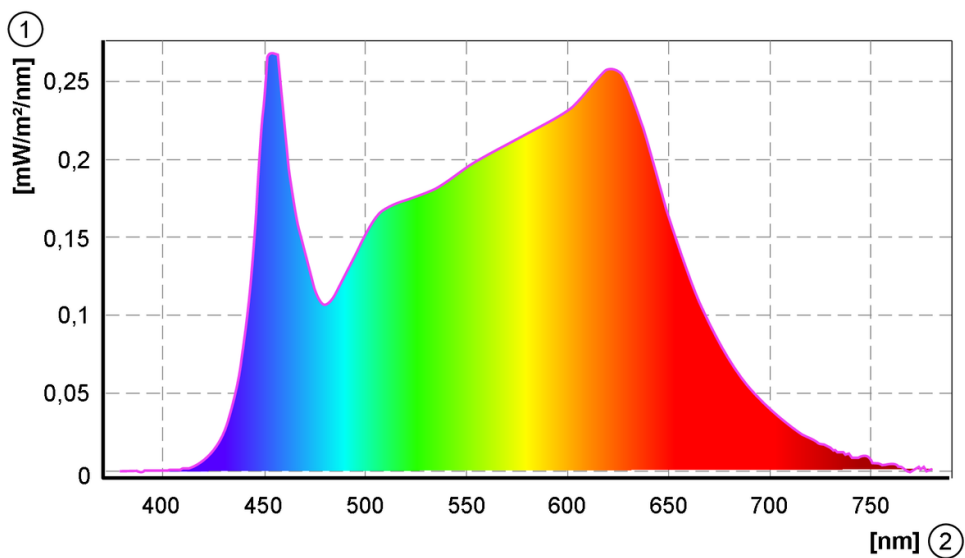
LED-Light-RGBW/ 250L 24C/CHCH/T

Diagrams and graphs

light intensity distribution curve



light spectrum



- 1 brightness
- 2 Wave length