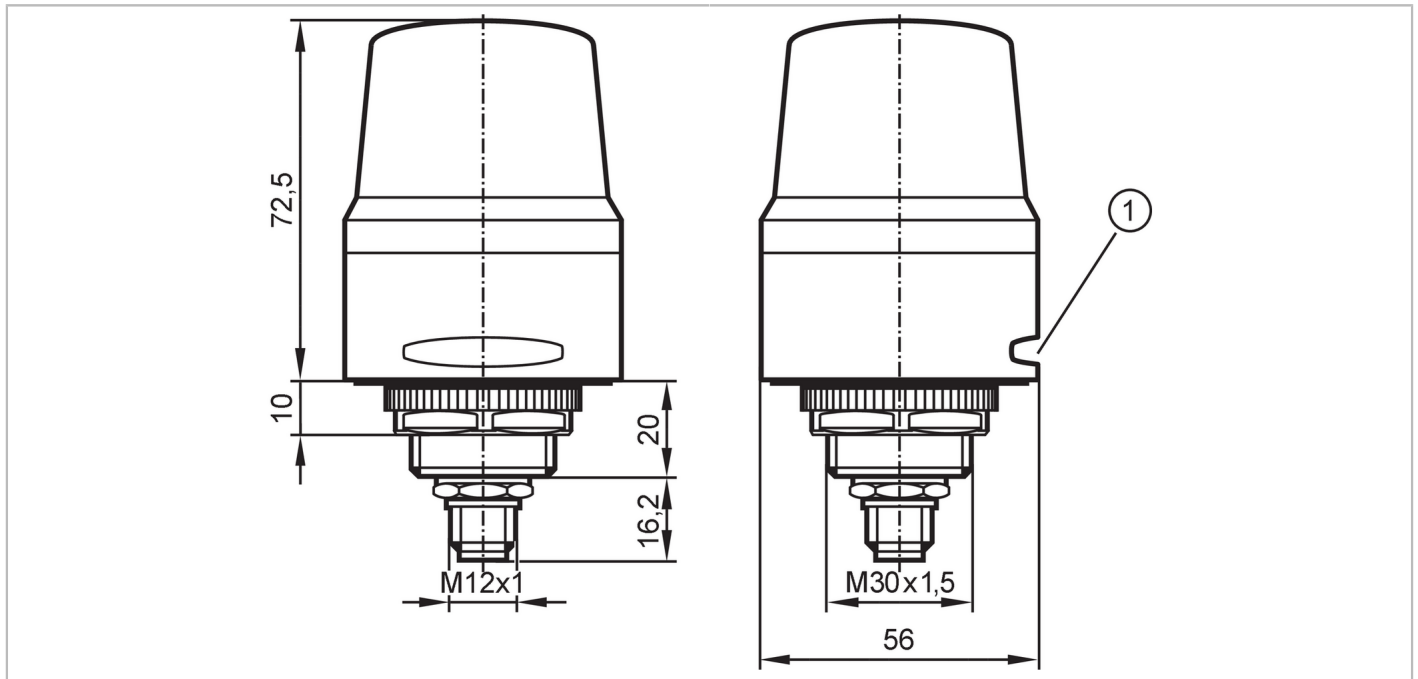


DV2131



1-segment signal lamp

LED-Lamp/IOL/Buzzer/Button



| Application | | | | | |
|--------------------------------------|---|-------------------|----------|---------|------|
| Application | signaling machine conditions | | | | |
| Electrical data | | | | | |
| Operating voltage [V] | 18...30 DC; (to SELV/PELV ; "supply class 2" to cURus) | | | | |
| Nominal voltage DC [V] | 24 | | | | |
| Current consumption [mA] | < 90 | | | | |
| Switch-on peak current [mA] | 400 | | | | |
| Switch-on peak current duration [ms] | 50 | | | | |
| Interfaces | | | | | |
| Communication interface | IO-Link | | | | |
| Transmission type | COM2 (38,4 kBaud) | | | | |
| IO-Link revision | 1.1 | | | | |
| SDCI standard | IEC 61131-9 | | | | |
| SIO mode | yes | | | | |
| Required master port class | A | | | | |
| Min. process cycle time [ms] | 8 | | | | |
| Supported DeviceIDs | <table border="1"> <thead> <tr> <th>Type of operation</th> <th>DeviceID</th> </tr> </thead> <tbody> <tr> <td>default</td> <td>1176</td> </tr> </tbody> </table> | Type of operation | DeviceID | default | 1176 |
| Type of operation | DeviceID | | | | |
| default | 1176 | | | | |
| Operating conditions | | | | | |
| Ambient temperature [°C] | -25...50 | | | | |
| Storage temperature [°C] | -40...75 | | | | |
| Max. relative air humidity [%] | 90 | | | | |
| Max. height above sea level [m] | 4000 | | | | |
| Protection | IP 65 | | | | |

DV2131



1-segment signal lamp

LED-Lamp/IOL/Buzzer/Button

| | |
|-------------------|---|
| Degree of soiling | 2 |
|-------------------|---|

Tests / approvals

| | |
|--------------|-----|
| MTTF [years] | 212 |
|--------------|-----|

Mechanical data

| | |
|-----------------|------------------------|
| Weight [g] | 169.5 |
| Dimensions [mm] | Ø 56 / L = 72.5 |
| Material | housing: ABS; lens: PC |

Displays / operating elements

| | | |
|--------------------------|---|--|
| Display | LED segment, red / green / yellow / blue / lilac / cyan / white | |
| Operating elements | capacitive pushbutton | |
| Acoustic signal | buzzer | |
| Max. sound pressure [dB] | 90 | |

Accessories

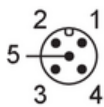
| | |
|------------------------|--|
| Accessories (optional) | mounting base, E89060 |
| | wall bracket, E89061 |
| | Mounting adapter, E89063 |
| | bracket with lateral cable entry, E89064 |
| | mounting tube, E89065 |
| | mounting tube, E89066 |
| | mounting tube, E89067 |
| | mounting base, E89080 |

Remarks

| | |
|---------------|---|
| Remarks | Further information is available in the manual. |
| Pack quantity | 1 pcs. |

Electrical connection - plug

Connector: M12; coding: A



IO-Link

| | |
|---|----------|
| 1 | UB+ |
| 2 | not used |
| 3 | UB- |
| 4 | IO-Link |
| 5 | not used |

standard mode

| | |
|---|---|
| 1 | IN1 red |
| 2 | IN2 green |
| 3 | GND |
| 4 | configurable (buzzer / Capacitive touch sensor) |
| 5 | IN3 blue |

DV2131

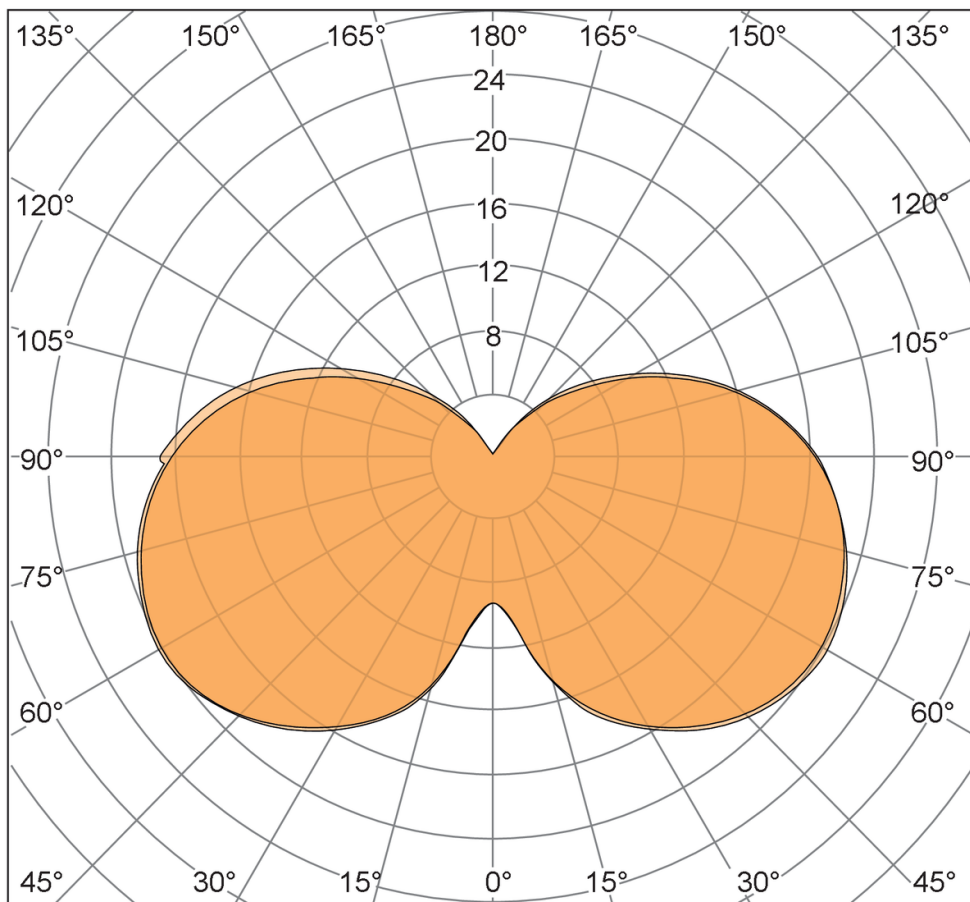


1-segment signal lamp

LED-Lamp/IOL/Buzzer/Button

Diagrams and graphs

light intensity distribution curve



$\eta=20\%$

light intensity distribution curve: red

1000 lm

operating efficiency = 20%

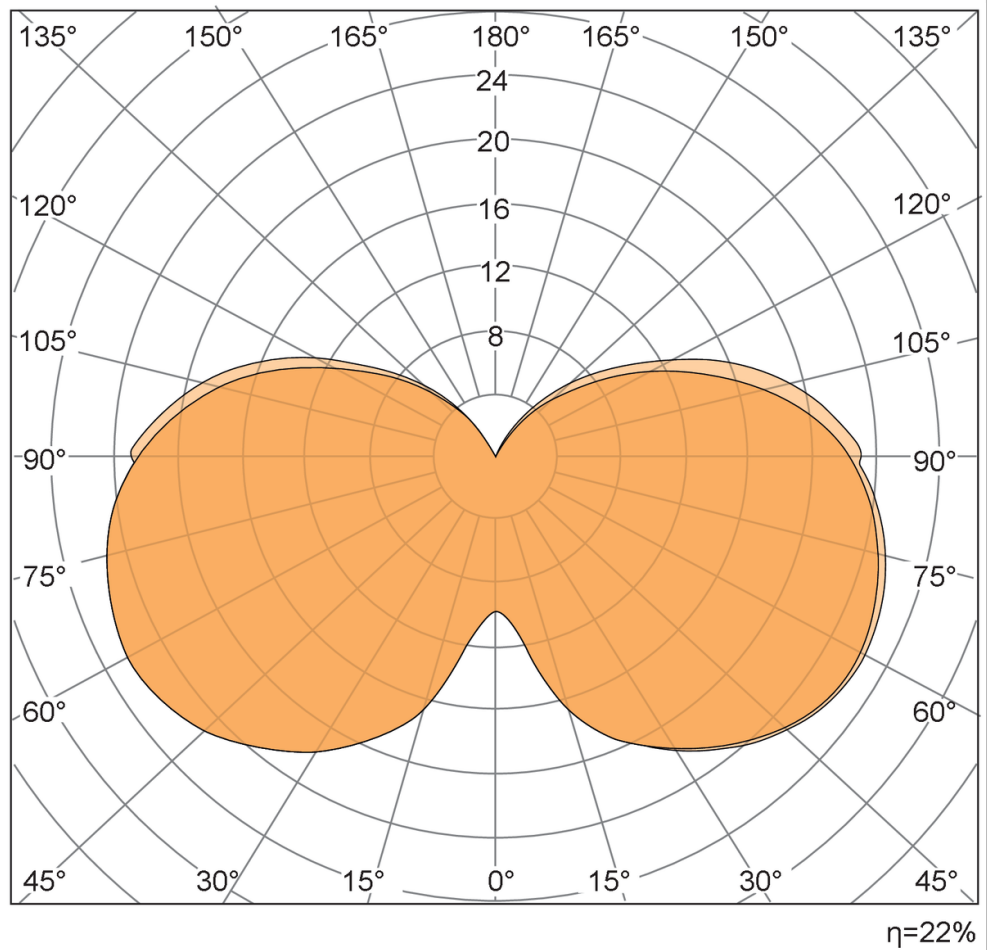
DV2131



1-segment signal lamp

LED-Lamp/IOL/Buzzer/Button

light intensity distribution curve



light intensity distribution curve: green

1000 lm

operating efficiency = 22%

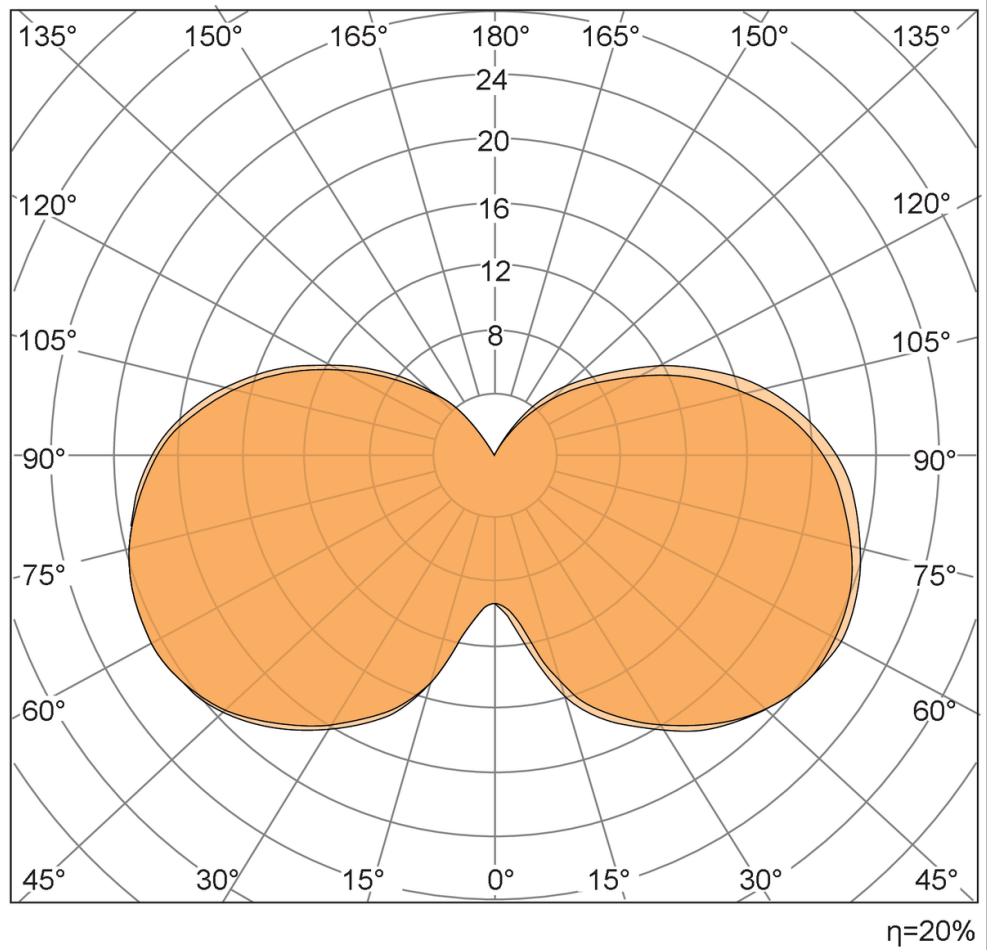
DV2131



1-segment signal lamp

LED-Lamp/IOL/Buzzer/Button

light intensity distribution curve



light intensity distribution curve: blue

1000 lm

operating efficiency = 20%

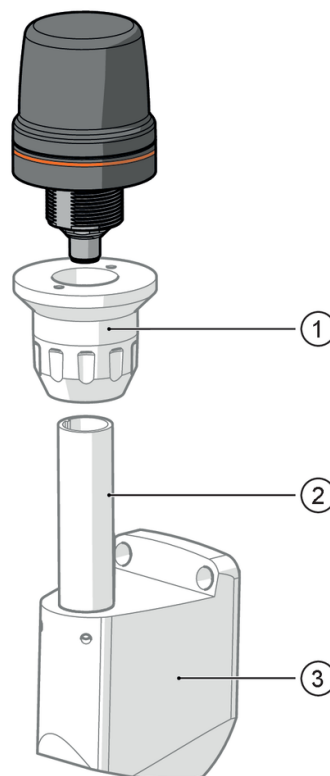
DV2131



1-segment signal lamp

LED-Lamp/IOL/Buzzer/Button

wall mounting



- 1 E89080 not supplied
- 2 E89065, E89066, E89067 not supplied
- 3 E89061 not supplied

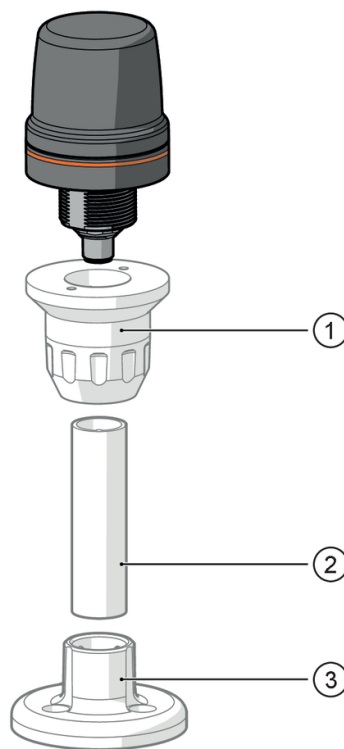
DV2131



1-segment signal lamp

LED-Lamp/IOL/Buzzer/Button

base mounting



- 1 E89080 not supplied
- 2 E89065, E89066, E89067 not supplied
- 3 E89060 not supplied