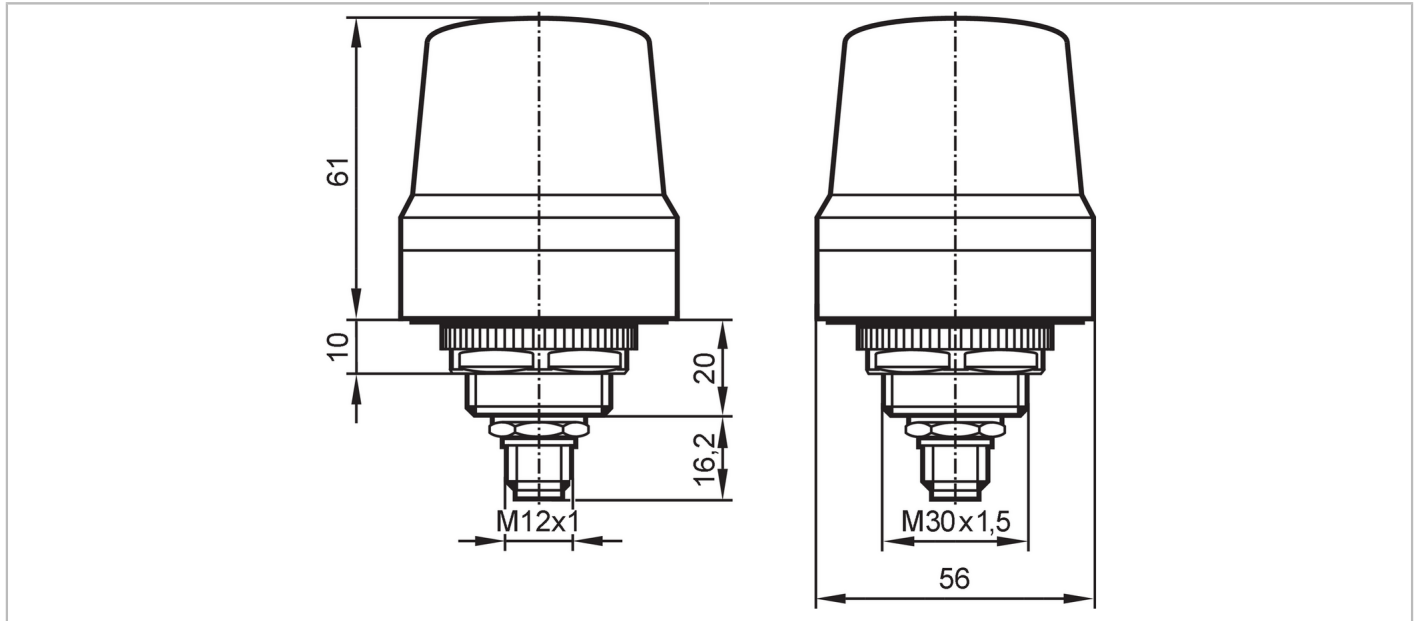


# DV2121



## 1-segment signal lamp

LED-Lamp/IO-Link/Button



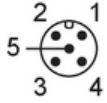
Application					
Application	signaling machine conditions				
Electrical data					
Operating voltage [V]	18...30 DC; (to SELV/PELV ; "supply class 2" to cURus)				
Nominal voltage DC [V]	24				
Current consumption [mA]	< 90				
Switch-on peak current [mA]	400				
Switch-on peak current duration [ms]	50				
Interfaces					
Communication interface	IO-Link				
Transmission type	COM2 (38,4 kBaud)				
IO-Link revision	1.1				
SDCI standard	IEC 61131-9				
SIO mode	yes				
Required master port class	A				
Min. process cycle time [ms]	8				
Supported DeviceIDs	<table border="1"> <thead> <tr> <th>Type of operation</th> <th>DeviceID</th> </tr> </thead> <tbody> <tr> <td>default</td> <td>1054</td> </tr> </tbody> </table>	Type of operation	DeviceID	default	1054
Type of operation	DeviceID				
default	1054				
Operating conditions					
Ambient temperature [°C]	-25...50				
Storage temperature [°C]	-40...75				
Max. relative air humidity [%]	90				
Max. height above sea level [m]	4000				
Protection	IP 67				
Degree of soiling	2				

# DV2121



## 1-segment signal lamp

LED-Lamp/IO-Link/Button

Tests / approvals	
MTTF	[years] 384
Mechanical data	
Weight	[g] 155
Dimensions	[mm] Ø 56 / L = 61
Material	housing: ABS; lens: PC
Displays / operating elements	
Display	LED segment, red / green / yellow / blue / lilac / cyan / white
Operating elements	capacitive pushbutton
Accessories	
Accessories (optional)	mounting base, E89060
	wall bracket, E89061
	Mounting adapter, E89063
	bracket with lateral cable entry, E89064
	mounting tube, E89065
	mounting tube, E89066
	mounting tube, E89067
mounting base, E89080	
Remarks	
Remarks	Further information is available in the manual.
Pack quantity	1 pcs.
Electrical connection - plug	
Connector: M12; coding: A	
	
IO-Link	
1	UB+
2	not used
3	UB-
4	IO-Link
5	not used
standard mode	
1	IN1 red
2	IN2 green
3	GND
4	Capacitive touch sensor
5	IN3 blue

# DV2121

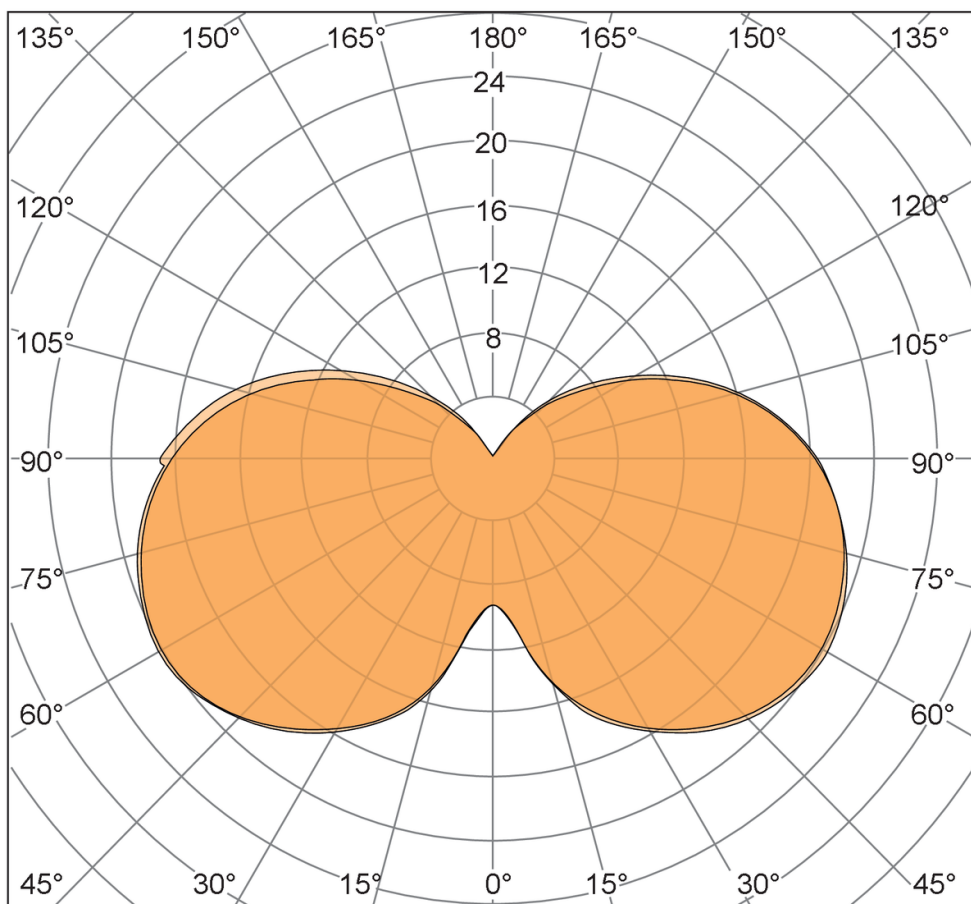


## 1-segment signal lamp

LED-Lamp/IO-Link/Button

### Diagrams and graphs

light intensity distribution curve



$\eta=20\%$

light intensity distribution curve: red

1000 lm

operating efficiency = 20%

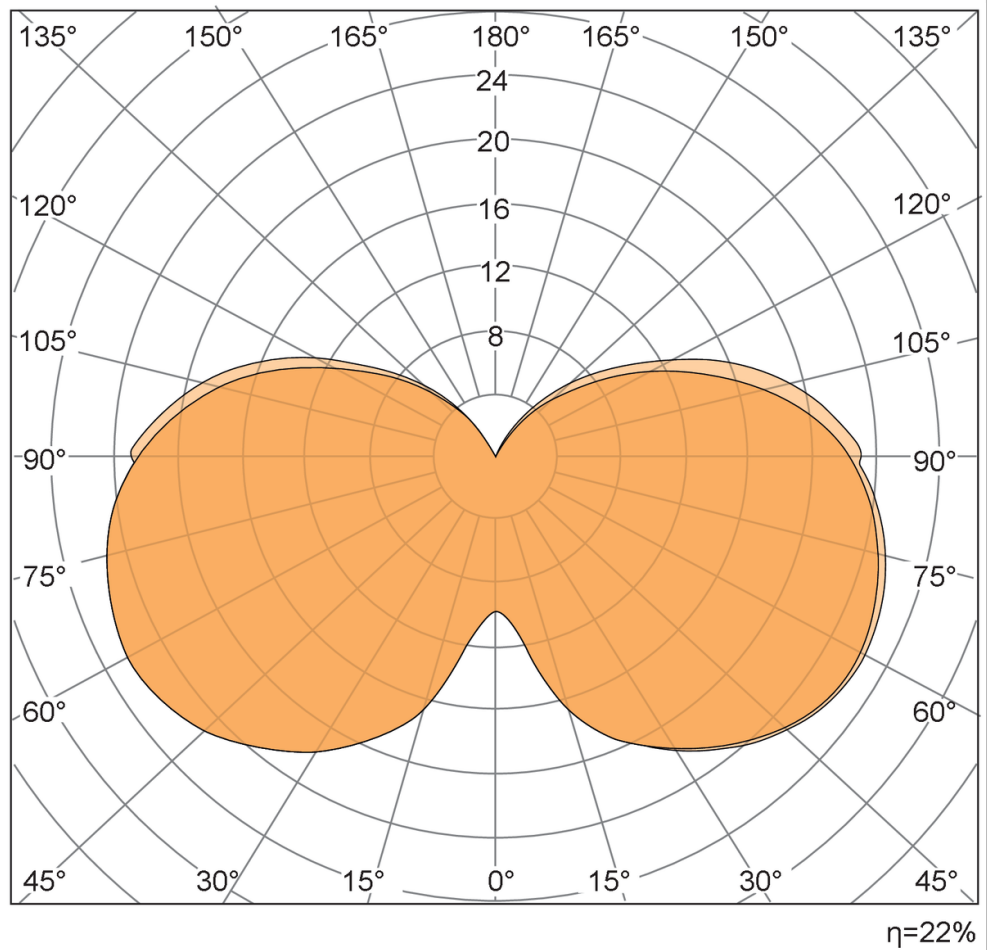
# DV2121



## 1-segment signal lamp

LED-Lamp/IO-Link/Button

light intensity distribution curve



light intensity distribution curve: green

1000 lm

operating efficiency = 22%

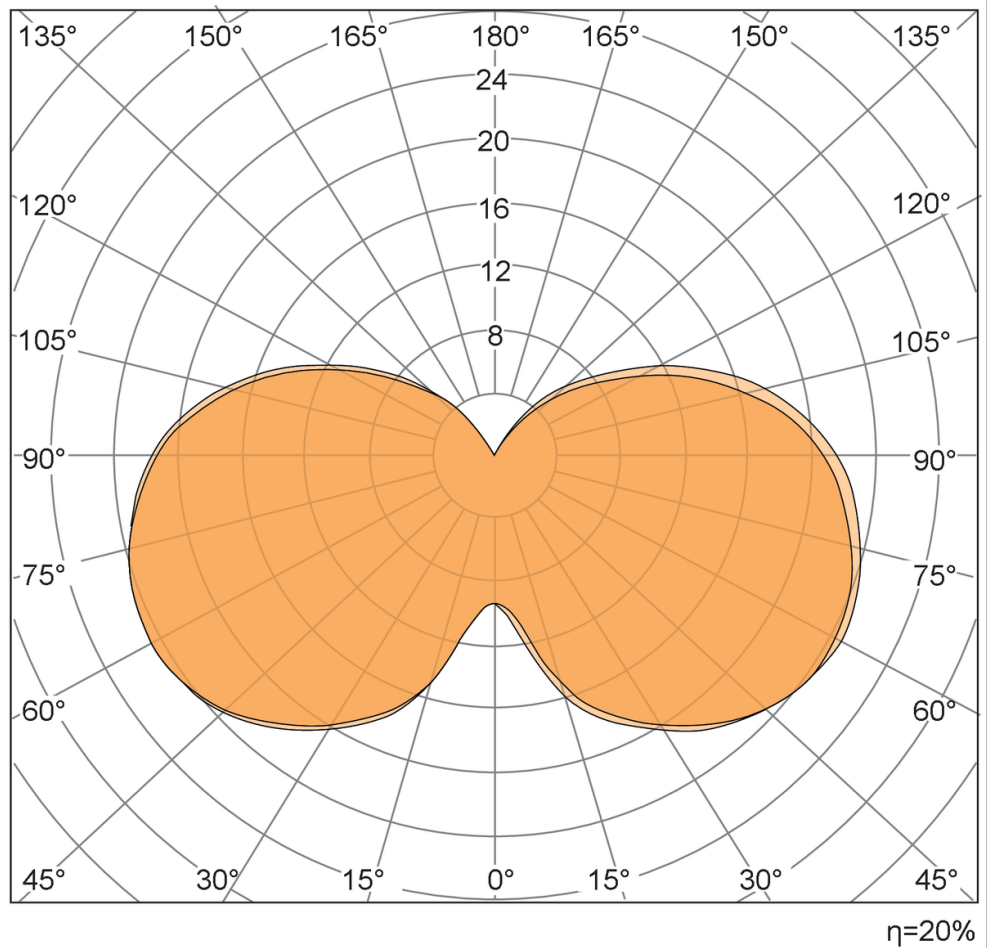
# DV2121



## 1-segment signal lamp

LED-Lamp/IO-Link/Button

light intensity distribution curve



light intensity distribution curve: blue

1000 lm

operating efficiency = 20%

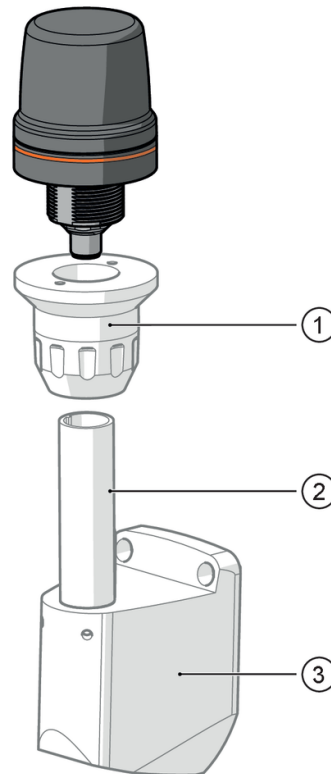
# DV2121



## 1-segment signal lamp

LED-Lamp/IO-Link/Button

wall mounting



- 1 E89080 not supplied
- 2 E89065, E89066, E89067 not supplied
- 3 E89061 not supplied

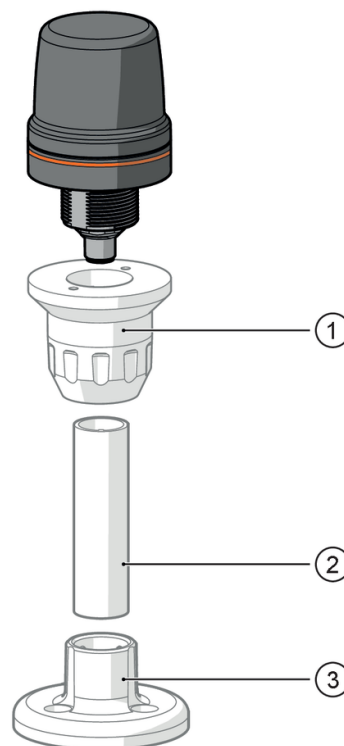
# DV2121

## 1-segment signal lamp

LED-Lamp/IO-Link/Button



base mounting



- 1 E89080 not supplied
- 2 E89065, E89066, E89067 not supplied
- 3 E89060 not supplied