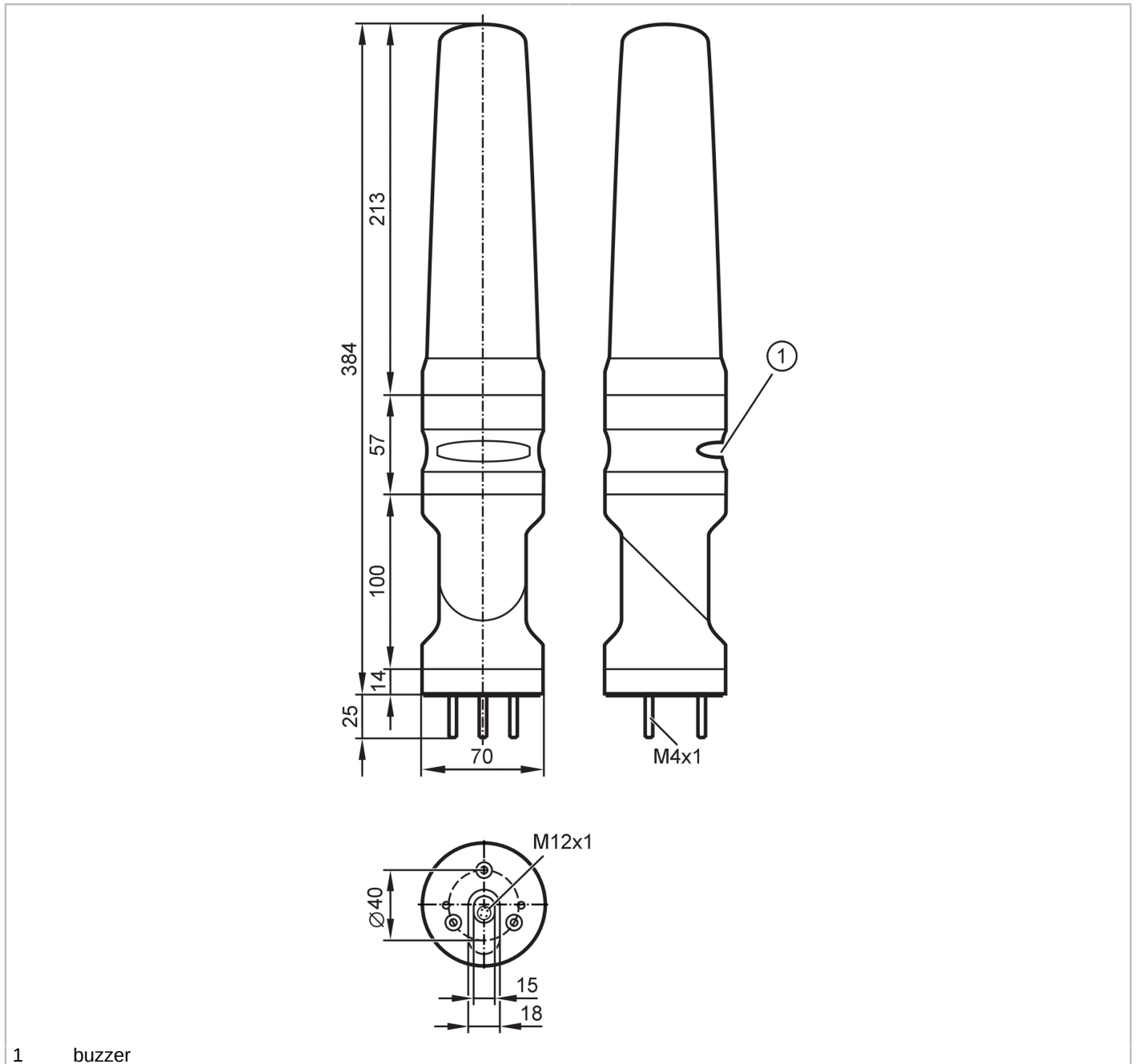


# DV2910

## 20-LED light tower

LED-Tower-20-a/IOL/BRA+BUZ



1 buzzer



Application	
Application	signaling machine conditions
Electrical data	
Operating voltage [V]	18...30 DC; (to SELV/PELV ; "supply class 2" to cURus)
Nominal voltage DC [V]	24
Current consumption [mA]	< 200
Switch-on peak current [mA]	500; (2 ms; 400 mA: 50 ms)
Inputs	
Input current High [mA]	6

# DV2910



## 20-LED light tower

LED-Tower-20-a/IOL/BRA+BUZ

Interfaces	
Communication interface	IO-Link
Transmission type	COM2 (38,4 kBaud)
IO-Link revision	1.1
SDCI standard	IEC 61131-9
Profiles	Common - I&D   Identification and Diagnosis
SIO mode	yes
Required master port class	A
Min. process cycle time [ms]	2.7
Supported DeviceIDs	<b>Type of operation</b>   <b>DeviceID</b>
	default   1533
Operating conditions	
Ambient temperature [°C]	-25...50
Storage temperature [°C]	-40...75
Max. relative air humidity [%]	90
Air pressure [kPa]	< 106
Max. height above sea level [m]	2000
Protection	IP 54
Tests / approvals	
MTTF [years]	197
Mechanical data	
Weight [g]	593.9
Type of mounting	Mounting base
Dimensions [mm]	Ø 70 / L = 384
Material	housing: ABS; lens: PC
Displays / operating elements	
Display	LED segment   20 x LEDs, multi-color
Acoustic signal	buzzer
Max. sound pressure [dB]	85
Accessories	
Accessories (optional)	mounting base, E89060
	wall bracket, E89061
	Mounting adapter, E89063
	bracket with lateral cable entry, E89064
	mounting tube, E89065
	mounting tube, E89066
	mounting tube, E89067
Remarks	
Remarks	Further information is available in the manual.
Pack quantity	1 pcs.

# DV2910



## 20-LED light tower

LED-Tower-20-a/IOL/BRA+BUZ

### Electrical connection - plug

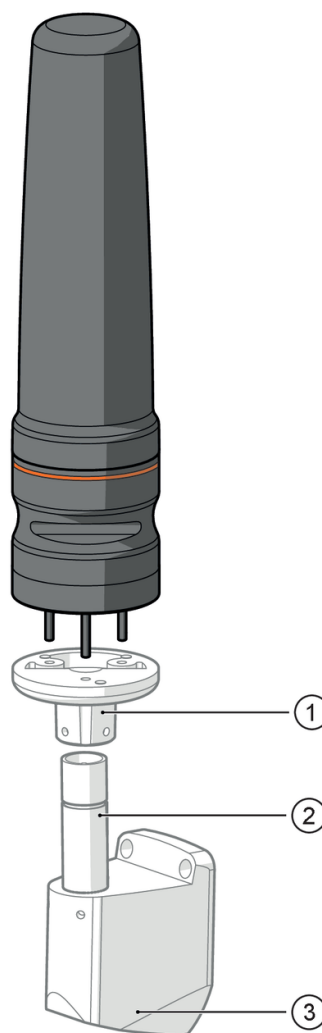
Connector: M12; coding: A



1	UB+
2	not used
3	UB-
4	IO-Link (C/Q)

### Diagrams and graphs

wall mounting



- 1 E89060 not supplied
- 2 E89065, E89066, E89067 not supplied
- 3 E89061 not supplied

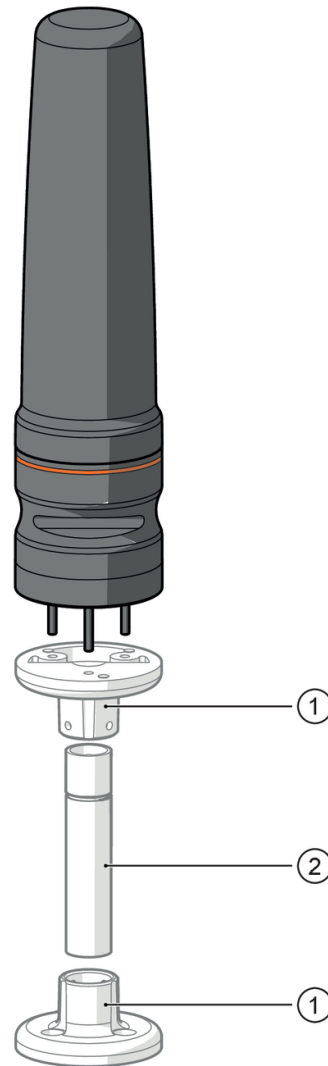
# DV2910

## 20-LED light tower

LED-Tower-20-a/IOL/BRA+BUZ



base mounting



- 1 E89060 not supplied
- 2 E89065, E89066, E89067 not supplied

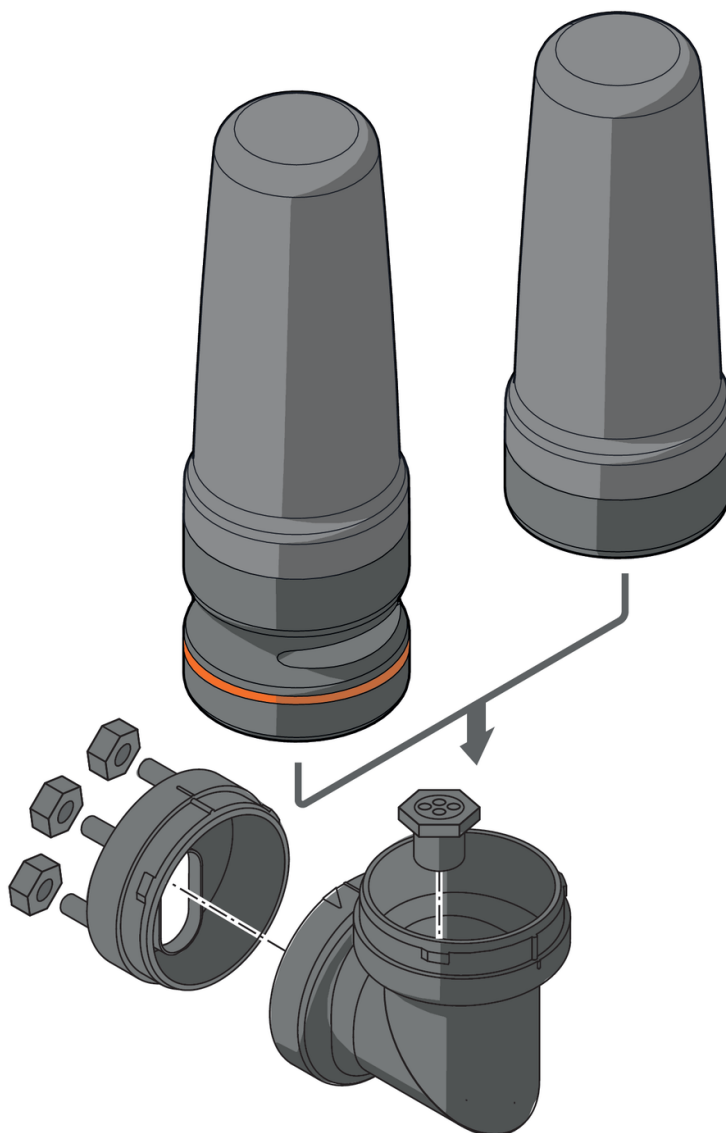
# DV2910

## 20-LED light tower

LED-Tower-20-a/IOL/BRA+BUZ



### Installation



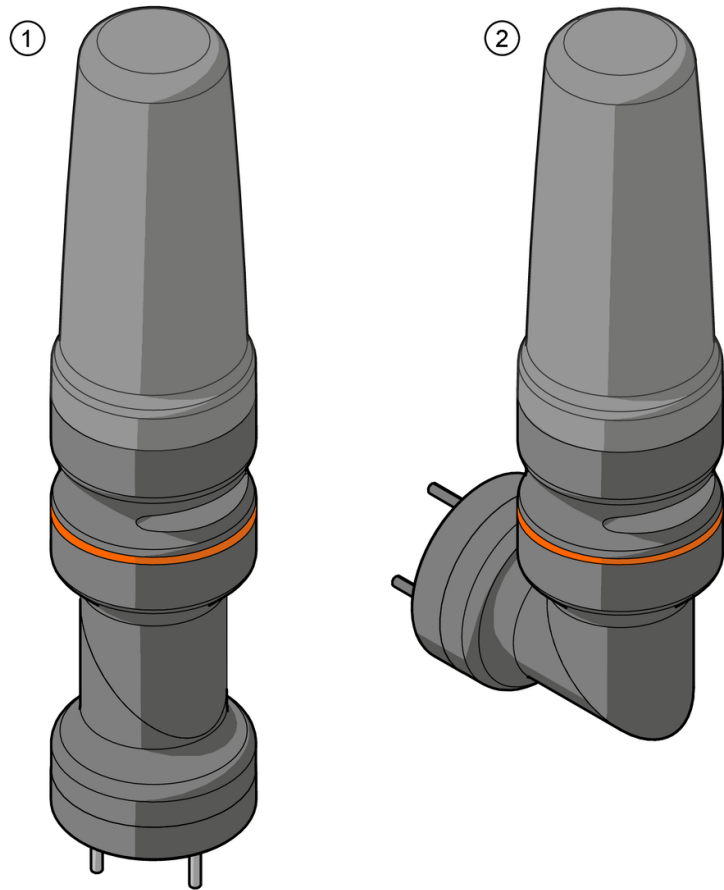
# DV2910

## 20-LED light tower

LED-Tower-20-a/IOL/BRA+BUZ



### Installation



- 1 mounting on a horizontal surface
- 2 mounting on a vertical surface