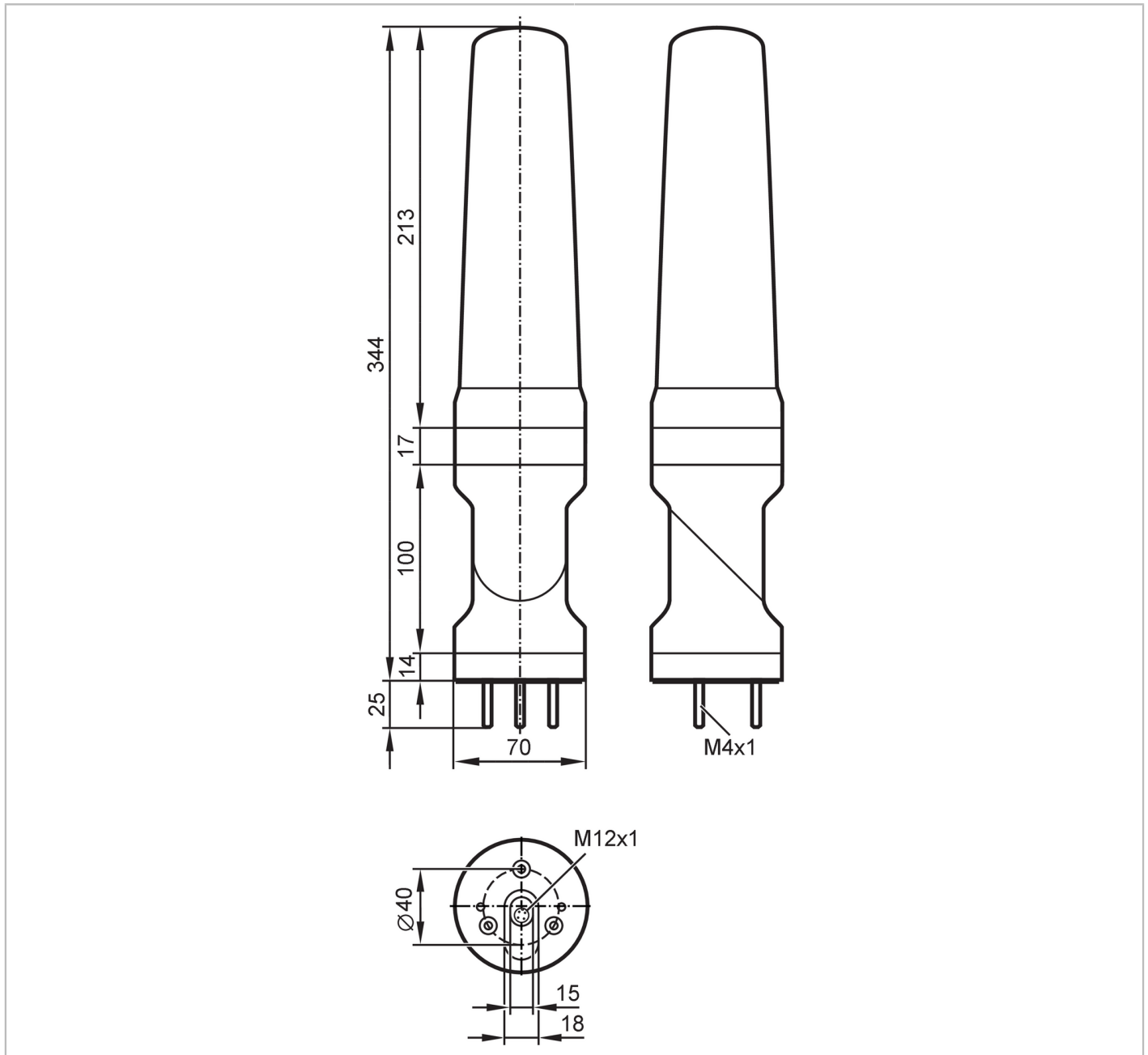


DV2500



5-segment light tower with IO-Link control

LED-Tower-5/IOL/Bracket



Application	
Application	signaling machine conditions
Electrical data	
Operating voltage [V]	18...30 DC; (to SELV/PELV)
Nominal voltage DC [V]	24
Current consumption [mA]	< 200
Inputs	
Input current High [mA]	6
Interfaces	
Communication interface	IO-Link

DV2500



5-segment light tower with IO-Link control

LED-Tower-5/IOL/Bracket

Transmission type	COM2 (38,4 kBaud)						
IO-Link revision	1.1						
SDCI standard	IEC 61131-9						
SIO mode	yes						
Required master port class	A						
Min. process cycle time [ms]	8						
Supported DeviceIDs	<table border="1"><thead><tr><th>Type of operation</th><th>DeviceID</th></tr></thead><tbody><tr><td>Default</td><td>841</td></tr><tr><td>Status B</td><td>1075</td></tr></tbody></table>	Type of operation	DeviceID	Default	841	Status B	1075
Type of operation	DeviceID						
Default	841						
Status B	1075						

Operating conditions	
Ambient temperature [°C]	-25...50
Storage temperature [°C]	-40...75
Max. relative air humidity [%]	90
Air pressure [kPa]	< 106
Max. height above sea level [m]	2000
Protection	IP 65

Tests / approvals	
MTTF [years]	438

Mechanical data	
Weight [g]	586
Type of mounting	Mounting base
Dimensions [mm]	Ø 70 / L = 344
Material	housing: ABS; lens: PC

Displays / operating elements	
Display	LED segment 5 x 4 LED

Accessories	
Accessories (optional)	mounting base, E89060
	wall bracket, E89061
	Mounting adapter, E89063
	bracket with lateral cable entry, E89064
	mounting tube, E89065
	mounting tube, E89066
	mounting tube, E89067

Remarks	
Remarks	Further information is available in the manual.
Pack quantity	1 pcs.

Electrical connection - plug

Connector: M12; coding: A



1	UB+
2	not used
3	UB-
4	IO-Link (C/Q)

DV2500

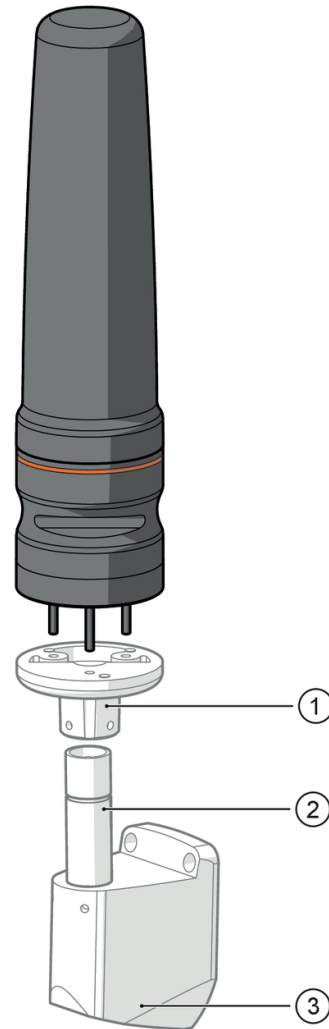


5-segment light tower with IO-Link control

LED-Tower-5/IO/Bracket

Diagrams and graphs

wall mounting



- 1 E89060 not supplied
- 2 E89065, E89066, E89067 not supplied
- 3 E89061 not supplied

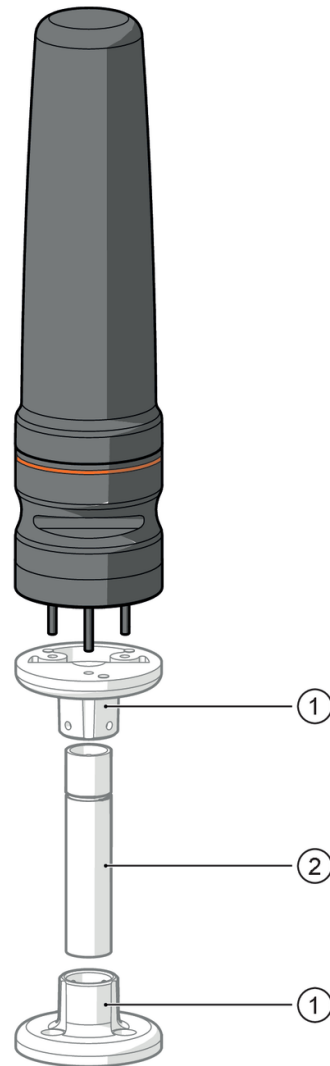
DV2500



5-segment light tower with IO-Link control

LED-Tower-5/IO/Bracket

base mounting



- 1 E89060 not supplied
- 2 E89065, E89066, E89067 not supplied

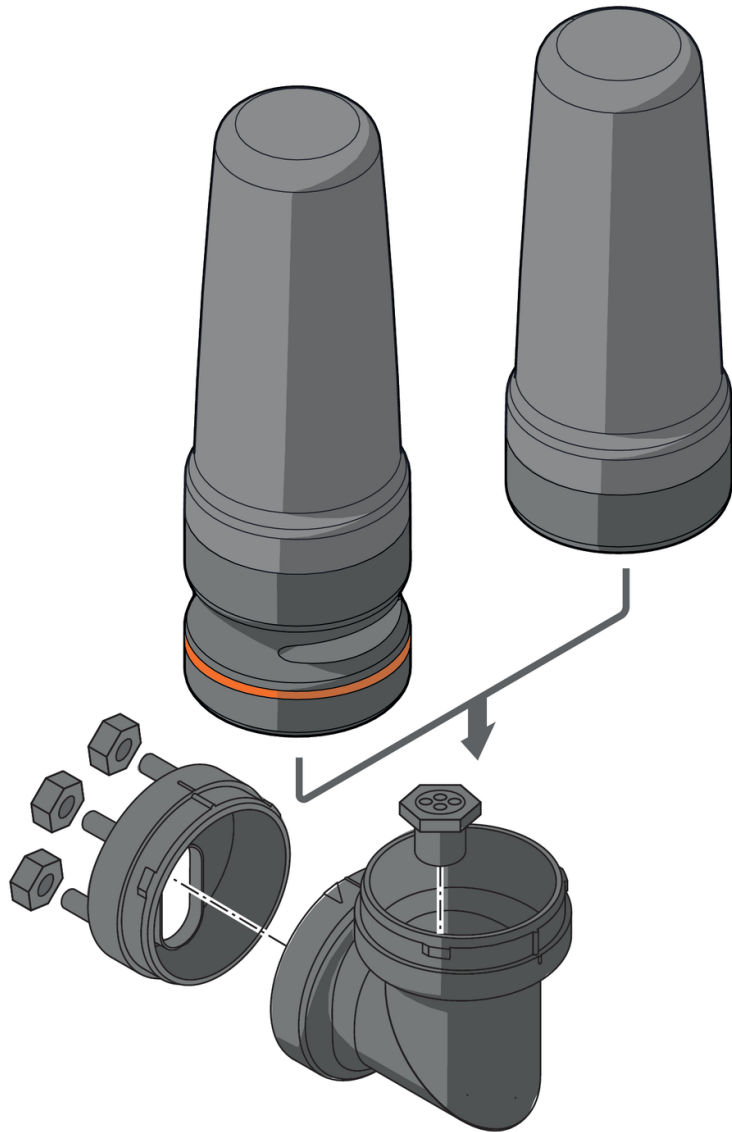
DV2500



5-segment light tower with IO-Link control

LED-Tower-5/IOL/Bracket

Installation



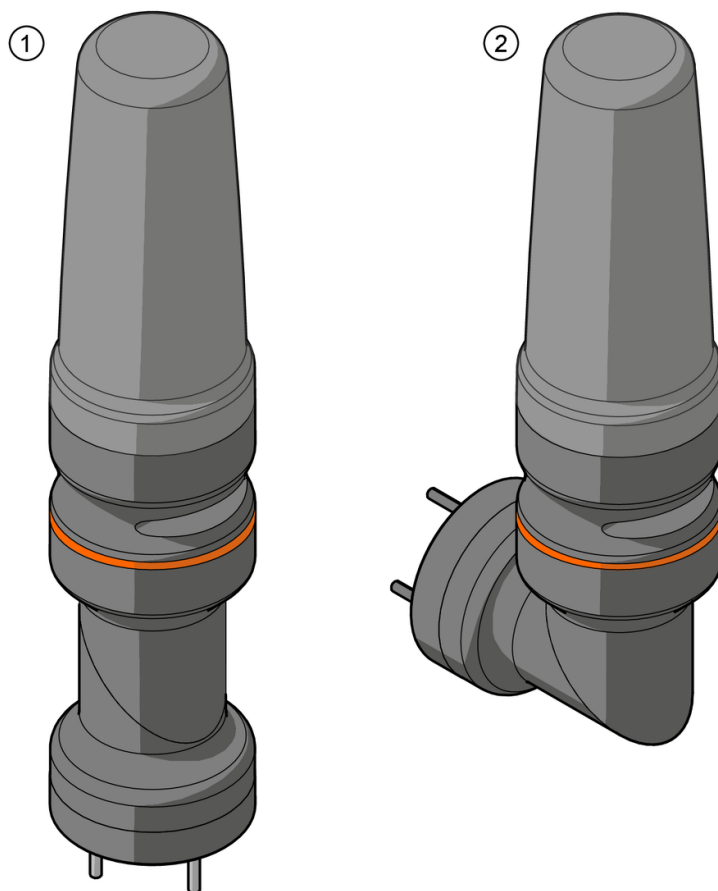
DV2500



5-segment light tower with IO-Link control

LED-Tower-5/IOL/Bracket

Installation



- 1 mounting on a horizontal surface
- 2 mounting on a vertical surface