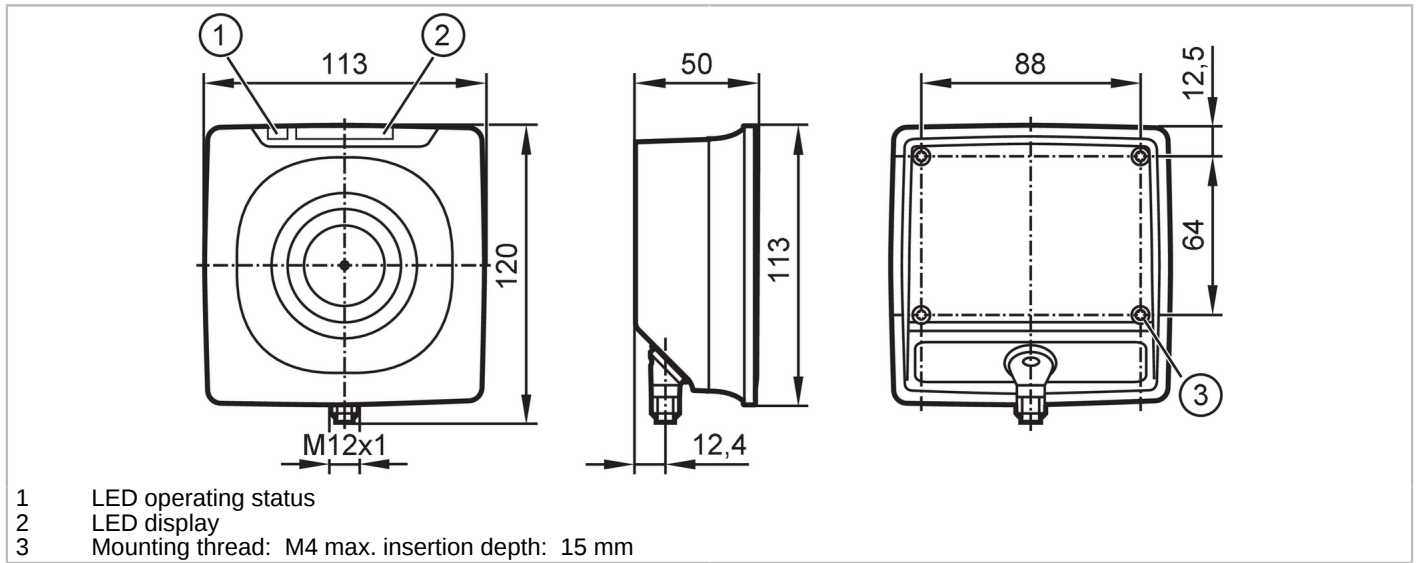


DTI600



RFID read/write head HF

DTRHF HLRWIOUS03



Application

Application	Detection of objects on transport equipment
Radio approval for	EU/RED; Japan; Australia; China; Taiwan; India; Singapore; USA; Canada; Brazil; Mexico; Malaysia; New Zealand; South Korea; Vietnam
Note on radio approval	The list of countries applying the European Radio Equipment Directive 2014/53/EU (RED) can be found under "Downloads".

Electrical data

Operating voltage [V]	19.2...28.8 DC
Current consumption [mA]	< 150
Protection class	III
Operating frequency [MHz]	13,56
RFID standard	ISO 15693

Monitoring range

Distance write/read head front [mm]	400	
Distance write/read head side [mm]	600	
Distance to the ID tag [mm]	referred to the ID tag E80384 :	< 190
	referred to an ISO card E80407 :	< 230

Interfaces

Communication interface	IO-Link	
Transmission type	COM2 (38,4 kBaud)	
IO-Link revision	1.1	
SDCI standard	IEC 61131-9	
Profiles	Smart Sensor - SSP 0	Generic Profiled Sensor
Function		Device identification
SIO mode	no	
Required master port class	A	
Min. process cycle time [ms]	22	

DTI600



RFID read/write head HF

DTRHF HLRWIOUS03

Supported DeviceIDs	Type of operation	DeviceID
	default	967

Operating conditions

Ambient temperature	[°C]	-20...60
Storage temperature	[°C]	-25...80
Protection		IP 67

Tests / approvals

Shock resistance	EN 60068-2-27	40 g 6 ms / bump
	EN 60068-2-27	50 g 11 ms / single shock
Vibration resistance	EN 60068-2-6	2 g 10...150 Hz

Mechanical data

Weight	[g]	456
Dimensions	[mm]	120 x 50 x 113
Material		PBT; PC; stainless steel

Displays / operating elements

Display	Power	1 x LED, green
	tag communication	4 x LED display, yellow signal strength ID tag

Remarks

Remarks	For the distances to other ID tags see the respective data sheet (E803xx)	
Pack quantity	1 pcs.	

Electrical connection

Connector: 1 x M12; coding: A



Connection

