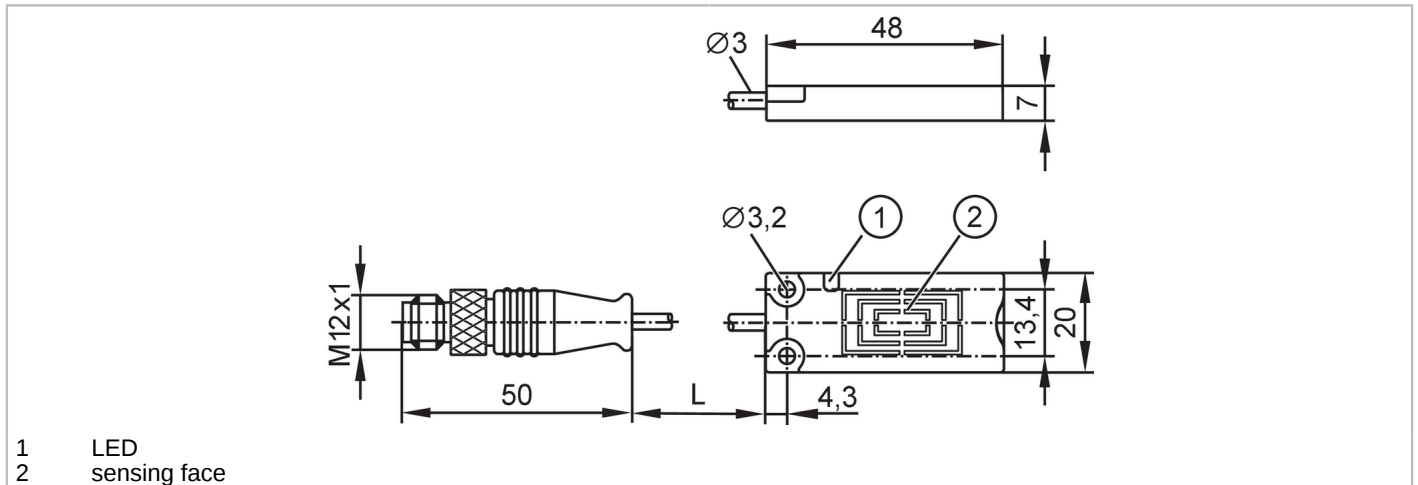


DTI515



RFID read/write head HF

DTRHF KQRWIOUS03



Application

Application	Detection of objects on transport equipment
Radio approval for	USA; Canada; EU/RED; Australia; Japan; China; Taiwan; India; Malaysia; Brazil; Mexico; New Zealand; South Korea; Vietnam; Singapore
Note on radio approval	The list of countries applying the European Radio Equipment Directive 2014/53/EU (RED) can be found under "Downloads".

Electrical data

Operating voltage [V]	18...30 DC
Current consumption [mA]	< 60
Protection class	III
Operating frequency [MHz]	13,56
RFID standard	ISO 15693

Monitoring range

Distance write/read head front [mm]	170
Distance write/read head side [mm]	160
Distance to the ID tag [mm]	referred to 30 mm coin tag and antenna installed on metal, I-CODE SLI : ≤ 32

Interfaces

Communication interface	IO-Link
Transmission type	COM2 (38,4 kBaud)
IO-Link revision	1.1
SDCI standard	IEC 61131-9
Profiles	Smart Sensor - SSP 0 Generic Profiled Sensor
Function	Device identification
SIO mode	no
Required master port class	A
Min. process cycle time [ms]	22
Supported DeviceIDs	Type of operation default
	DeviceID 967

DTI515



RFID read/write head HF

DTRHF KQRWIOUS03

Operating conditions		
Ambient temperature	[°C]	-20...60
Storage temperature	[°C]	-25...80
Protection		IP 67; IP 69K

Tests / approvals		
Shock resistance	EN 60068-2-27	40 g 6 ms / repetitive
	EN 60068-2-27	50 g 11 ms / not repetitive
Vibration resistance	EN 60068-2-6	20 g 10...2000 Hz
MTTF	[years]	409
UL approval	Ta	-20...60 °C
	Enclosure type	Type 1
	voltage supply	Limited Voltage/Current
	File number UL	E205959

Mechanical data		
Weight	[g]	77.5
Housing		rectangular
Mounting		non-flush mountable
Dimensions	[mm]	20 x 7 x 48
Material		PBT; TPU (urethane); stainless steel

Displays / operating elements		
Display	Power	1 x LED, green
	tag communication	1 x LED, yellow

Remarks		
Pack quantity		1 pcs.

Electrical connection		
Cable: 1 m, PUR; 3 x 0.14 mm ²		

Electrical connection - plug		
Connector: 1 x M12; coding: A		



Connection

