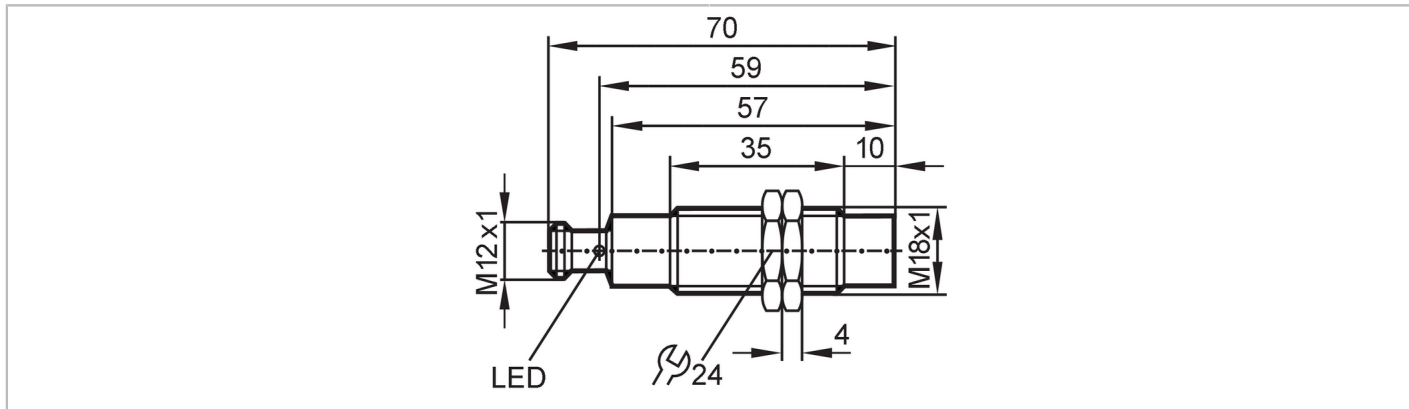


DTI425



RFID read/write head HF

DTRHF GNRWIOUS03



Application	
Application	Detection of objects on transport equipment
Radio approval for	USA; Canada; EU/RED; Australia; China; Singapore; Japan; Taiwan; India
Note on radio approval	The list of countries applying the European Radio Equipment Directive 2014/53/EU (RED) can be found under "Downloads".
Electrical data	
Operating voltage [V]	19.2...28.8 DC
Current consumption [mA]	< 50
Protection class	III
Operating frequency [MHz]	13,56
RFID standard	ISO 15693
Monitoring range	
Distance to the ID tag [mm]	referred to 30 mm coin tag; I-CODE SLI : ≤ 40
Interfaces	
Communication interface	IO-Link
Transmission type	COM2 (38,4 kBaud)
IO-Link revision	1.1
SDCI standard	IEC 61131-9
Profiles	Smart Sensor - SSP 0 Generic Profiled Sensor
	Function Device identification
SIO mode	no
Required master port class	A
Min. process cycle time [ms]	22
Supported DeviceIDs	Type of operation DeviceID
	default 967
Operating conditions	
Ambient temperature [°C]	-20...60
Storage temperature [°C]	-25...80
Protection	IP 67; IP 69K

DTI425



RFID read/write head HF

DTRHF GNRWIOUS03

Tests / approvals		
Shock resistance	EN 60068-2-27	40 g 6 ms / repetitive
	EN 60068-2-27	50 g 11 ms / not repetitive
Vibration resistance	EN 60068-2-6	20 g 10...2000 Hz
Electrical safety	EN 61010-2-201 : 2013 +AC:2013	
MTTF	[years]	556

Mechanical data		
Weight	[g]	106.25
Housing		Threaded type
Mounting		non-flush mountable
Dimensions	[mm]	M18 x 1 / L = 70
Thread designation		M18 x 1
Material		housing: stainless steel (1.4301 / 304); Protective cover: PPS; plug insert: PEI

Displays / operating elements		
Display	Power	1 x LED, green
	tag communication	1 x LED, yellow

Accessories	
Items supplied	lock nuts: 2 x M18

Remarks	
Pack quantity	1 pcs.

Electrical connection

Connector: 1 x M12; coding: A



Connection

