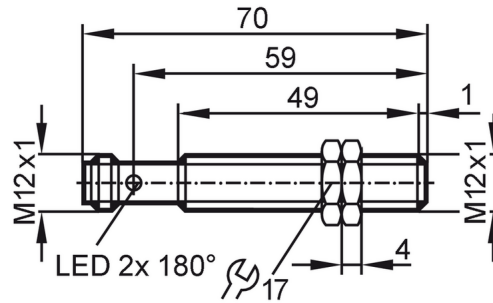


# DTI410



## RFID read/write head HF

DTRHF FBRWIOUS03



Application	
Application	Detection of objects on transport equipment
Radio approval for	USA; Canada; EU/RED; Australia; Japan; China; Taiwan; India; Singapore
Note on radio approval	The list of countries applying the European Radio Equipment Directive 2014/53/EU (RED) can be found under "Downloads".
Electrical data	
Operating voltage [V]	19.2...28.8 DC
Current consumption [mA]	< 50
Protection class	III
Operating frequency [MHz]	13,56
RFID standard	ISO 15693
Monitoring range	
Distance write/read head front [mm]	40
Distance write/read head side [mm]	20
Distance to the ID tag [mm]	referred to 20 mm coin tag; I-CODE SLI : ≤ 12
Interfaces	
Communication interface	IO-Link
Transmission type	COM2 (38,4 kBaud)
IO-Link revision	1.1
SDCI standard	IEC 61131-9
Profiles	Smart Sensor - SSP 0      Generic Profiled Sensor
	Function      Device identification
SIO mode	no
Required master port class	A
Min. process cycle time [ms]	22
Supported DeviceIDs	<b>Type of operation</b> <b>DeviceID</b>
	default      967
Operating conditions	
Ambient temperature [°C]	-20...60
Storage temperature [°C]	-25...80
Protection	IP 67; IP 69K

# DTI410



## RFID read/write head HF

DTRHF FBRWIOUS03


Tests / approvals		
Shock resistance	EN 60068-2-27	40 g 6 ms / repetitive
	EN 60068-2-27	50 g 11 ms / not repetitive
Vibration resistance	EN 60068-2-6	20 g 10...2000 Hz
MTTF [years]		610.46
UL approval	Ta	-20...60 °C
	Enclosure type	Type 1
	voltage supply	Limited Voltage/Current
	File number UL	E205959

Mechanical data		
Weight [g]		111
Housing		Threaded type
Mounting		flush mountable
Dimensions [mm]		M12 x 1 / L = 70
Thread designation		M12 x 1
Material		housing: stainless steel; Protective cover: PPS

Displays / operating elements		
Display	Power	1 x LED, green
	tag communication	1 x LED, yellow

Accessories		
Items supplied		lock nuts: 2 x M12

Remarks		
Pack quantity		1 pcs.

Electrical connection		
Connector: 1 x M12; coding: A		
		

Connection		
