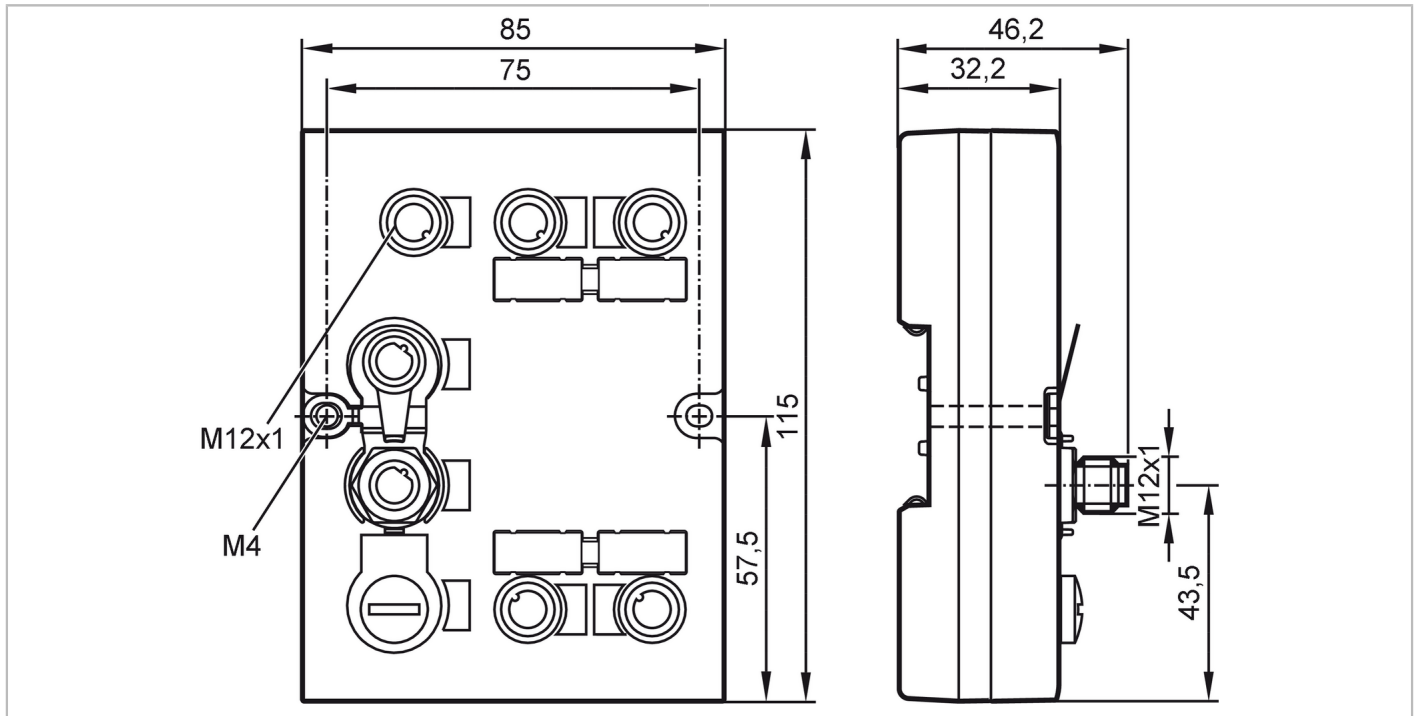


DTE104



RFID evaluation unit LF/HF

DTELF/HFABRWENUS00



Application		
Application	for up to 4 read/write heads type ANT4xx/ANT5xx/ANT600	
Electrical data		
Operating voltage [V]	18...30 DC	
Current consumption [mA]	< 3000	
Inputs / outputs		
Number of inputs and outputs	Number of digital outputs: 4	
Outputs		
Number of digital outputs	4	
Max. current load per output [mA]	500; (IO 1,2; IO 3,4: 1000 mA)	
Interfaces		
Communication interface	Ethernet	
Factory settings	IP address: 192.168.0.79	
	subnet mask: 255.255.255.0	
	gateway IP address: 192.168.0.100	
Ethernet - TCP/IP		
Protocol	TCP/IP	
Operating conditions		
Ambient temperature [°C]	-20...60	
Storage temperature [°C]	-20...85	
Protection	IP 67	
Tests / approvals		
Shock resistance	IEC 60028-2-27	15 g 11 ms
Vibration resistance	IEC 60028-2-6	±1.6 mm (17...18 Hz) / 2 g (10...150 Hz)

DTE104



RFID evaluation unit LF/HF

DTELF/HFABRWENUS00

MTTF	[years]	108.28
------	---------	--------

Mechanical data

Weight	[g]	389
Housing		rectangular
Type of mounting		Mounting on DIN rail; (TH35 (EN 60715))
Dimensions	[mm]	115 x 85 x 46.2
Material		Upper part: PA Grivory GV5H orange; Upper part: TPE; lower part: GD-AISi12

Displays / operating elements

Display	voltage supply	1 x LED, green
		1 x LED, yellow
	Ethernet TCP/IP	2 x LED, red/green
	Ethernet	1 x LED, green
		1 x LED, yellow
	Inputs / outputs	1 x LED, green
	1 x LED, yellow	

Accessories

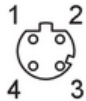
Items supplied	Protective cap: M12, E73004
----------------	-----------------------------

Remarks

Pack quantity	1 pcs.
---------------	--------

Electrical connection - Ethernet

Connector: 2 x M12; coding: D

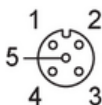


Port 1/2

1	TD+
2	RD+
3	TD-
4	RD-

Electrical connection - Process connection

Connector: 4 x M12; coding: A

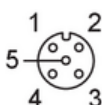


IO 1...4

1	L+
2	IN (I/Q)
3	L-
4	OUT (C/Qo); IN (C/Qi)
5	n.c.

Electrical connection - voltage supply

Connector: 1 x M12; coding: A



DTE104



RFID evaluation unit LF/HF

DTELF/HFABRWENUS00

AUX

1	24 V DC
2	n.c.
3	0 V
4	n.c.
5	n.c.