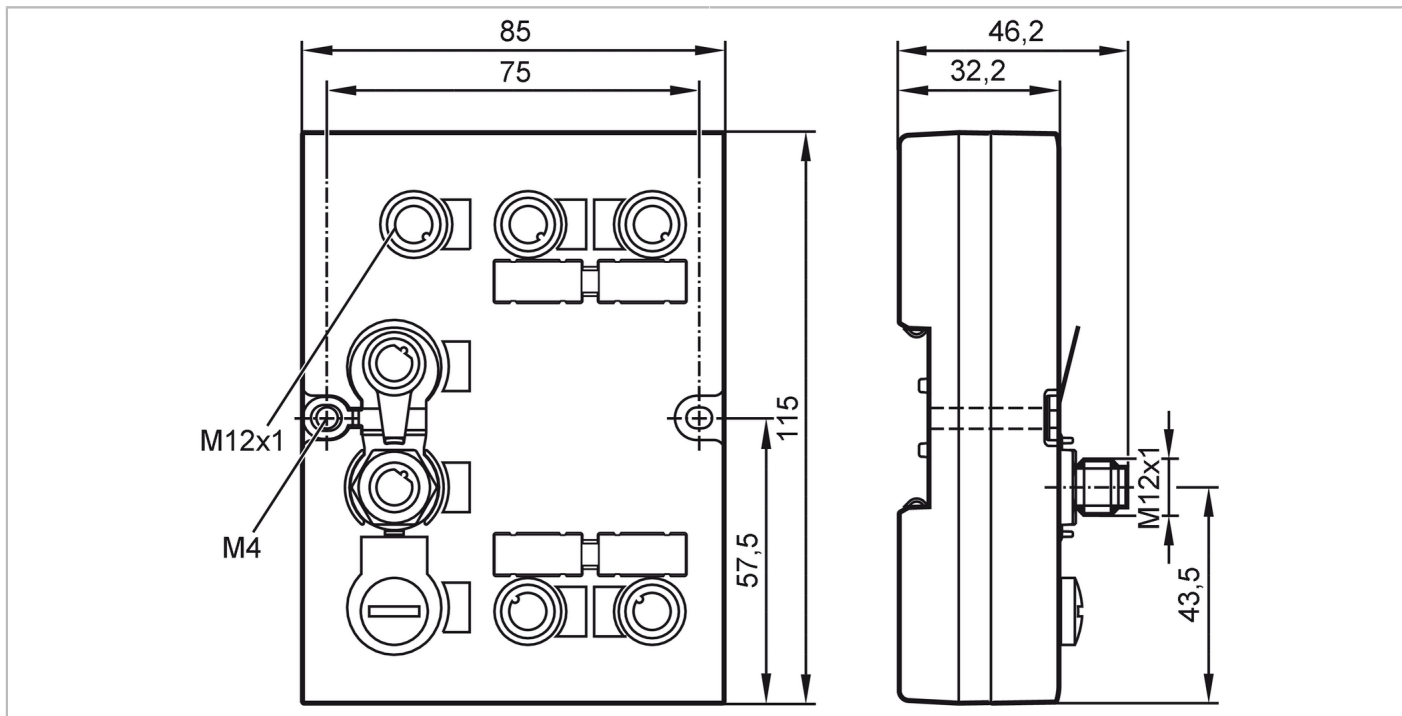


# DTE103



## RFID evaluation unit LF/HF

DTELF/HFABRWECUS00



Application	
Application	for up to 4 read/write heads type ANT4xx/ANT5xx/ANT600
Electrical data	
Operating voltage [V]	18...30 DC
Current consumption [mA]	< 3000
Inputs / outputs	
Number of inputs and outputs	Number of digital outputs: 4
Outputs	
Number of digital outputs	4
Max. current load per output [mA]	500; (IO 1,2; IO 3,4: 1000 mA)
Interfaces	
Communication interface	Ethernet
Factory settings	IP address: 192.168.0.79 subnet mask: 255.255.255.0 gateway IP address: 192.168.0.100
Ethernet - EtherCAT	
Protocol	EtherCAT
Operating conditions	
Ambient temperature [°C]	-20...60
Storage temperature [°C]	-20...85
Protection	IP 67
Tests / approvals	
Shock resistance	IEC 60028-2-27 15 g 11 ms
Vibration resistance	IEC 60028-2-6 ±1.6 mm (17...18 Hz) / 2 g (10...150 Hz)

# DTE103



## RFID evaluation unit LF/HF

DTELF/HFABRWECUS00

MTTF	[years]	108.28
------	---------	--------

### Mechanical data

Weight	[g]	394
Housing		rectangular
Type of mounting		Mounting on DIN rail; (TH35 (EN 60715))
Dimensions	[mm]	115 x 85 x 46.2
Material		Upper part: PA Grivory GV4H orange; Upper part: TPE; lower part: GD-ALSi12

### Displays / operating elements

Display	voltage supply	1 x LED, green
		1 x LED, yellow
	EtherCAT RUN/ERR	2 x LED, red/green
	EtherCAT IN/OUT	1 x LED, green
		1 x LED, yellow
	Inputs / outputs	1 x LED, green
		1 x LED, yellow

### Accessories

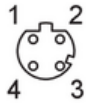
Items supplied	Protective cap: M12, E73004
----------------	-----------------------------

### Remarks

Remarks	EtherCAT is a registered trademark and patented technology, licensed by Beckhoff Automation GmbH, Germany
Pack quantity	1 pcs.

### Electrical connection - Ethernet

Connector: 2 x M12; coding: D; Contacts: 4

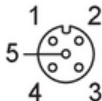


### IN / OUT

1	TD+
2	RD+
3	TD-
4	RD-

### Electrical connection - Process connection

Connector: 4 x M12; coding: A; Contacts: 5



### IO 1...4

1	L+
2	IN (I/Q)
3	L-
4	OUT (C/Qo); IN (C/Qi)
5	n.c.

# DTE103

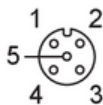


## RFID evaluation unit LF/HF

DTELF/HFABRWECUS00

### Electrical connection - voltage supply

Connector: 1 x M12; coding: A; Contacts: 2



### AUX

1	24 V DC
2	n.c.
3	0 V
4	n.c.
5	n.c.