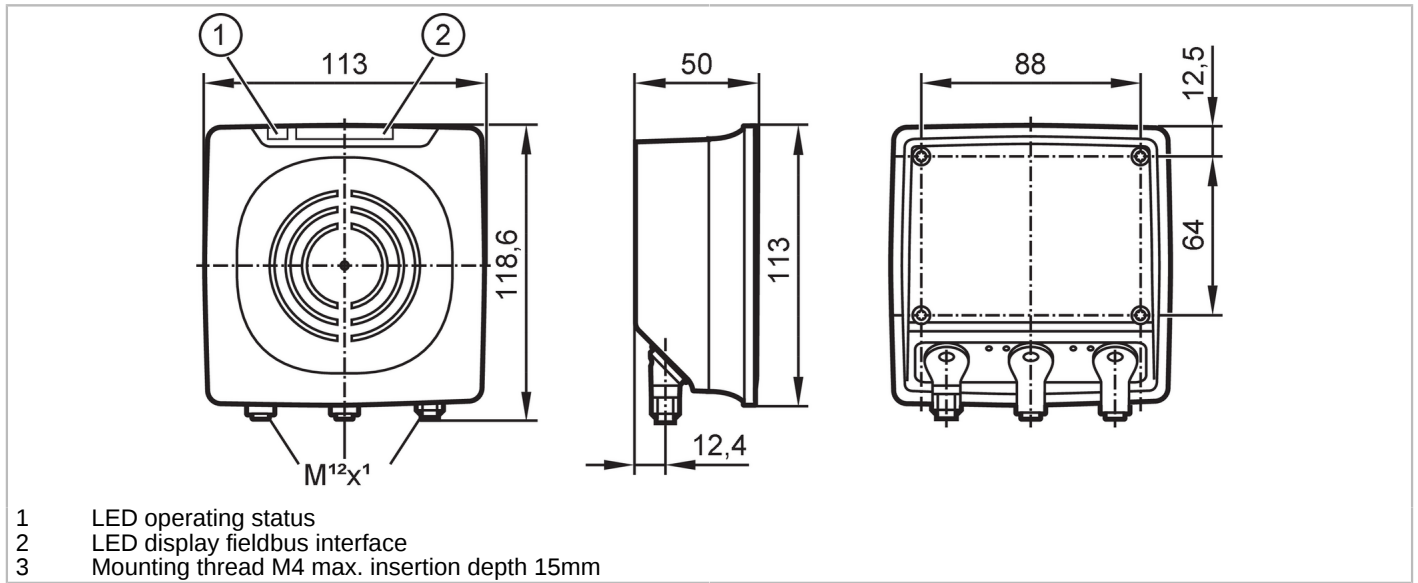


DTE902



Compact RFID device

DTRUHFA HLRWEIUS04



Application

Radio approval for	USA; Canada; Mexico
--------------------	---------------------

Electrical data

Operating voltage [V]	19.2...28.8 DC
Current consumption [mA]	500
Power consumption [W]	8.6
Protection class	III
Operating frequency [MHz]	902...928
RFID standard	EPC Class1 GEN2/ISO 18000-63
Transmission power EIRP [mW]	200; (maximum: 250 mW)

Inputs / outputs

Number of inputs and outputs	Number of digital outputs: 2
------------------------------	------------------------------

Outputs

Total number of outputs	2
Electrical design	push-pull
Number of digital outputs	2
Max. voltage drop switching output DC [V]	2
Max. current load per output [mA]	100; (max.)
Short-circuit protection	yes
Overload protection	yes

Interfaces

Communication interface	Ethernet
Ethernet - EtherNet/IP	
Protocol	EtherNet/IP
Usage type	Data transmission
Ethernet - TCP/IP	
Protocol	TCP/IP

DTE902



Compact RFID device

DTRUHFA HLRWEIUS04

Factory settings	IP address: 192.168.0.79
	subnet mask: 255.255.255.0
	gateway IP address: 192.168.0.100
Usage type	Parameter setting; Data transmission

Operating conditions

Ambient temperature	[°C]	-20...55
Note on ambient temperature		with mounting plate and cooling element: -20...60 °C
Storage temperature	[°C]	-25...80
Protection		IP 67

Tests / approvals

Shock resistance	IEC 60028-2-27	40 g (6 ms) / bump
		50 g (11 ms) / single shock
Vibration resistance	EN 60068-2-6	2 g (10...150 Hz)
MTTF	[years]	56

Mechanical data

Weight	[g]	693.3
Dimensions	[mm]	113 x 118.6 x 50
Material		lower part: aluminum; Upper part: PBT / PC; plug: stainless steel

Displays / operating elements

Display	voltage supply	1 x LED, green
	LED display	4 x LED, yellow signal strength ID tag
	status	2 x LED, green/red fieldbus interface
	status	2 x LED, green/yellow Ethernet

Remarks

Pack quantity	1 pcs.
---------------	--------

Electrical connection - Ethernet

Connector: 2 x M12; coding: D; Contacts: 4

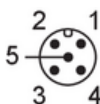


ETH1 / ETH2

1	TD+
2	RD+
3	TD-
4	RD-

Electrical connection - voltage supply

Connector: 1 x M12; coding: A; Contacts: 5



PWR

1	L+
2	digital input/output 2
3	L-
4	digital input/output 1
5	not used