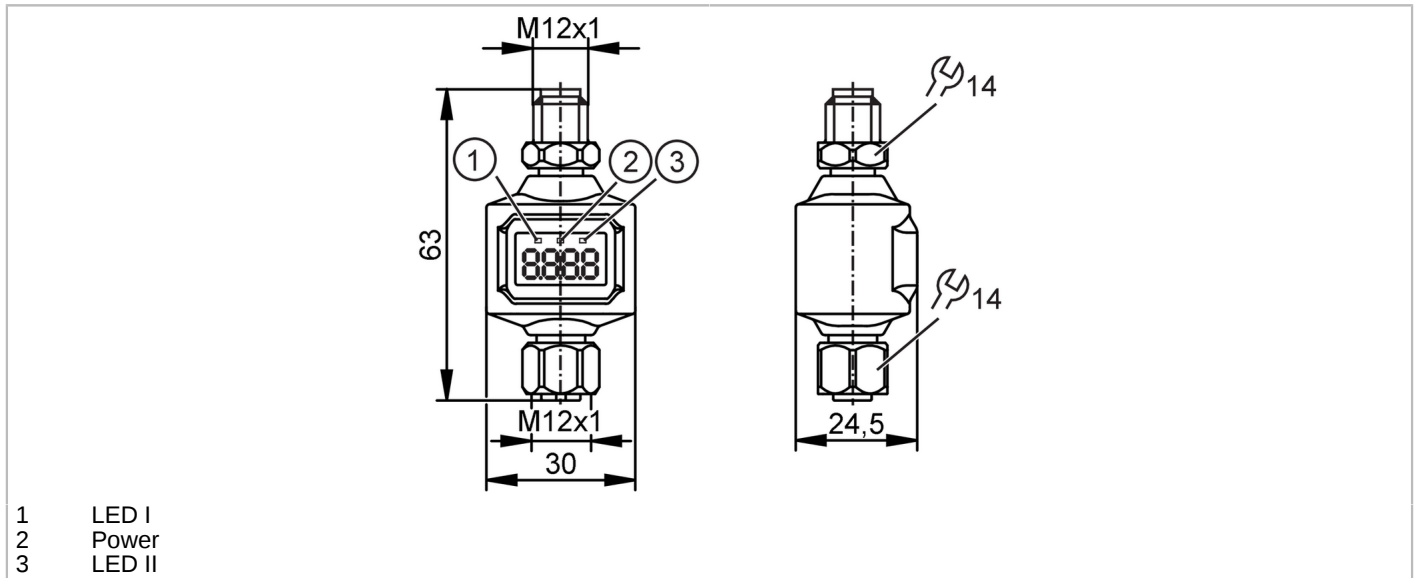


DP4200



Evaluation system and display for analog signals

ANLG THOLD DISP/4-20mA/IP69K



- 1 LED I
- 2 Power
- 3 LED II



Application

| | |
|-------------|--|
| Application | decentralized display, preprocessing and conversion of analog signals; for use in wet environments; indoor use |
|-------------|--|

Electrical data

| | |
|-----------------------------|---|
| Operating voltage [V] | 18...30 DC; ((in wet environments: 18...28 V) to SELV/PELV) |
| Nominal voltage DC [V] | 24 |
| Current consumption [mA] | 30...900 |
| Max. current load total [A] | 0.8 |

Inputs / outputs

| | |
|------------------------------|---|
| Number of inputs and outputs | Number of analog inputs: 1; Number of digital outputs: 1; Number of analog outputs: 1 |
|------------------------------|---|

Inputs

| | |
|-----------------------------|----------------------------|
| Sensor supply of the inputs | from the operating voltage |
| Number of analog inputs | 1 |
| Analog input (current) [mA] | 4...20 |
| Resolution of analog input | 10 Bit |

Outputs

| | |
|-----------------------------------|--|
| Number of digital outputs | 1 |
| Voltage range DC [V] | 10...30 |
| Output function | normally open / closed; (configurable) |
| Max. current load per output [mA] | 50 |
| Number of analog outputs | 1 |
| Analog current output [mA] | 4...20 |

Accuracy / deviations

| | |
|----------|--|
| Accuracy | 0.75; (% of the final value of the measuring range analog input) |
|----------|--|

Interfaces

| | |
|-------------------------|-------------------|
| Communication interface | IO-Link |
| Transmission type | COM2 (38,4 kBaud) |

DP4200



Evaluation system and display for analog signals

ANLG THOLD DISP/4-20mA/IP69K

| | | |
|------------------------------|--------------------------|-------------------------|
| IO-Link revision | 1.1 | |
| SDCI standard | IEC 61131-9 | |
| Profiles | Smart Sensor - SSP 0 | Generic Profiled Sensor |
| | Function | Device identification |
| | Function | Process data variable |
| | Function | Device diagnosis |
| SIO mode | yes | |
| Required master port class | A | |
| Process data analog | 1 | |
| Process data binary | 1 | |
| Min. process cycle time [ms] | 3.2 | |
| Supported DeviceIDs | Type of operation | DeviceID |
| | default | 610 |

| Operating conditions | | |
|---------------------------------|--|----------------|
| Ambient temperature [°C] | -25...60 | |
| Storage temperature [°C] | -25...70 | |
| Max. relative air humidity [%] | 90; (linearly decreasing to 50 % (40 °C); non condensing) | |
| Max. height above sea level [m] | 4000 | |
| Protection | IP 67; IP 69K | |
| Degree of soiling | 2 | |
| Chemical media | DIN EN ISO 175, Ecolab test method 40-1 | |
| | the following media were tested for 28 days at constant room temperature using the dipping test method | P3-topax 66 |
| | | P3-topax 990 |
| | | Topactive 200 |
| | | Topactive 500 |
| | | Topactive OKTO |

| Tests / approvals | | |
|-------------------|----------------|------------|
| MTTF [years] | 370 | |
| UL approval | Ta | max. 55 °C |
| | File number UL | E205959 |

| Mechanical data | | |
|--|---------------------------------|--|
| Weight [g] | 78.5 | |
| Weight (without accessories and packaging) [g] | 27 | |
| Housing | rectangular | |
| Dimensions [mm] | 63 x 30 x 24.5 | |
| Material | housing: PA | |
| Material nut | stainless steel (1.4404 / 316L) | |
| Sealing material | FKM | |



Evaluation system and display for analog signals

ANLG THOLD DISP/4-20mA/IP69K

| Displays / operating elements | | |
|-------------------------------|------------------|---|
| Display | Switching status | LED, yellow |
| | Power | LED, green |
| | | 7-segment LED display, red/green 4-digit configurable |
| | | digit height 6,8 mm |
| | | digit width 3,8 mm |

| Remarks | |
|---------------|---|
| Remarks | Further information is available in the manual. the device complies with overvoltage category II |
| Pack quantity | 1 pcs. |

Electrical connection - plug

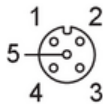
Connector: 1 x M12, straight; coding: A; Locking: stainless steel (1.4404 / 316L)



| | |
|---------|----------------|
| 1: L+ | supply voltage |
| 2: OUT2 | analog output |
| 3: L- | supply voltage |
| 4: OUT1 | IO-Link (C/Q) |

Electrical connection - Socket

Connector: 1 x M12, straight; coding: A; Locking: stainless steel (1.4404 / 316L); sealing: FKM



| | |
|--------------|---------------|
| 1: L+ | Sensor supply |
| 2: 4...20 mA | analog input |
| 3: L- | Sensor supply |
| 4: | not used |
| 5: | not used |