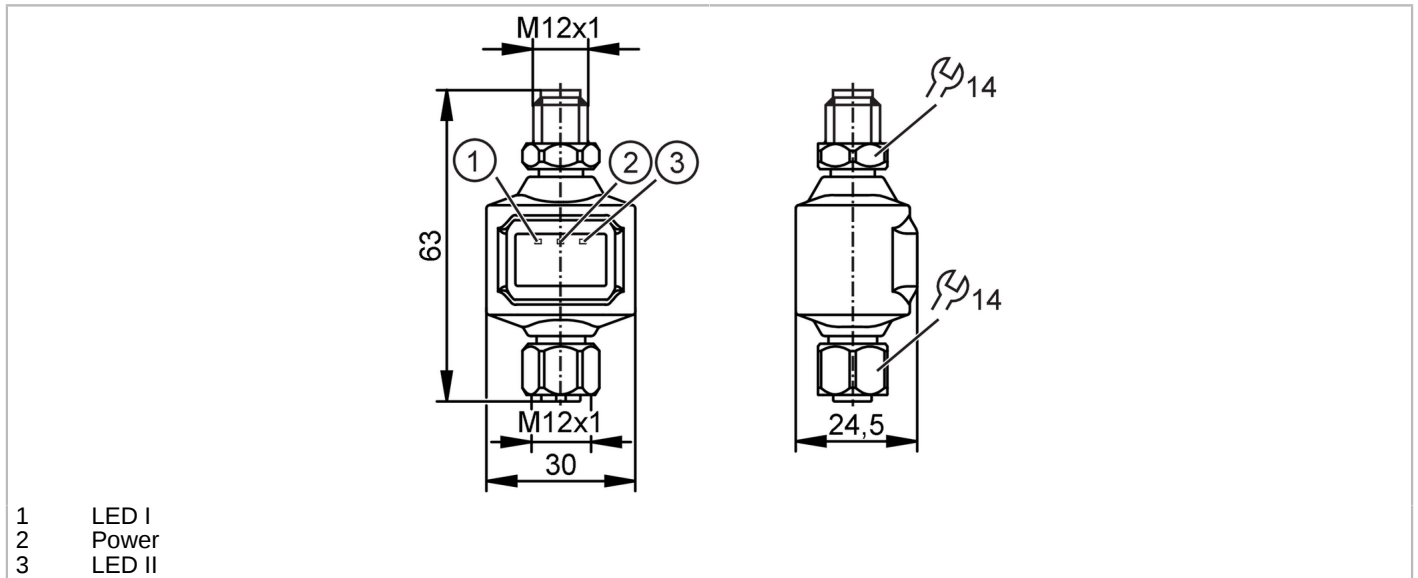


# DP3213



## Converter IO-Link - 4...20 mA

CONV IO-LINK/2x4-20mA/IP69K



- 1 LED I
- 2 Power
- 3 LED II



### Product characteristics

Number of inputs and outputs	Number of analog outputs: 2
Communication interface	IO-Link

### Application

Application	analog outputs controllable via IO-Link; for connecting analogously controlled actuators to an IO-Link system; for use in wet environments; indoor use
-------------	--

### Electrical data

Operating voltage [V]	18...30 DC; ((in wet environments: 18...28 V) to SELV/PELV)
Nominal voltage DC [V]	24
Current consumption [mA]	300
Max. current load total [A]	0.2

### Inputs / outputs

Number of inputs and outputs	Number of analog outputs: 2
------------------------------	-----------------------------

### Outputs

Number of analog outputs	2
Analog current output [mA]	4...20
Max. load [ $\Omega$ ]	300
Precision analog output [%]	0,25

### Interfaces

Communication interface	IO-Link	
Transmission type	COM2 (38,4 kBaud)	
IO-Link revision	1.1	
SDCI standard	IEC 61131-9	
Profiles	Common - I&D	Identification and Diagnosis
SIO mode	no	
Required master port class	A/B	
Process data analog	2	

# DP3213



## Converter IO-Link - 4...20 mA

CONV IO-LINK/2x4-20mA/IP69K

Min. process cycle time [ms]	3.6	
Supported DeviceIDs	<b>Type of operation</b> default	<b>DeviceID</b> 612

Operating conditions		
Ambient temperature [°C]	-25...70	
Note on ambient temperature	2000 m: -25...70 °C	
	3000 m: -25...64 °C	
	4000 m: -25...62 °C	
Storage temperature [°C]	-25...70	
Max. relative air humidity [%]	90; (linearly decreasing to 50 % (40 °C) non condensing)	
Max. height above sea level [m]	4000	
Protection	IP 67; IP 69K	
Degree of soiling	2	
Chemical media	DIN EN ISO 175, Ecolab test method 40-1	
	the following media were tested for 28 days at constant room temperature using the dipping test method	P3-topax 66
		P3-topax 990
		Topactive 200
		Topactive 500
	Topactive OKTO	

Tests / approvals		
MTTF [years]	298	
UL approval	Ta	max. 55 °C
	File number UL	E205959

Mechanical data	
Weight [g]	79.2
Weight (without accessories and packaging) [g]	28
Housing	rectangular
Dimensions [mm]	63 x 30 x 24.5
Material	housing: PA
Material nut	stainless steel (1.4404 / 316L)
Sealing material	FKM

Displays / operating elements		
Display	Power	1 x LED, green
	analog output	2 x LED, yellow

Remarks	
Remarks	Further information is available in the manual. the device complies with overvoltage category II
Pack quantity	1 pcs.

# DP3213

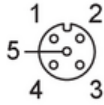


## Converter IO-Link - 4...20 mA

CONV IO-LINK/2x4-20mA/IP69K

### Electrical connection - Socket

Connector: 1 x M12, straight; coding: A; Locking: stainless steel (1.4404 / 316L); sealing: FKM



- |    |                           |
|----|---------------------------|
| 1: | L+                        |
| 2: | 4...20 mA analog output 2 |
| 3: | L-                        |
| 4: | 4...20 mA analog output 1 |
| 5: | not used                  |

### Electrical connection - plug

Connector: 1 x M12, straight; coding: A; Locking: stainless steel (1.4404 / 316L)



- |    |                   |
|----|-------------------|
| 1: | L+ supply voltage |
| 2: | not used          |
| 3: | L- supply voltage |
| 4: | C/Q IO-Link       |