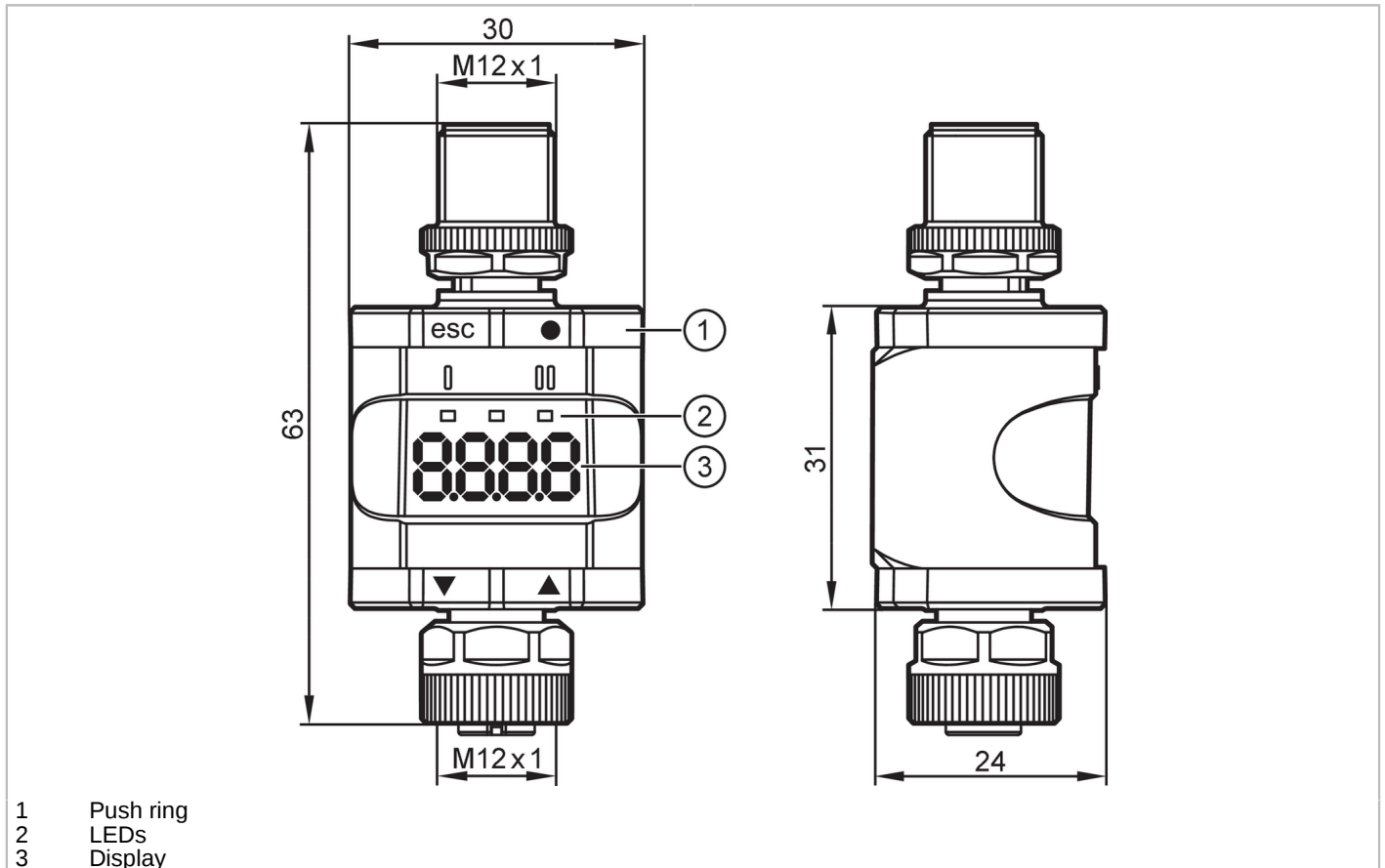


# DP2302



## Electronic counter

Monitoring Display-Counter



Product characteristics	
Electrical design	PNP/NPN
Output function	normally open / closed; (configurable)
Communication interface	IO-Link
Housing	rectangular
Dimensions [mm]	63 x 30 x 24
Electrical data	
Operating voltage [V]	18...30 DC; (to SELV/PELV)
Nominal voltage DC [V]	24
Current consumption [mA]	< 380
Max. current load total [A]	0.2
Inputs / outputs	
Number of inputs and outputs	Number of digital inputs: 2; Number of digital outputs: 2
Inputs	
Number of digital inputs	2; (Counting input: 1; Counting direction/Latch: 1; IEC61131-2)
Input current limitation [mA]	200
Outputs	
Electrical design	PNP/NPN
Number of digital outputs	2

# DP2302



## Electronic counter

Monitoring Display-Counter

Output function	normally open / closed; (configurable)
Short-circuit proof	yes

### Measuring/setting range

Sampling rate [Hz]	< 2000
--------------------	--------

### Interfaces

Communication interface	IO-Link	
Transmission type	COM2 (38,4 kBaud)	
IO-Link revision	1.1	
SDCI standard	IEC 61131-9	
Profiles	Smart Sensor - SSP 3.4	Measuring Sensor, high resolution, sensor control function
	Common - I&D	Identification and Diagnosis
	Function	Multiple switching signal
	Function	Adjustable switching signal
SIO mode	yes	
Required master port class	A	
Process data binary	1	
Min. process cycle time [ms]	6.1	
Supported DeviceIDs	<b>Type of operation</b>	<b>DeviceID</b>
	default	1169

### Operating conditions

Ambient temperature [°C]	-25...60
Note on ambient temperature	2000 m: -25...60 °C
	3000 m: -25...53 °C
	4000 m: -25...51 °C
Storage temperature [°C]	-25...60
Max. relative air humidity [%]	90; (linearly decreasing to 50 % (40 °C) non condensing)
Max. height above sea level [m]	4000
Protection	IP 67
Degree of soiling	2

### Tests / approvals

MTTF [years]	317	
UL approval	Ta	max. 55 °C
	File number UL	E205959

### Mechanical data

Weight [g]	84.2	
Weight (without accessories and packaging) [g]	35	
Housing	rectangular	
Dimensions [mm]	63 x 30 x 24	
Material	housing: PA	

### Displays / operating elements

Display	Power	1 x LED, green
	Switching output	2 x LED, yellow
		7-segment LED display, red/green configurable

# DP2302



## Electronic counter

Monitoring Display-Counter

Operating elements	2	Push ring
--------------------	---	-----------

### Accessories

Accessories (optional)	mounting clip
------------------------	---------------

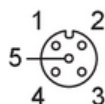
### Remarks

Remarks	Further information is available in the manual. the device complies with overvoltage category II
---------	---

Pack quantity	1 pcs.
---------------	--------

### Electrical connection - Socket

Connector: 1 x M12; coding: A; Contacts: 4



- 1: L+
- 2: IN 2            Counting direction / Latch
- 3: L-
- 4: IN 1            Counting input
- 5:                 not used

### Electrical connection - plug

Connector: 1 x M12; coding: A; Contacts: 4



- 1: L+                supply voltage
- 2: OUT2            Digital output 2
- 3: L-                supply voltage
- 4: OUT1            IO-Link / Digital output 1

### Other data

main counter	0...1000000 cnt
batch counter:	0...9999 bcnt