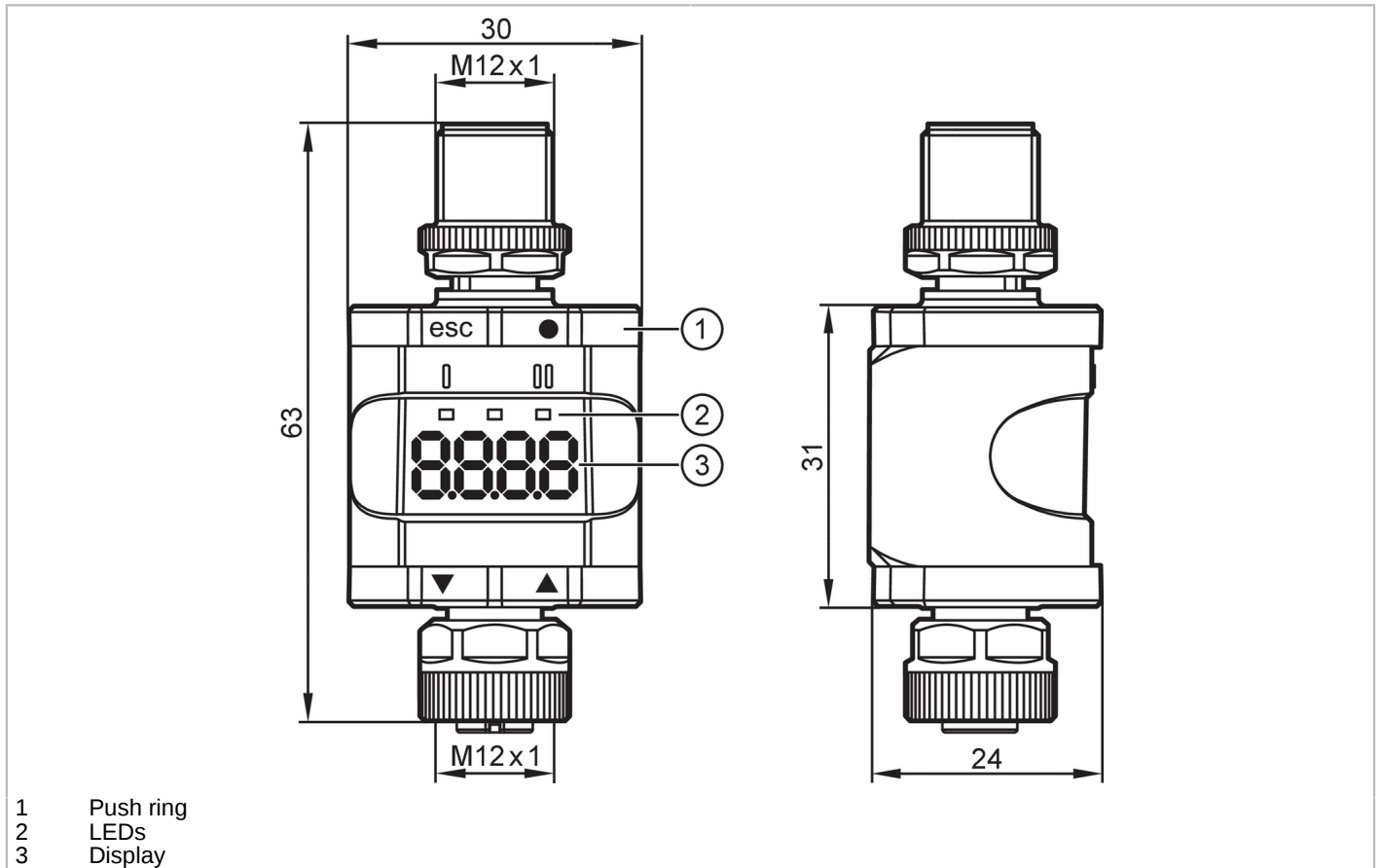


DP2402



Pulse stretcher

Monitoring Display-Pulse ext



Product characteristics	
Electrical design	PNP
Output function	normally open / closed; (configurable)
Communication interface	IO-Link
Housing	rectangular
Dimensions [mm]	63 x 30 x 24
Electrical data	
Operating voltage [V]	18...30 DC; (to SELV/PELV)
Nominal voltage DC [V]	24
Current consumption [mA]	< 380
Max. current load total [A]	0.2
Inputs / outputs	
Number of inputs and outputs	Number of digital inputs: 2; Number of digital outputs: 2
Inputs	
Number of digital inputs	2; (IEC61131-2)
Input current limitation [mA]	200
Outputs	
Electrical design	PNP
Number of digital outputs	2

DP2402



Pulse stretcher

Monitoring Display-Pulse ext

Output function	normally open / closed; (configurable)
Short-circuit proof	yes

Measuring/setting range

Sampling rate [Hz]	< 2000
--------------------	--------

Interfaces

Communication interface	IO-Link	
Usage type	Parameter setting	
Transmission type	COM2 (38,4 kBaud)	
IO-Link revision	1.1	
SDCI standard	IEC 61131-9	
Profiles	Common - I&D	Identification and Diagnosis
SIO mode	yes	
Required master port class	A	
Process data binary	2	
Min. process cycle time [ms]	2	
Supported DeviceIDs	Type of operation	DeviceID
	default	1168

Operating conditions

Ambient temperature [°C]	-25...60
Note on ambient temperature	2000 m: -25...60 °C 3000 m: -25...53 °C 4000 m: -25...51 °C Bei folgender Betriebshöhe ist das Derating der Umgebungstemperatur in der Betriebsanleitung zu beachten: > 2000 m
Storage temperature [°C]	-25...60
Max. relative air humidity [%]	90; (linearly decreasing to 50 % (40 °C) non condensing)
Max. height above sea level [m]	4000
Protection	IP 67
Degree of soiling	2

Tests / approvals

MTTF [years]	317	
UL approval	Ta	max. 55 °C
	File number UL	E205959

Mechanical data

Weight [g]	84.2	
Weight (without accessories and packaging) [g]	35	
Housing	rectangular	
Dimensions [mm]	63 x 30 x 24	
Material	housing: PA	

Displays / operating elements

Display	Power	1 x LED, green
	Switching output	2 x LED, yellow
		7-segment LED display, red
Operating elements	2	Push ring

DP2402



Pulse stretcher

Monitoring Display-Pulse ext

Accessories	
Accessories (optional)	mounting clip
Remarks	
Remarks	Further information is available in the manual. the device complies with overvoltage category II
Pack quantity	1 pcs.
Electrical connection - Socket	
Connector: 1 x M12; coding: A; Contacts: 4	
1: L+	
2: IN2	DI2
3: L-	
4: IN1	DI1
5:	n.c.
Electrical connection - plug	
Connector: 1 x M12; coding: A; Contacts: 4	
1: L+	
2: OUT2	DO2
3: L-	
4: OUT1	IO-Link / DO1
Other data	
switch-on/switch-off delay	0...9999 ms