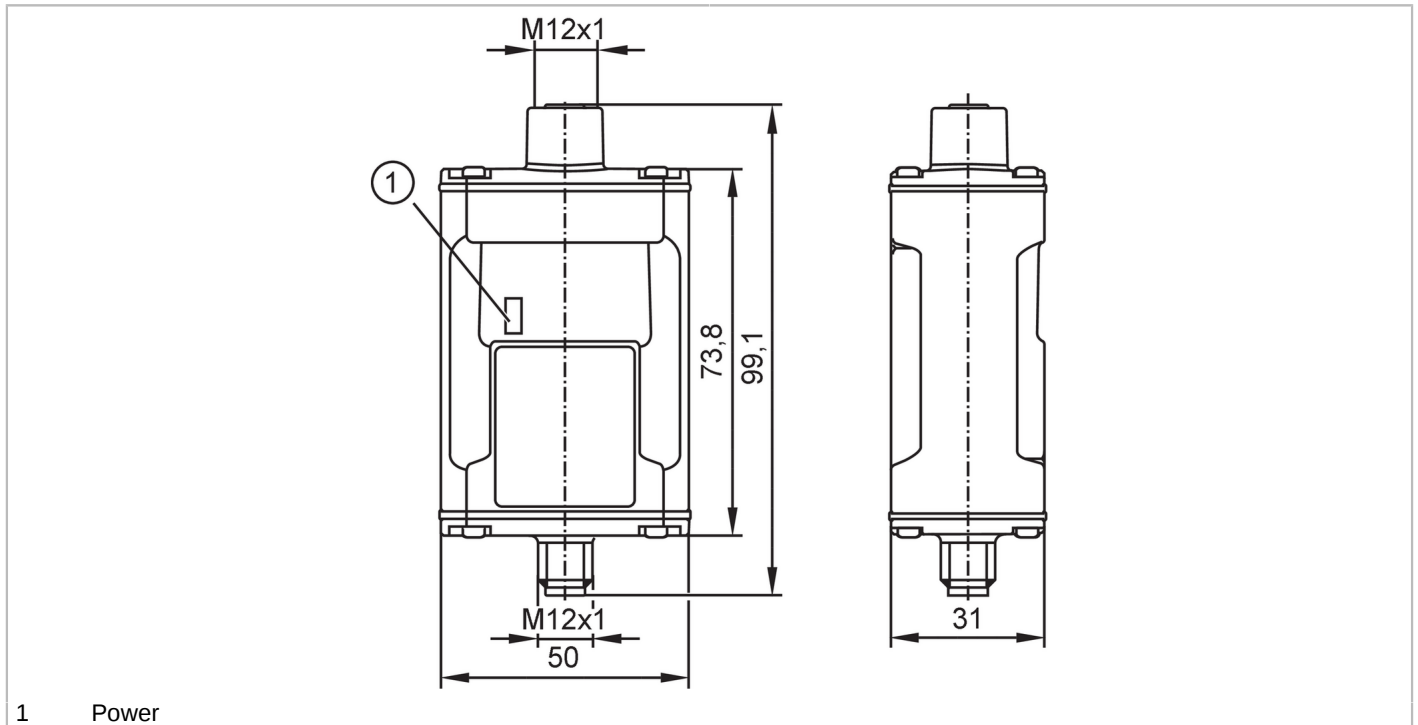


# DP1615



## Control unit for RGBW LED strips

Controller RGBW-LED IP67



1 Power



### Electrical data

Operating voltage	[V]	21.6...26.4 DC; (to SELV/PELV)
Nominal voltage DC	[V]	24
Current consumption	[mA]	< 1230
Max. current load total	[A]	1.2

### Inputs / outputs

Number of inputs and outputs	Number of digital inputs: 3; Number of digital outputs: 4
------------------------------	---

### Inputs

Number of digital inputs	3
Switching level high	[V] 11...26.4
Switching level low	[V] 0...5

### Outputs

Output signal	switching signal
Number of digital outputs	4
Max. current load per output	[mA] 400; 640; (400 mA: red; green; blue; 640 mA: white)
Max. current load outputs total	[A] 1.2
Short-circuit proof	yes

### Interfaces

Communication interface	IO-Link
Transmission type	COM2 (38,4 kBaud)
IO-Link revision	1.1
SDCI standard	IEC 61131-9
Profiles	Common - I&D Identification and Diagnosis

# DP1615



## Control unit for RGBW LED strips

Controller RGBW-LED IP67

SIO mode	yes
Required master port class	A
Min. process cycle time [ms]	4.2
Supported DeviceIDs	<b>Type of operation</b> default
Note	<b>DeviceID</b> 1474
For further information please see the IODD PDF file at "Downloads"	

Operating conditions	
Ambient temperature [°C]	-25...60
Storage temperature [°C]	-25...60
Max. relative air humidity [%]	90; (linearly decreasing to 50 % (40 °C); non condensing)
Max. height above sea level [m]	2000
Protection	IP 65; IP 67
Degree of soiling	2

Tests / approvals	
EMC	IEC61131-2
MTTF [years]	291

Mechanical data	
Weight [g]	130.2
Weight (without accessories and packaging) [g]	0.001
Housing	rectangular
Dimensions [mm]	99.1 x 50 x 31
Material	housing: PA; cover: PA; sealing cover: TPE
Sealing material	FKM

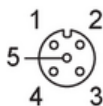
Displays / operating elements	
Display	Power LED, green

Accessories	
Accessories (optional)	mounting clip, E89209

Remarks	
Remarks	Please observe the permissible voltage ranges of the connected devices, as these may differ from the IO-Link specification. Further information is available in the manual. the device complies with overvoltage category II
Pack quantity	1 pcs.

### Electrical connection - Socket

Connector: 1 x M12; coding: A; sealing: FKM



1 OUT1	DO1 LED red
2 OUT2	DO2 LED green
3 L-	GND
4 OUT3	DO3 LED white
5 OUT4	DO4 LED blue

# DP1615



## Control unit for RGBW LED strips

Controller RGBW-LED IP67

### Electrical connection - plug

Connector: 1 x M12; coding: A



### IO-Link Power

1 L+	
2 L+	
3 L-	GND
4 C/Q	

### SIO Power

1 IN1 / L+	DI1 / supply voltage Setting C
2 IN2 / L+	DI2 / supply voltage Setting B
3 L-	GND
4 IN3 / L+	DI3 / supply voltage Setting A