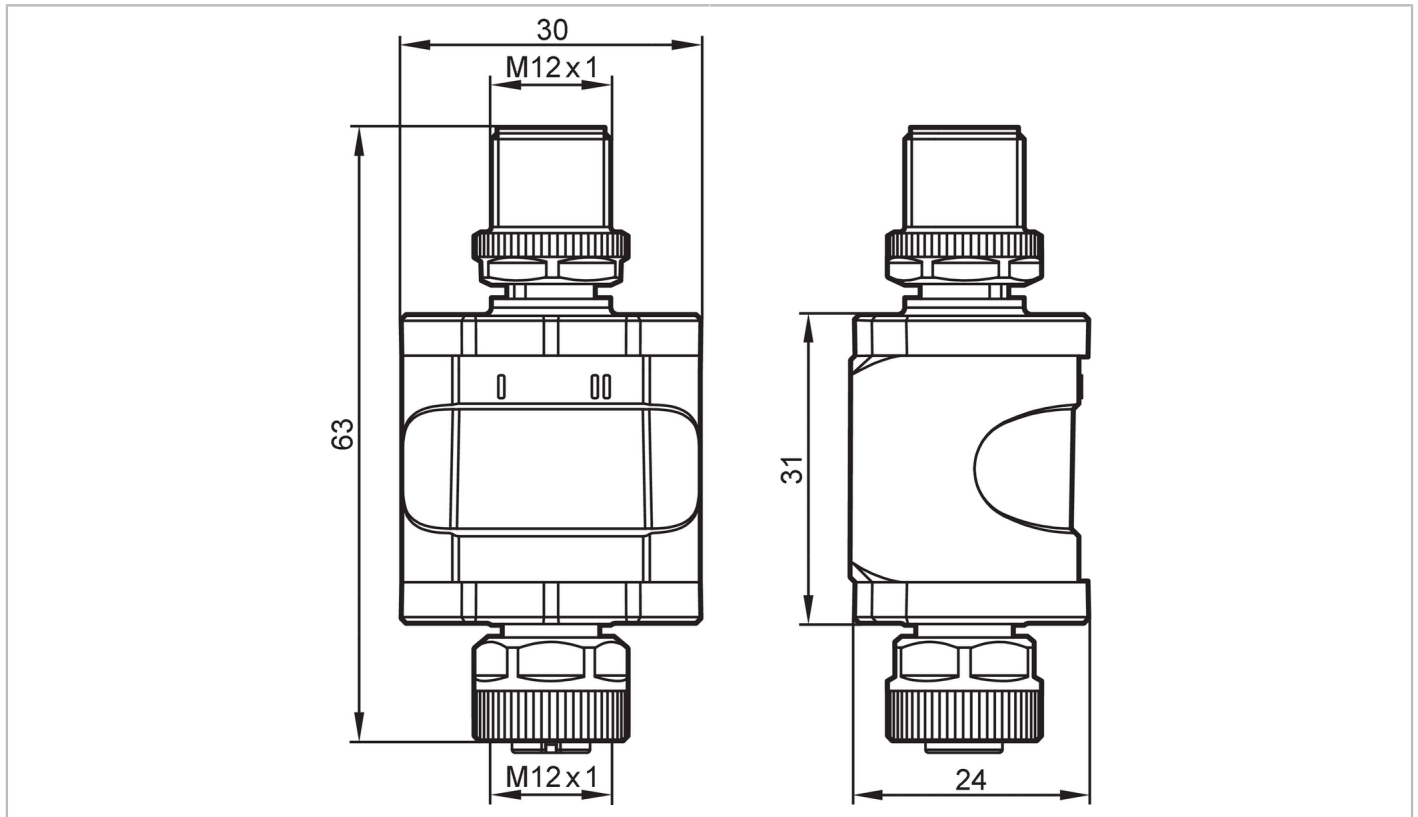


DP1603



Relay adapter

Relais Adapter/2xNO




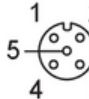
Product characteristics	
Output function	normally open
Dimensions [mm]	63 x 30 x 24
Electrical data	
Operating voltage [V]	18...30 DC; ((in wet environments: 18...28 V) ; to SELV/PELV)
Nominal voltage DC [V]	24
Current consumption [mA]	< 10
Inputs / outputs	
Number of inputs and outputs	Number of digital inputs: 2; Number of relay outputs: 2
Inputs	
Number of digital inputs	2; (type 3 (IEC 61131-2))
Input circuit of digital inputs	PNP
Outputs	
Voltage range DC [V]	0...32; (to SELV/PELV)
Voltage range AC [V]	0...20; ((in wet environments: 0...16 V); to SELV/PELV)
Output function	normally open
Max. current load per output [mA]	1000
Number of relay outputs	2
Switching frequency AC [Hz]	1
Switching frequency DC [Hz]	1
Notes on switching frequency [Hz]	no capacitive loads

DP1603



Relay adapter

Relais Adapter/2xNO

Operating conditions	
Ambient temperature [°C]	-25...60
Note on ambient temperature	2000 m: -25...60 °C
	3000 m: -25...55 °C
	4000 m: -25...52 °C
Storage temperature [°C]	-25...70
Max. relative air humidity [%]	90; (linearly decreasing to 50 % (40 °C) non condensing)
Max. height above sea level [m]	4000
Protection	IP 67
Degree of soiling	2; (before installation and when the device is replaced)
Tests / approvals	
MTTF [years]	942
UL approval	Ta max. 55 °C
	File number UL E205959
Mechanical data	
Weight [g]	82.2
Weight (without accessories and packaging) [g]	35
Dimensions [mm]	63 x 30 x 24
Material	housing: PA
Accessories	
Accessories (optional)	mounting clip
Remarks	
Remarks	Further information is available in the manual. the device complies with overvoltage category II
Pack quantity	1 pcs.
Electrical connection - plug	
Connector: 1 x M12, straight; coding: A	
	
1: L+	
2: IN1	DI1
3: L-	
4: IN2	DI2
Electrical connection - Socket	
Connector: 1 x M12, straight; coding: A	
	
1: L1 / L+	supply voltage Output
2: OUT1	NO1
3: n.c.	
4: OUT2	NO2
5: n.c.	