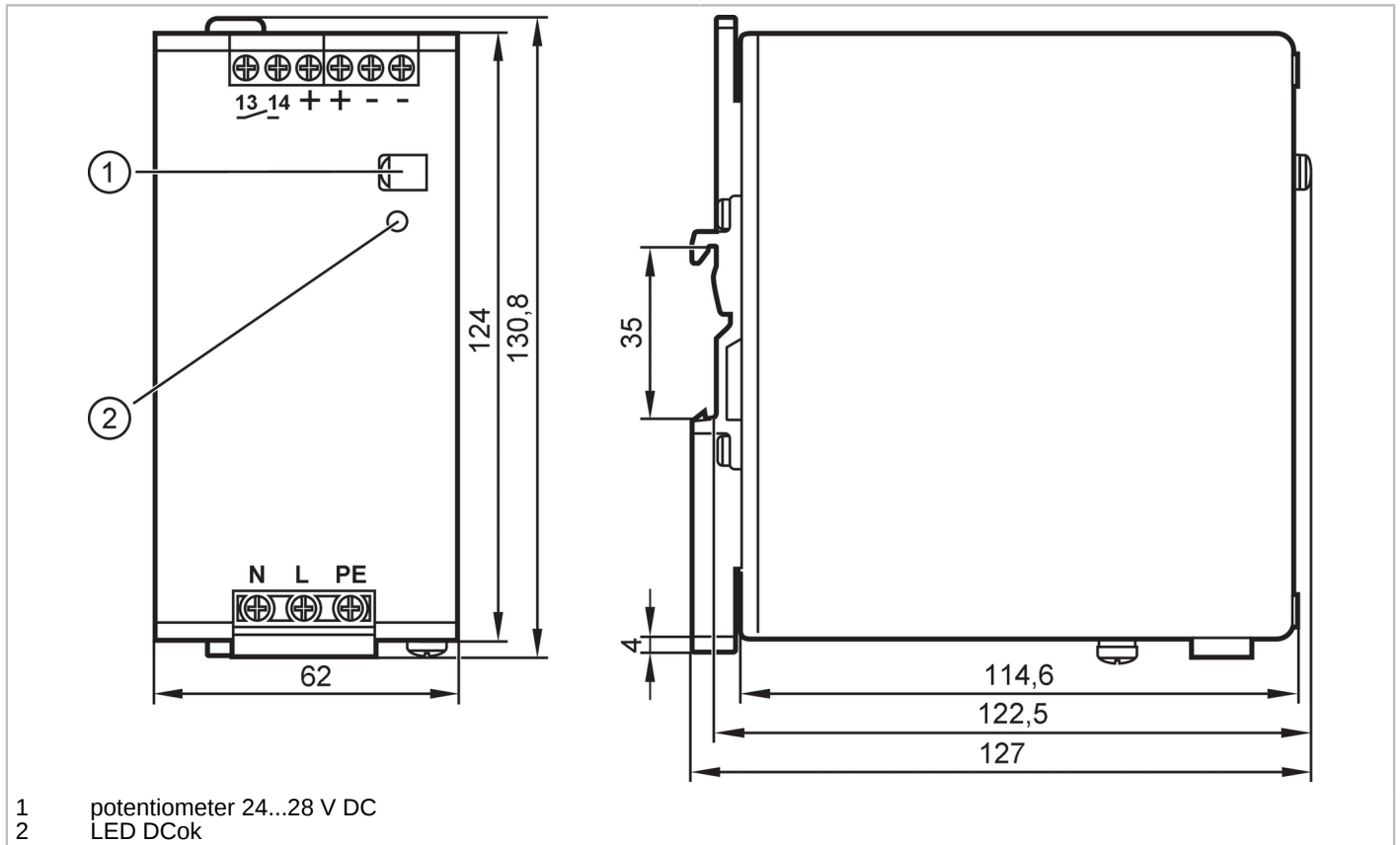


DN4013



Switched-mode power supply 24 V DC

PSU-1AC/24VDC-10A



Application

Design housing for DIN rail mounting

Electrical data

Frequency AC	[Hz]	47...64
Operating voltage	[V]	automatic range selection
Nominal voltage AC	[V]	< 230
Nominal frequency AC	[Hz]	50...60
Input voltage range AC	[V]	100...120 / 200...240; (-10 % / +10 %)
Output voltage DC	[V]	24...28
Protection class		I; (IEC 61140)
Overvoltage protection		yes; (< 39 DC)
Output voltage	[V]	adjustable; output voltage to SELV, PELV
Max. output current at min. output voltage	[A]	10
Max. output current at max. output voltage	[A]	8.6
Max. output current peak at min. output voltage	[A]	12
Max. output current peak at max. output voltage	[A]	10.3
Output power (permanent)	[W]	240
Output power (peak)	[W]	288

DN4013



Switched-mode power supply 24 V DC

PSU-1AC/24VDC-10A

Note on output power (peak) [W]	≤ 45 °C permitted continuously; > 45 °C < 1 minute every 10 minutes
Power factor (nominal voltage 120 V AC / 60 Hz)	0.59
Power factor (nominal voltage 230 V AC / 50 Hz)	0.51
Power reserve [%]	20
Number of output circuits	1
Max. residual ripple [mV]	50
Switch-on peak current (nominal voltage 120 V AC / 60 Hz) [A]	3
Switch-on peak current (nominal voltage 230 V AC / 50 Hz) [A]	3
Inrush current limitation	yes
Efficiency (nominal voltage 120 V AC / 60 Hz) [%]	91
Efficiency (nominal voltage 230 V AC / 50 Hz) [%]	91.6
External input protection	≥ B-10 A / ≥ C-6 A
Derating [W/K]	6 (60...70 °C)
Mains buffering time (nominal voltage 120 V AC / 60 Hz) [ms]	46
Mains buffering time (nominal voltage 230 V AC / 50 Hz) [ms]	47
Input current (nominal voltage 120 V AC / 60 Hz) [A]	3.73
Input current (nominal voltage 230 V AC / 50 Hz) [A]	2.23
Power loss (nominal voltage 120 V AC / 60 Hz) [W]	23.7
Power loss (nominal voltage 230 V AC / 50 Hz) [W]	22
Back feeding protection [V]	35
Outputs	
Short-circuit proof	yes
Overload protection	yes
Overload performance	constant output current
Type DC-OK signal	Relay output
Reliability of the DC OK signal	60 V DC (0.3 A) / 30 V DC (1 A) / 30 V AC (0.5 A)
Operating conditions	
Ambient temperature [°C]	-25...70
Note on ambient temperature	observe the free space for convection (see operating instructions)
Storage temperature [°C]	-40...85
Max. relative air humidity [%]	95; (IEC 60068-2-30)
Protection	IP 20; (EN 60529)
Degree of soiling	2; (IEC 62103: conductive soiling not permitted)
Overheat protection	yes

DN4013



Switched-mode power supply 24 V DC

PSU-1AC/24VDC-10A

Tests / approvals		
EMC	EN 61000-6-1	
	EN 61000-6-2	
	EN 61000-6-4	
Vibration resistance	IEC 60068-2-6	±1,6 mm 2...17,8 Hz / 2 g 17,8...500 Hz
Shock resistance	IEC 60068-2-27	30 g 6 ms / 20 g 11 ms
MTTF [years]		70

Mechanical data		
Weight [g]		875.5
Housing		rectangular
Type of mounting		Mounting on DIN rail; (TH35 (EN 60715))
Dimensions [mm]		124 x 62 x 122.5
Material		housing: steel sheet

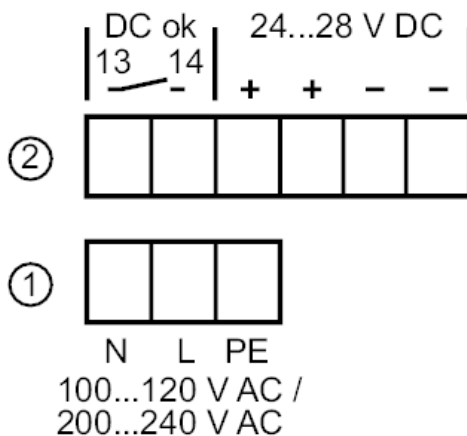
Displays / operating elements		
Display	DCok	1 x LED

Remarks		
Remarks	series connection of outputs only applies to identical units up to max. 150 V DC overall voltage	
Pack quantity	1 pcs.	

Electrical connection

screw terminals:

Connection



- 1: primary
- 2: secondary

DN4013

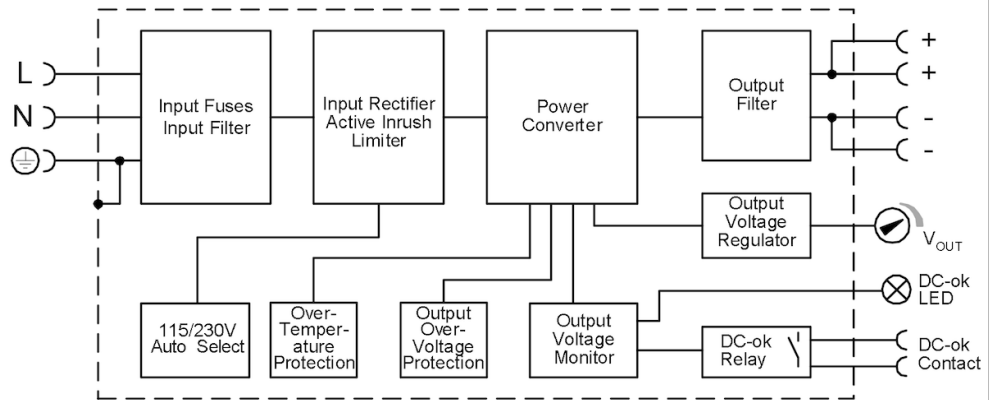


Switched-mode power supply 24 V DC

PSU-1AC/24VDC-10A

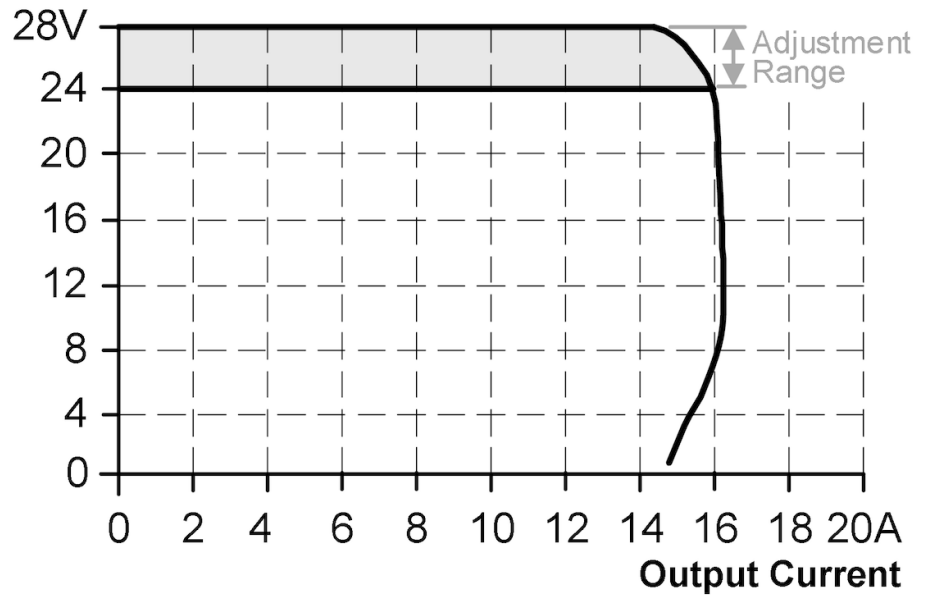
Diagrams and graphs

Block diagram



Output curve

Output Voltage



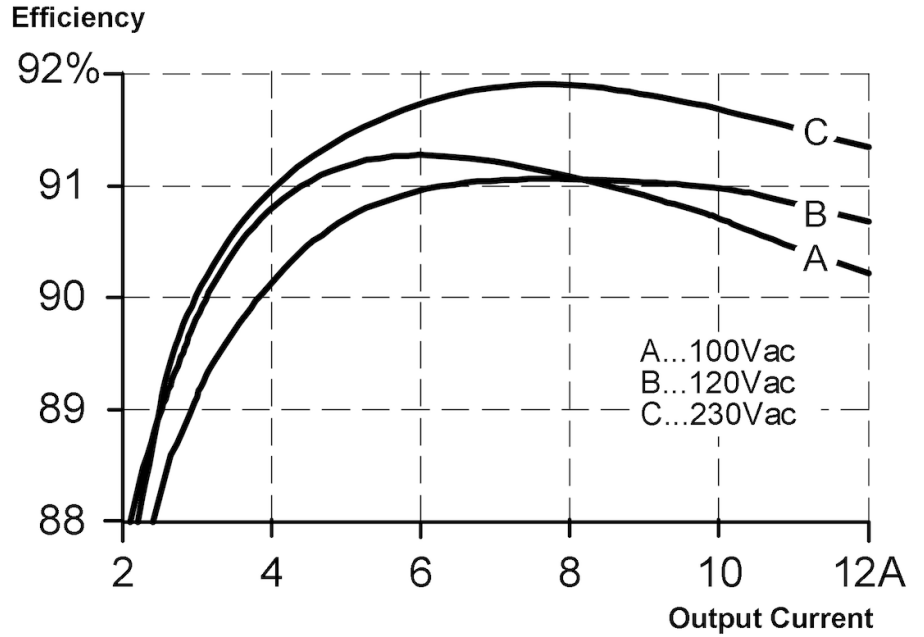
DN4013



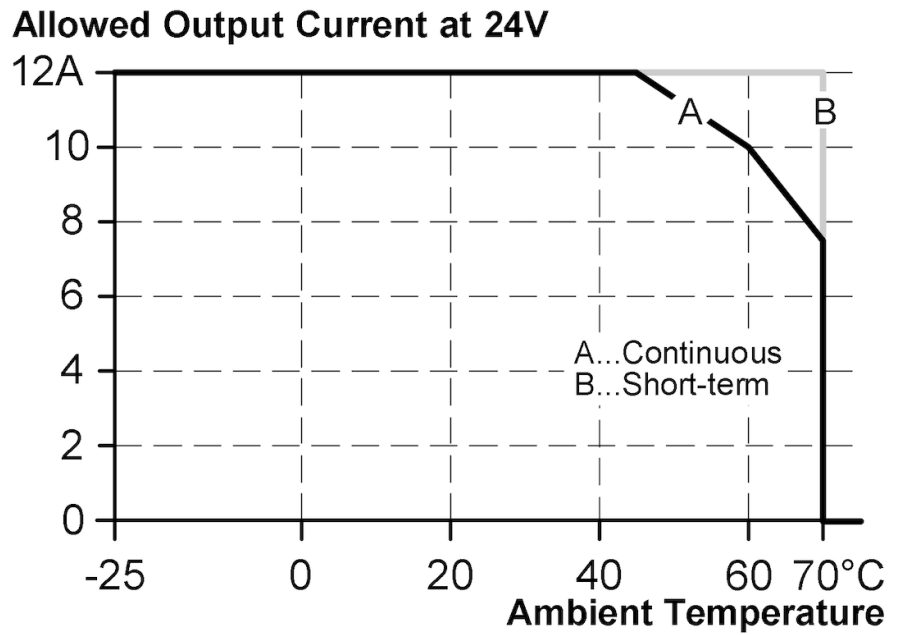
Switched-mode power supply 24 V DC

PSU-1AC/24VDC-10A

Characteristic curve for degree of efficiency / power loss



Characteristic curve for derating



DN4013



Switched-mode power supply 24 V DC

PSU-1AC/24VDC-10A

Characteristic curve for mains buffering time

Hold-up Time at 24V

