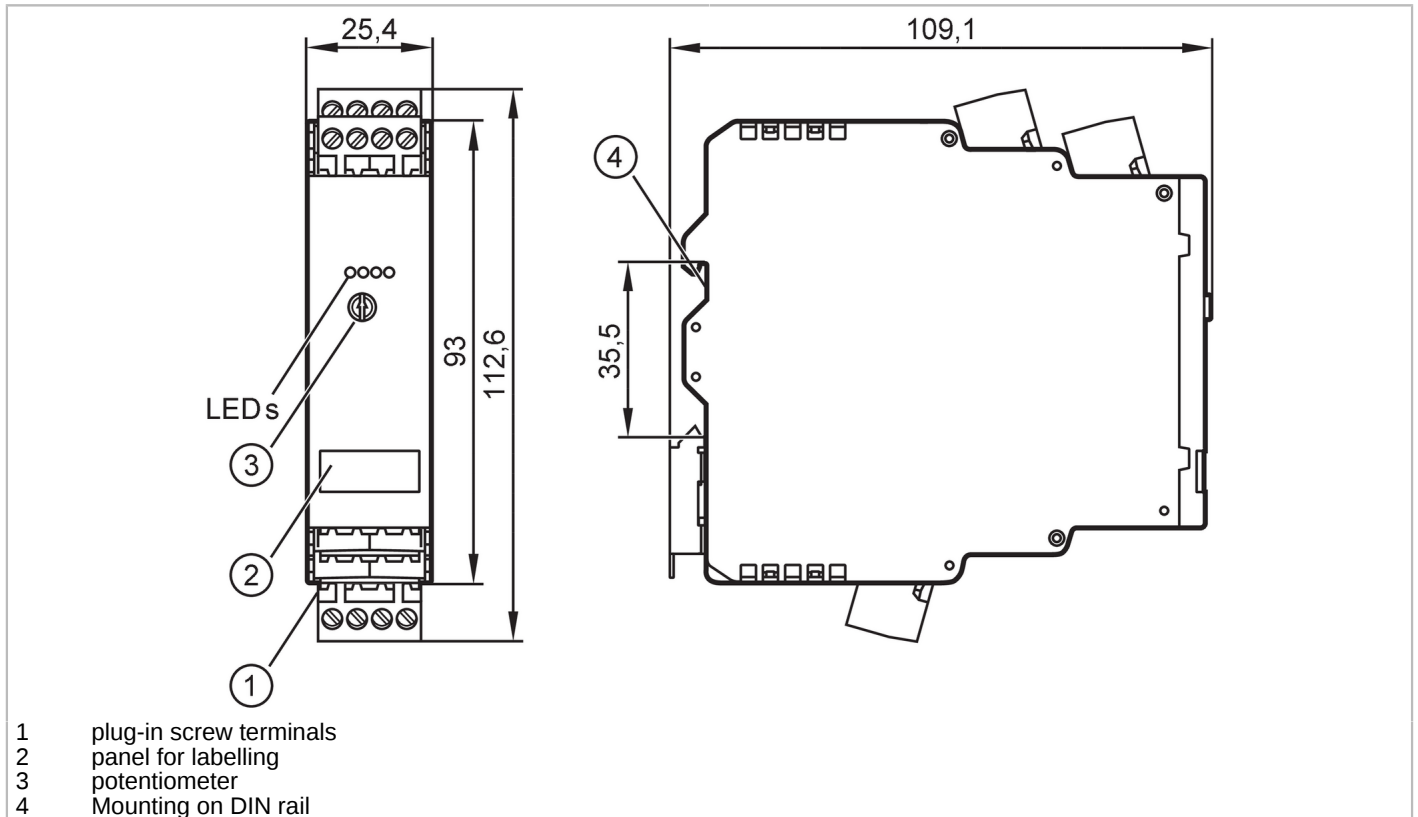


DN0210



Switching amplifier

N200/SA-1 110-240VAC



Product characteristics	
Housing	rectangular
Dimensions [mm]	112.6 x 25.4 x 109.1
Application	
Design	housing for DIN rail mounting
Application	Power supply and signal evaluation
Electrical data	
Nominal voltage AC [V]	110...240
Nominal voltage tolerance [%]	> 20
Nominal voltage tolerance 2 [%]	20...10
Nominal frequency AC [Hz]	50...60
Insulation rating [V]	9
Max. power consumption AC [W]	11
Auxiliary energy for sensors DC [V]	24; (SELV, ± 10 %, 300 mA)
Number of channels	1
Inputs / outputs	
Number of inputs and outputs	Number of relay outputs: 1
Inputs	
Input circuit of digital inputs	PNP/NPN

DN0210



Switching amplifier

N200/SA-1 110-240VAC

Outputs		
Number of relay outputs		1
Contact rating		4 A (240 V AC, 24 V DC); (resistive load)
Operating conditions		
Ambient temperature	[°C]	-20...60
Storage temperature	[°C]	-25...70
Max. relative air humidity	[%]	80; (40 °C: 50 % non condensing)
Max. height above sea level	[m]	3000
Protection		IP 20
Protection rating terminals		IP 20
Degree of soiling		2; (\leq 240 V AC)
Tests / approvals		
MTTF	[years]	290
Mechanical data		
Weight	[g]	214
Housing		rectangular
Type of mounting		Mounting on DIN rail; (TH35 (EN 60715))
Dimensions	[mm]	112.6 x 25.4 x 109.1
Material		housing: PC-GF20
Displays / operating elements		
Display	voltage supply	1 x LED, green
	Output	1 x LED, yellow
	errors	1 x LED, red
Accessories		
Items supplied		connector: 3 x 4-wire, with screw connection
Remarks		
Pack quantity		1 pcs.

DN0210



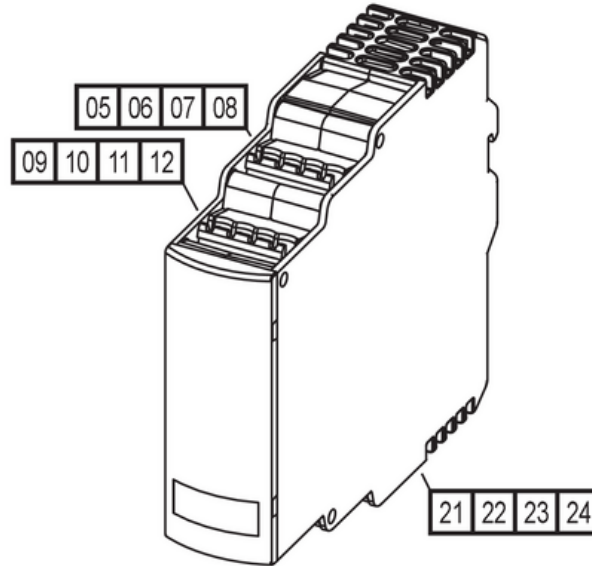
Switching amplifier

N200/SA-1 110-240VAC

Electrical connection

pin headers: 4 x ; Spacing: 5.0 mm

Connection



05	Relay normally open
06	Relay common
07	Relay common
08	Relay normally closed
09	DC Sensor supply (+)
10	sensor signal pnp/npn
11	not used
12	DC Sensor supply (-)
21	AC Supply voltage (L)
22	AC Supply voltage (L)
23	AC Supply voltage (N)
24	AC Supply voltage (N)