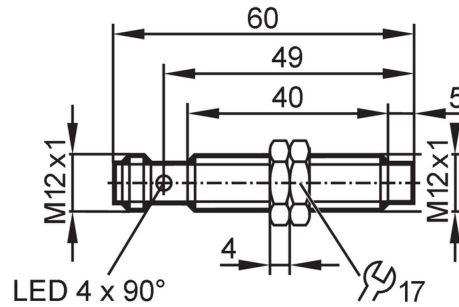


DI5028



Compact evaluation unit for speed monitoring

DFK36,5-WRKG/IO/US



Product characteristics

Electrical design	PNP/NPN
Output function	normally open / closed; (configurable)
Sensing range [mm]	6.5
Communication interface	IO-Link
Housing	Threaded type
Dimensions [mm]	M12 x 1 / L = 60

Application

Application	simple evaluation of rotating and linear movement with regard to underspeed; blocking
-------------	---

Electrical data

Nominal voltage DC [V]	10...30
Current consumption [mA]	< 10
Protection class	III
Reverse polarity protection	yes

Outputs

Electrical design	PNP/NPN
Output function	normally open / closed; (configurable)
Max. voltage drop switching output DC [V]	2.5
Permanent current rating of switching output DC [mA]	100
Short-circuit proof	yes
Overload protection	yes

Monitoring range

Sensing range [mm]	6.5
Sensing range adjustable	no
Operating distance [mm]	0...5.26

Measuring/setting range

Setting range [Imp/min]	5...24000
Measuring principle	inductive

Accuracy / deviations

Correction factor	steel: 1 / stainless steel: 0.7 / brass: 0.5 / aluminum: 0.4 / copper: 0.3
Hysteresis [% of Sr]	10

DI5028



Compact evaluation unit for speed monitoring

DFK36,5-WRKG/IO/US

Reaction times		
Start-up delay [s]	0...30; (In steps of: 100 ms; default: 15 s)	
Max. damping frequency [Imp/min]	30000	
Interfaces		
Communication interface	IO-Link	
Transmission type	COM2 (38,4 kBaud)	
Profiles	Smart Sensor - SSP 0	Generic Profiled Sensor
	Function	Device identification
	Function	Multiple switching signal
	Function	Process data variable
	Function	Device diagnosis
	Function	Teach channel
Min. process cycle time [ms]	3.2	
Supported DeviceIDs	Type of operation default	DeviceID 911
Operating conditions		
Ambient temperature [°C]	-40...85	
Storage temperature [°C]	-25...85	
Protection	IP 66; IP 67; IP 68; IP 69K	
Tests / approvals		
EMC	EN 61000-4-2 ESD	4 kV CD / 8 kV AD
	EN 61000-4-3 HF radiated	10 V/m
	EN 61000-4-4 Burst	2 kV
	EN 61000-4-6 HF conducted	10 V
	EN 55011	class B
	EN 60947-5-2	
Shock resistance	EN 60068-2-27 Ea	100 g 11 ms half-sine; 3 shocks each in every direction of the 3 coordinate axes
Vibration resistance	DIN EN 60947-5-2	20 g (10...3000 Hz)
		50 sweep cycles per frequency; 1 octave per minute in 3 axes
MTTF [years]	672	
UL approval	UL approval number	A008
Mechanical data		
Weight [g]	27	
Housing	Threaded type	
Mounting	non-flush mountable	
Dimensions [mm]	M12 x 1 / L = 60	
Thread designation	M12 x 1	
Material	housing: brass white bronze coated; sensing face: PBT orange; LED window: PEI; lock nuts: brass white bronze coated	
Tightening torque [Nm]	7	

DI5028



Compact evaluation unit for speed monitoring

DFK36,5-WRKG/IO/US

Displays / operating elements

Display	SIO mode	
	output stage supplied with current	4 x LED, yellow
	IO-Link mode	
	target in measuring range	4 x LED, yellow
	target outside measuring range	4 x LED, yellow flashing

Accessories

Items supplied	lock nuts: 2 x M12
----------------	--------------------

Remarks

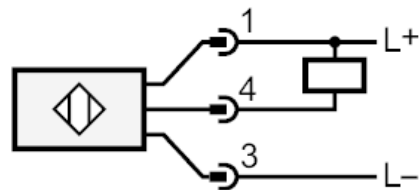
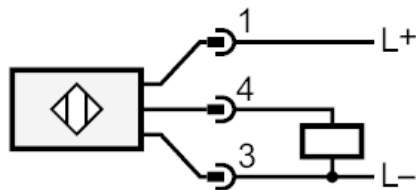
Pack quantity	1 pcs.
---------------	--------

Electrical connection

Connector: 1 x M12; coding: A



Connection



4: OUT / IO-Link