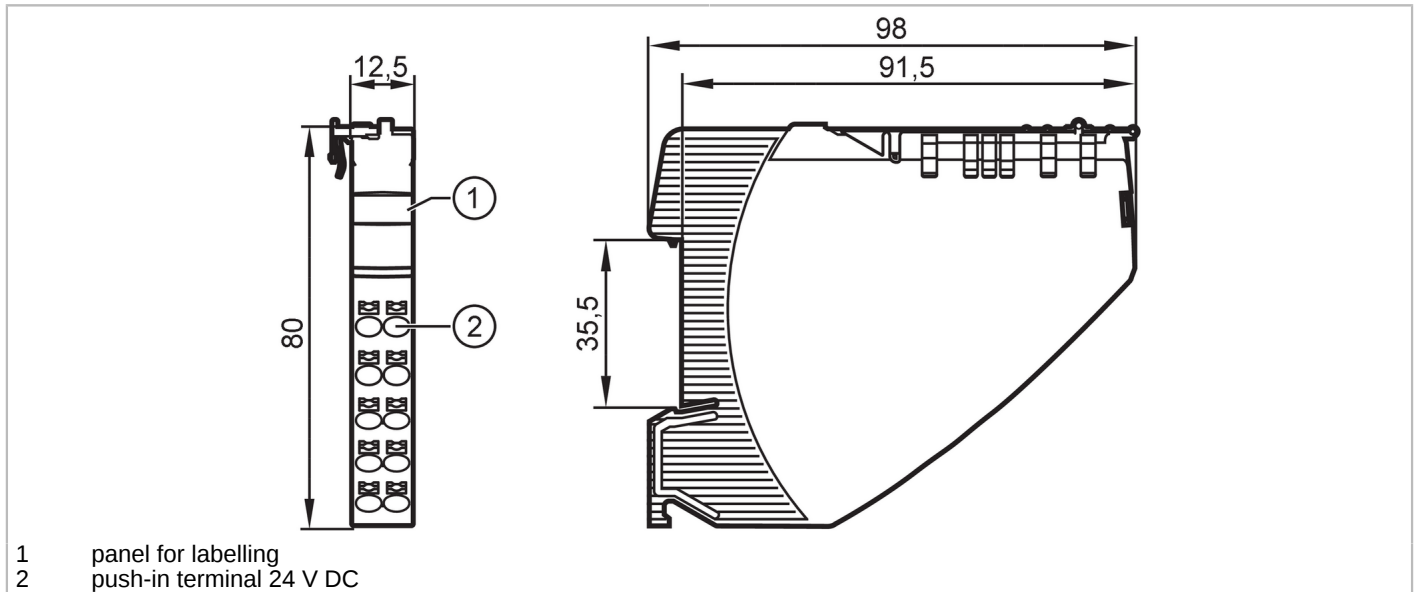


DF3200



Distribution module for supply voltage

Pot.Module LOAD/2x5x 2.5mm²



- 1 panel for labelling
- 2 push-in terminal 24 V DC



Application		
Design	potential module 2 x 5 x 2,5 mm ²	
Electrical data		
Operating voltage	[V]	18...30 DC
Nominal voltage DC	[V]	24
Protection class		III
Max. load current	[A]	20
Operating conditions		
Ambient temperature	[°C]	-25...60
Storage temperature	[°C]	-40...70
Protection		IP 20
Tests / approvals		
EMC	EN 61000-6-3	radiation of interference
	EN 61000-6-2	noise immunity
Mechanical data		
Weight	[g]	64.8
Type of mounting		Mounting on DIN rail
Installation instruction		String mounting possible
Dimensions	[mm]	80 x 12.5 x 98.5
Remarks		
Pack quantity		1 pcs.

DF3200



Distribution module for supply voltage

Pot.Module LOAD/2x5x 2.5mm²

Electrical connection

push-in terminals:

Connection

