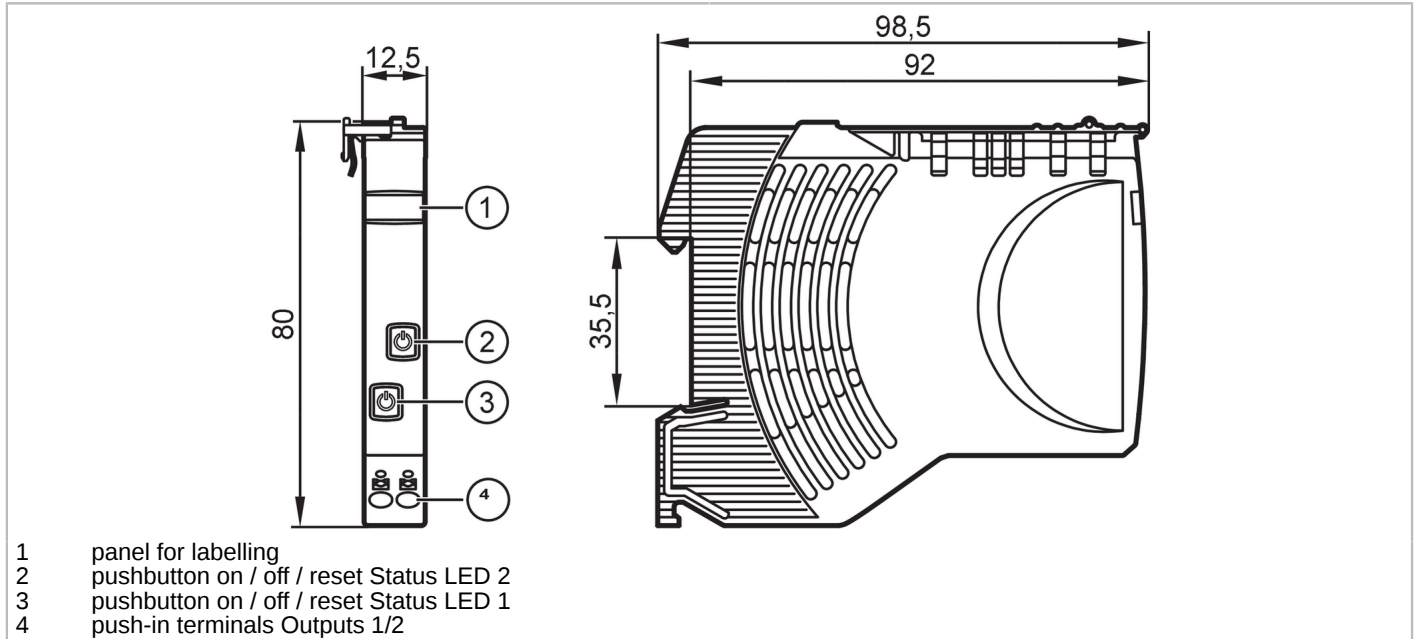


# DF2220



## Circuit protection module for an uninterrupted power supply

Fuse/IO-Link/24VDC/2x1-10A



- 1 panel for labelling
- 2 pushbutton on / off / reset Status LED 2
- 3 pushbutton on / off / reset Status LED 1
- 4 push-in terminals Outputs 1/2



Application	
Design	housing for DIN rail mounting
Installation	rail TH35; according to EN 60715
Electrical data	
Operating voltage [V]	to SELV/PELV
Nominal voltage DC [V]	24
Input voltage DC [V]	19.2...30
Protection class	III
Reverse polarity protection	yes
Mains buffering time (nominal voltage 24 V DC) [ms]	10
Closed-circuit current [mA]	12
Power loss (nominal voltage 24 V DC) [W]	1.388
Number of channels	2
Nominal current [A]	1...10
Nominal current (Fail Safe Element) [A]	16
Outputs	
Load capacitance, total [mF]	20
Operating conditions	
Ambient temperature [°C]	-25...60
Storage temperature [°C]	-40...70
Protection	IP 20; (on the front)
Degree of soiling	2

# DF2220



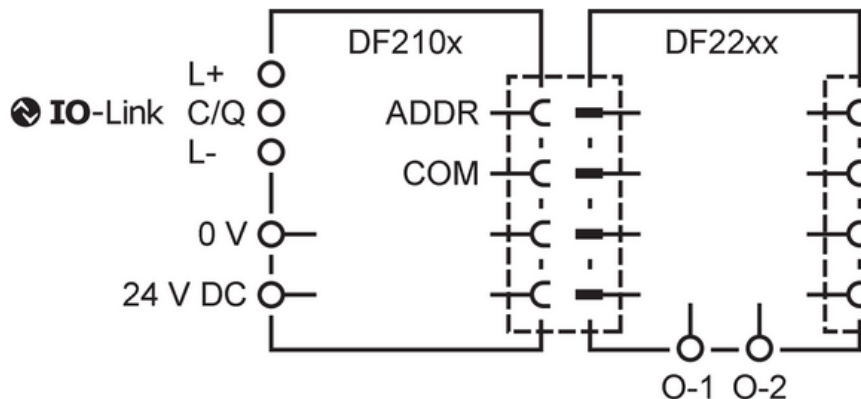
## Circuit protection module for an uninterrupted power supply

Fuse/IO-Link/24VDC/2x1-10A

Tests / approvals		
EMC	EN 61000-6-3	radiation of interference
	EN 61000-6-2	noise immunity
Mechanical data		
Weight	[g]	74.5
Housing		rectangular
Type of mounting		Mounting on DIN rail; (TH35 (EN 60715))
Dimensions	[mm]	80 x 12.5 x 98
Displays / operating elements		
Display	status	2 x LED, red / green / orange
Operating elements	2 x	pushbuttons
Remarks		
Pack quantity		1 pcs.

**Electrical connection**  
 push-in terminals:  
 contact lever/strip:

### Connection



### Diagrams and graphs

Output curve

