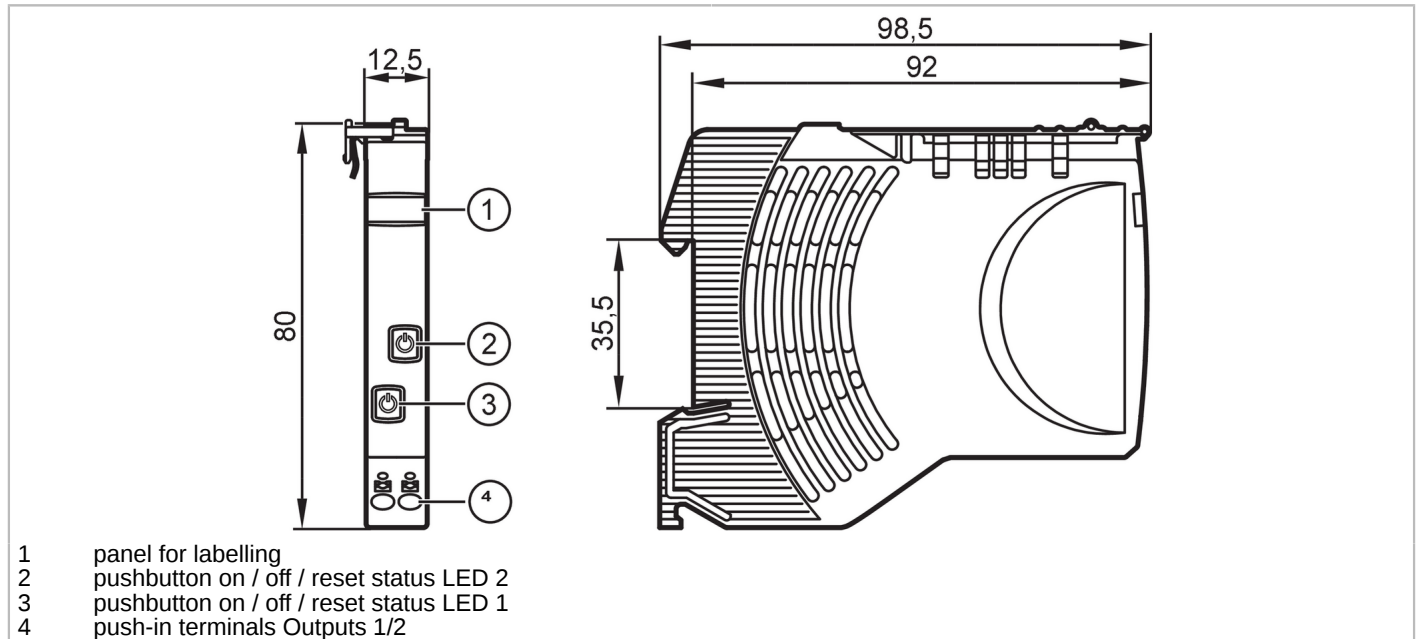


DF1214



Electronic circuit breaker

Fuse/Standard/24VDC/2x4A



Application		
Design	housing for DIN rail mounting	
Electrical data		
Operating voltage [V]	to SELV/PELV ; "supply class 2" according to UR	
Nominal voltage DC [V]	24	
Input voltage DC [V]	19.2...30	
Protection class	III	
Mains buffering time (nominal voltage 24 V DC) [ms]	10	
Closed-circuit current [mA]	8	
Power loss (nominal voltage 24 V DC) [W]	0.912	
Number of channels	2	
Nominal current [A]	4	
Nominal current (Fail Safe Element) [A]	4	
Outputs		
Load capacitance, total [mF]	15	
Operating conditions		
Ambient temperature [°C]	-25...60	
Storage temperature [°C]	-40...70	
Protection	IP 20; (on the front)	
Pollution degree	2	
Tests / approvals		
EMC	EN 61000-6-3	radiation of interference
	EN 61000-6-2	immunity

DF1214



Electronic circuit breaker

Fuse/Standard/24VDC/2x4A

Mechanical data		
Weight [g]		69
Housing		rectangular
Type of mounting		mounting on DIN rail; (TH35 (EN 60715))
Dimensions [mm]		80 x 12.5 x 98.5
Displays / operating elements		
Display	status	2 x LED, red / green / orange
Operating elements	2 x	pushbutton
Remarks		
Pack quantity		1 pcs.

Electrical connection	
push-in terminals:	
contact lever/strip:	
Connection	

