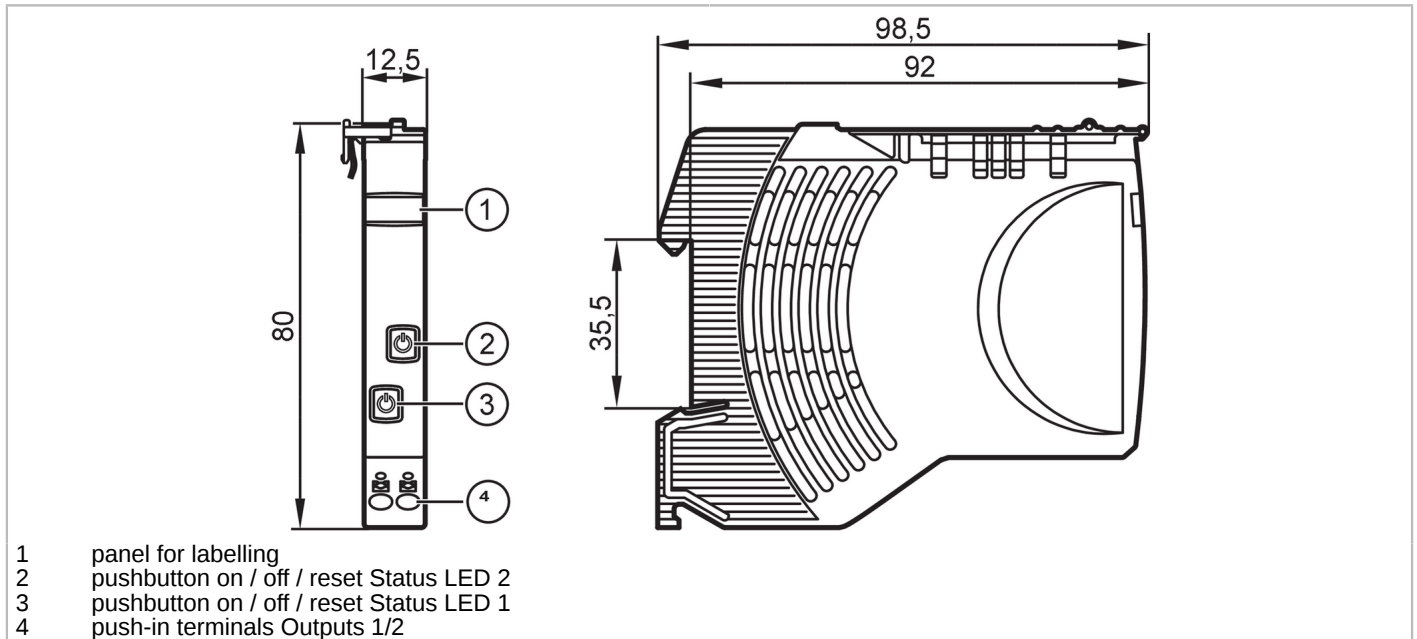


DF1212



Electronic circuit breaker

Fuse/Standard/24VDC/2x2A



Application		
Design	housing for DIN rail mounting	
Electrical data		
Operating voltage [V]	to SELV/PELV ; "supply class 2" according to UR	
Nominal voltage DC [V]	24	
Input voltage DC [V]	19.2...30	
Protection class	III	
Mains buffering time (nominal voltage 24 V DC) [ms]	10	
Closed-circuit current [mA]	8	
Power loss (nominal voltage 24 V DC) [W]	0.412	
Number of channels	2	
Nominal current [A]	2	
Nominal current (Fail Safe Element) [A]	2	
Outputs		
Load capacitance, total [mF]	10	
Operating conditions		
Ambient temperature [°C]	-25...60	
Storage temperature [°C]	-40...70	
Protection	IP 20; (on the front)	
Degree of soiling	2	
Tests / approvals		
EMC	EN 61000-6-3	radiation of interference
	EN 61000-6-2	noise immunity

DF1212



Electronic circuit breaker

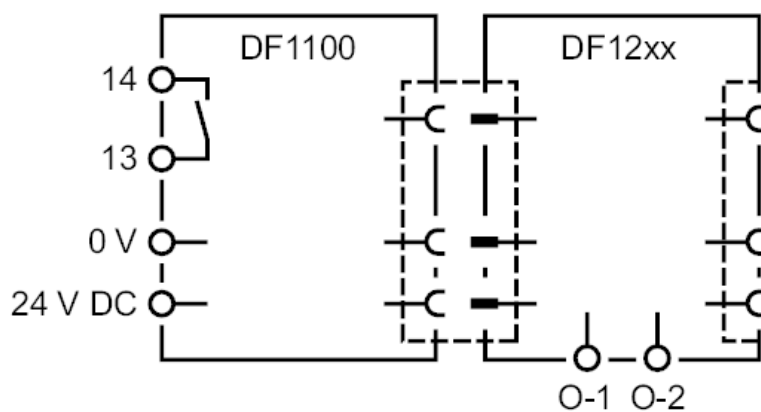
Fuse/Standard/24VDC/2x2A

Mechanical data		
Weight [g]		70
Housing		rectangular
Type of mounting		Mounting on DIN rail; (TH35 (EN 60715))
Dimensions [mm]		80 x 12.5 x 98.5
Displays / operating elements		
Display	status	2 x LED, red / green / orange
Operating elements	2 x	pushbuttons
Remarks		
Pack quantity		1 pcs.

Electrical connection

push-in terminals:
 contact lever/strip:

Connection



Diagrams and graphs

