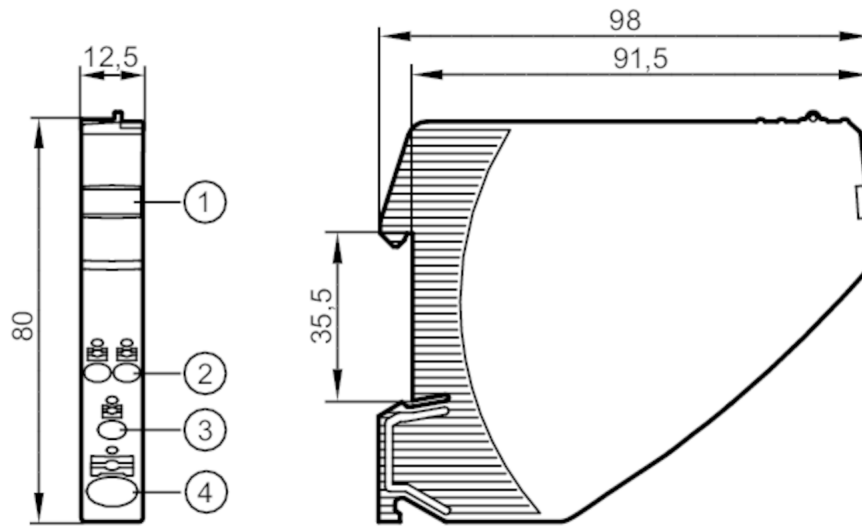


# DF1100



## Power supply module for electronic circuit breaker

Fuse/Standard/24VDC/Module



- 1 panel for labelling
- 2 push-in terminals Switching output 13/14
- 3 push-in terminal 0 V
- 4 push-in terminal 24 V DC



Electrical data		
Operating voltage	[V]	to SELV/PELV
Nominal voltage DC	[V]	24
Input voltage DC	[V]	19.2...30
Protection class		III
Reverse polarity protection		yes
Mains buffering time (nominal voltage 24 V DC)	[ms]	10
Input current (nominal voltage 24 V DC)	[A]	40
Closed-circuit current	[mA]	10
Operating conditions		
Ambient temperature	[°C]	-25...60
Storage temperature	[°C]	-40...70
Protection		IP 20; (on the front)
Degree of soiling		2
Tests / approvals		
EMC	EN 61000-6-3	radiation of interference
	EN 61000-6-2	noise immunity
Mechanical data		
Weight	[g]	67
Dimensions	[mm]	80 x 12.5 x 98
Electrical connection		
push-in terminals:		

# DF1100



## Power supply module for electronic circuit breaker

Fuse/Standard/24VDC/Module

contact lever/strip:

### Connection

