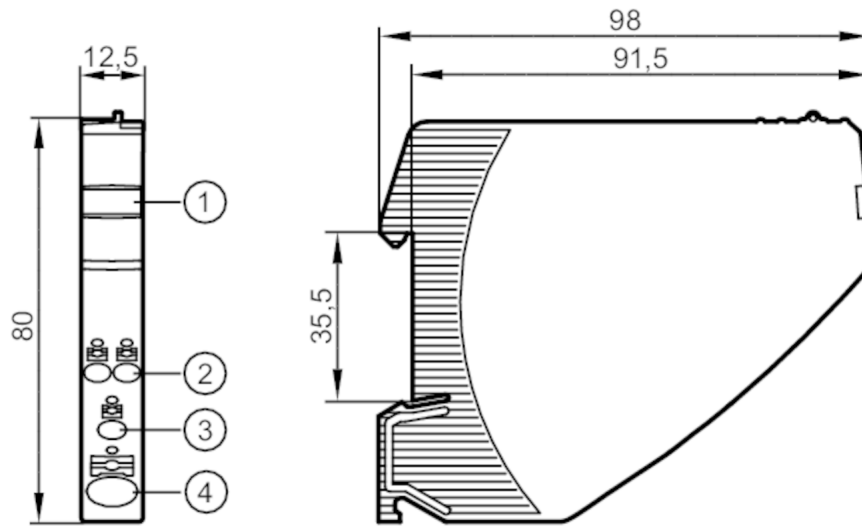


DF1100



Power supply module for electronic circuit breaker

Fuse/Standard/24VDC/Module



- 1 panel for labelling
- 2 push-in terminals switching output 13/14
- 3 push-in terminal 0 V
- 4 push-in terminal 24 V DC



Application

Design housing for DIN rail mounting

Electrical data

Operating voltage [V]	to SELV/PELV
Nominal voltage DC [V]	24
Input voltage DC [V]	19.2...30
Protection class	III
Reverse polarity protection	yes
Mains buffering time (nominal voltage 24 V DC) [ms]	10
Input current (nominal voltage 24 V DC) [A]	40
Closed-circuit current [mA]	10
Power loss (nominal voltage 24 V DC) [W]	0.24

Operating conditions

Ambient temperature [°C]	-25...60
Storage temperature [°C]	-40...70
Protection	IP 20; (on the front)
Pollution degree	2

Tests / approvals

EMC	EN 61000-6-3	radiation of interference
	EN 61000-6-2	immunity

Mechanical data

Weight [g]	67
------------	----

DF1100



Power supply module for electronic circuit breaker

Fuse/Standard/24VDC/Module

Housing	rectangular
Type of mounting	mounting on DIN rail; (TH35 (EN 60715))
Dimensions [mm]	80 x 12.5 x 98

Electrical connection

push-in terminals:

contact lever/strip:

Connection

