

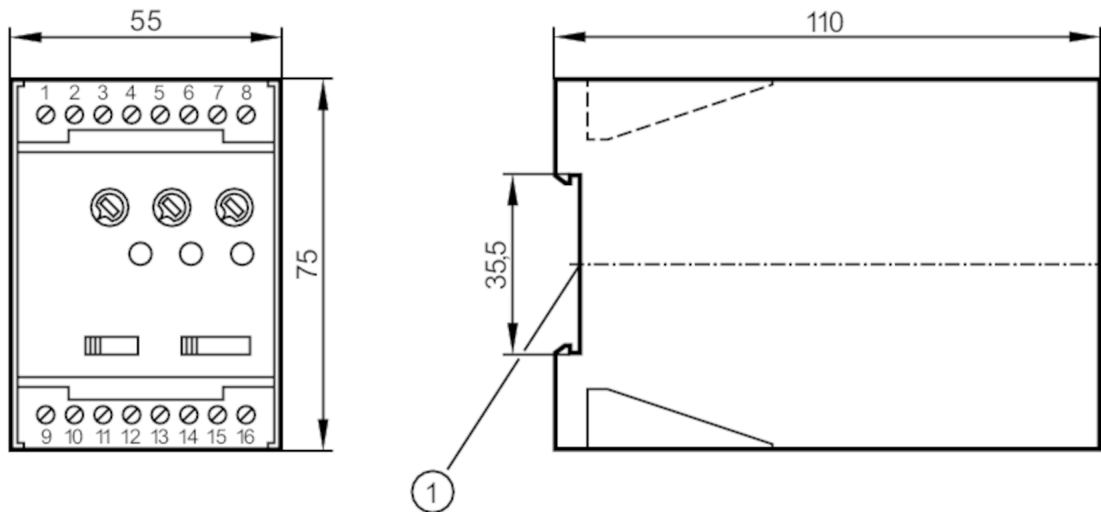


## Evaluation unit for speed monitoring

D100/230VAC

Article no longer available - archive entry

replaced by: DD0203 – Discontinuation date: 31.03.2015



1 Mounting on DIN rail



### Product characteristics

Housing	housing for DIN rail mounting
Dimensions [mm]	75 x 55 x 110

### Application

Application	universal evaluation of pulse sequences with regard to overspeed and underspeed; Rotational speed monitoring
-------------	--

### Electrical data

Nominal voltage AC [V]	< 230
Nominal voltage DC [V]	24
Nominal voltage tolerance [%]	10
Nominal voltage tolerance 2 [%]	10
Nominal frequency AC [Hz]	50...60
Auxiliary energy for sensors DC [V]	24; ( $\leq 30$ mA)

### Inputs / outputs

Number of inputs and outputs	Number of relay outputs: 1
------------------------------	----------------------------

### Outputs

Number of relay outputs	1
Contact rating	8 A / 1250 VA / 250 V AC

### Measuring/setting range

Setting range [Imp/min]	5...5000
-------------------------	----------

# DD0001



## Evaluation unit for speed monitoring

D100/230VAC

Accuracy / deviations		
Hysteresis	[% of Sr]	5...100
Repeatability	[% of Sr]	1
Reaction times		
Start-up delay	[s]	0.5...15
Software / programming		
Adjustment of the switch point	fine adjustment within the range with potentiometer	
Operating conditions		
Ambient temperature	[°C]	-20...70
Protection		IP 40
Protection rating terminals		IP 20
Tests / approvals		
MTTF	[years]	468
Mechanical data		
Weight	[g]	0.42
Housing		housing for DIN rail mounting
Dimensions	[mm]	75 x 55 x 110
Material		plastics
Displays / operating elements		
Display	Switching status	LED, green
	Power	1 x LED, green
Remarks		
Notes	Discontinued article	

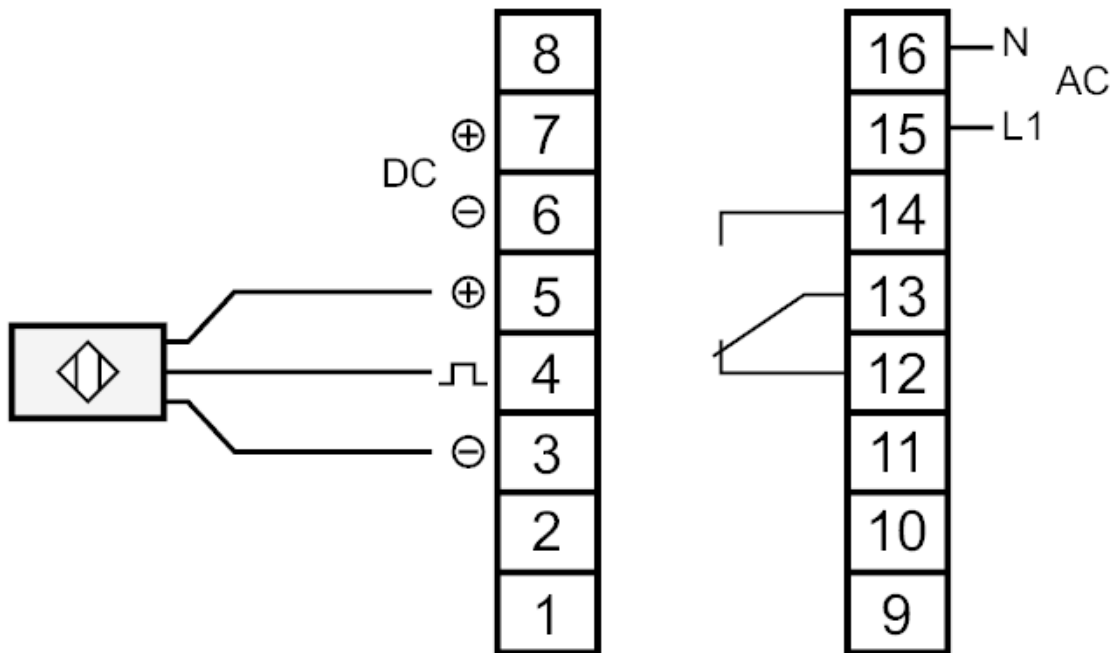


## Evaluation unit for speed monitoring

D100/230VAC

### Electrical connection

#### Connection



01:	not used
02:	not used
03:	DC Sensor supply (-)
04:	sensor signal pnp
05:	DC Sensor supply (+)
06:	DC Supply voltage (-)
07:	DC Supply voltage (+)
08:	not used
09:	not used
10:	not used
11:	not used
12:	Relay normally closed
13:	Relay common
14:	Relay normally open
15:	AC Supply voltage (L)
16:	AC Supply voltage (N)

Article no longer available - archive entry

# DD0001



**Evaluation unit for speed monitoring**

D100/230VAC

replaced by: DD0203 – Discontinuation date: 31.03.2015