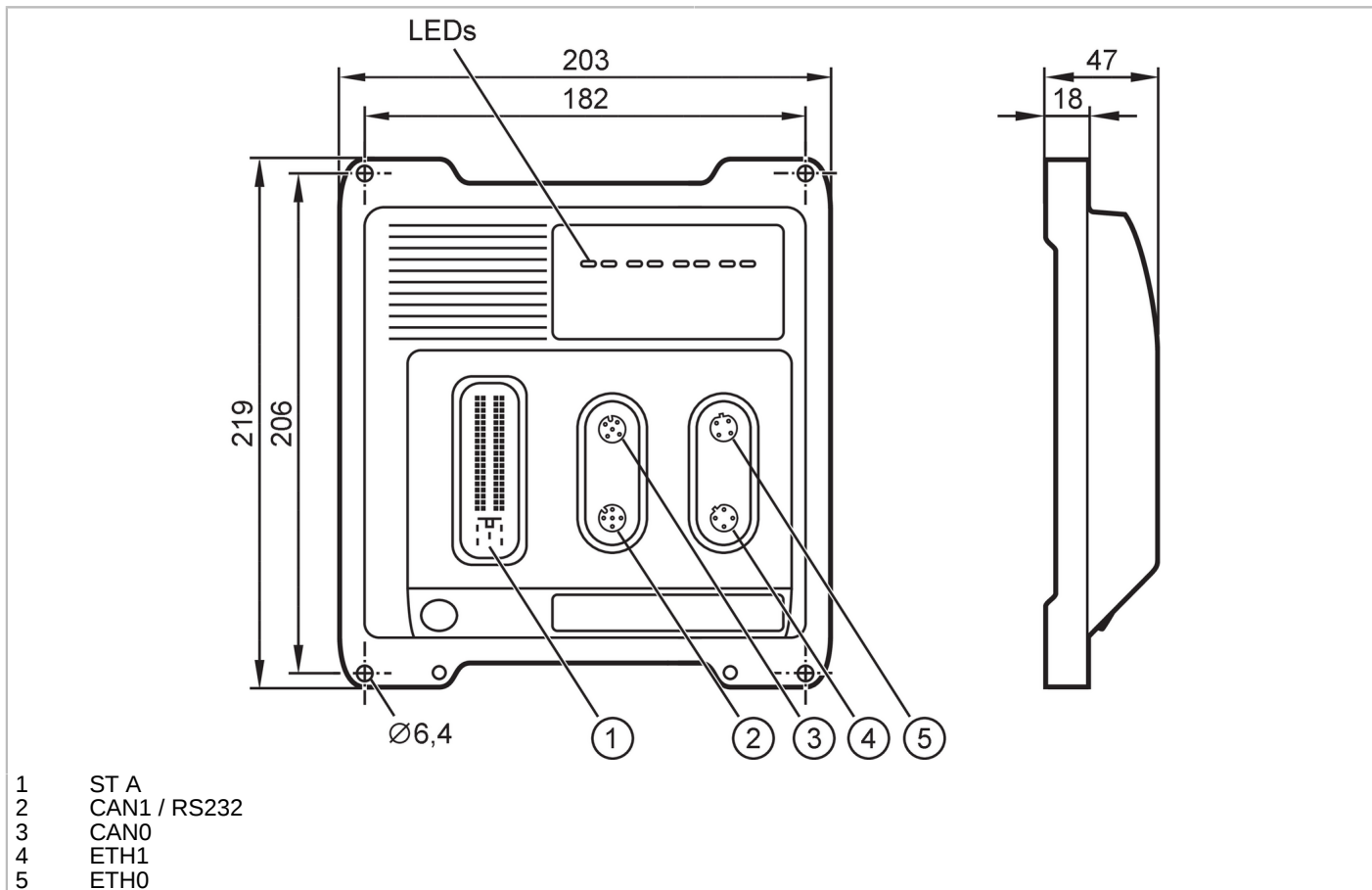


CR711S



Programmable controller for mobile machines

ecomatController/60



Electrical data	
Operating voltage [V]	8...32 DC
Current consumption [mA]	< 400
Reverse polarity protection	yes
Inputs / outputs	
Total number of inputs and outputs	60
Number of inputs and outputs	Number of digital inputs: 32; Number of analog inputs: 16; Number of frequency inputs: 8; Number of resistor inputs: 4; Number of digital outputs: 27; Number of analog outputs: 1; Number of outputs with H-bridge: 3
Inputs	
Number of frequency inputs	8
Number of resistor inputs	4
Number of digital inputs	32
Number of analog inputs	16
Analog input (current) [mA]	0...20
Analog input (voltage) [V]	0...32
Outputs	
Number of digital outputs	27
Number of analog outputs	1

CR711S



Programmable controller for mobile machines

ecomatController/60

Analog voltage output	[V]	0...10
Short-circuit protection		yes
Number of PWM outputs		27
Number of PWM-I outputs		18
Number of outputs with H-bridge		3
Software / programming		
Parameter setting options		input/output functions
PLC function to IEC 61131-3		yes
Interfaces		
Number of CAN interfaces		4
Number of Ethernet interfaces		1
Number of R232 interfaces		1
Operating conditions		
Storage temperature	[°C]	-40...85
Protection		IP 65; IP 67; (in conjunction with a corresponding connector)
Safety classification		
Complies with the requirements		ISO 13849-1: 2015 PL d IEC 62061 SIL 2
Mechanical data		
Weight	[g]	1525.5
Housing		rectangular
Type of mounting		screw mounting; (4 x M6)
Dimensions	[mm]	219 x 203 x 47
Accessories		
Items supplied		Protective cap: M12 self-tapping screw: 1 x M4, for shield connection
Remarks		
Pack quantity		1 pcs.