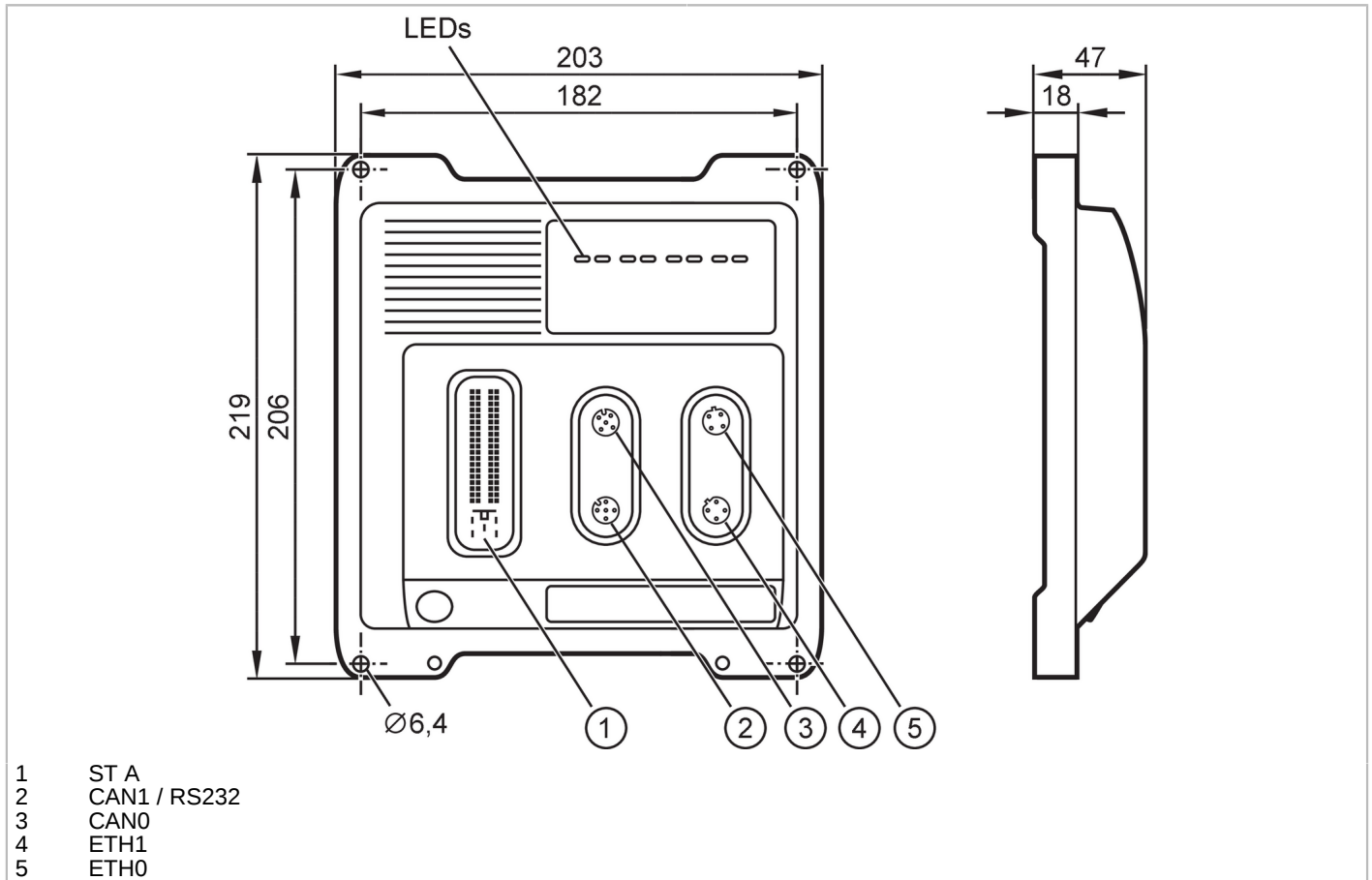


CR710S



Programmable controller for mobile machines

ecomatController/37



Electrical data

| | | |
|-----------------------------|------|-----------|
| Operating voltage | [V] | 8...32 DC |
| Current consumption | [mA] | < 400 |
| Reverse polarity protection | | yes |

Inputs / outputs

| | |
|------------------------------------|---|
| Total number of inputs and outputs | 37 |
| Number of inputs and outputs | Number of digital inputs: 20; Number of analog inputs: 8; Number of frequency inputs: 8; Number of resistor inputs: 4; Number of digital outputs: 16; Number of analog outputs: 1; Number of outputs with H-bridge: 2 |

Inputs

| | | |
|----------------------------|------|--------|
| Number of frequency inputs | 8 | |
| Number of resistor inputs | 4 | |
| Number of digital inputs | 20 | |
| Number of analog inputs | 8 | |
| Analog input (current) | [mA] | 0...20 |
| Analog input (voltage) | [V] | 0...32 |

Outputs

| | |
|---------------------------|----|
| Number of digital outputs | 16 |
| Number of analog outputs | 1 |

CR710S



Programmable controller for mobile machines

ecomatController/37

| | | |
|---------------------------------|------|--|
| Analog voltage output | [V] | 0...10 |
| Short-circuit protection | | yes |
| Number of PWM outputs | | 16 |
| Number of PWM-I outputs | | 10 |
| Number of outputs with H-bridge | | 2 |
| Software / programming | | |
| Parameter setting options | | input/output functions |
| PLC function to IEC 61131-3 | | yes |
| Interfaces | | |
| Number of CAN interfaces | | 4 |
| Number of Ethernet interfaces | | 1 |
| Number of R232 interfaces | | 1 |
| Operating conditions | | |
| Storage temperature | [°C] | -40...85 |
| Protection | | IP 65; IP 67; (in conjunction with a corresponding connector) |
| Safety classification | | |
| Complies with the requirements | | ISO 13849-1: 2015 PL d IEC 62061 SIL 2 |
| Mechanical data | | |
| Weight | [g] | 1546.3 |
| Housing | | rectangular |
| Type of mounting | | screw mounting; (4 x M6) |
| Dimensions | [mm] | 219 x 203 x 47 |
| Accessories | | |
| Items supplied | | Protective cap: M12 self-tapping screw: 1 x M4, for shield connection |
| Remarks | | |
| Pack quantity | | 1 pcs. |