

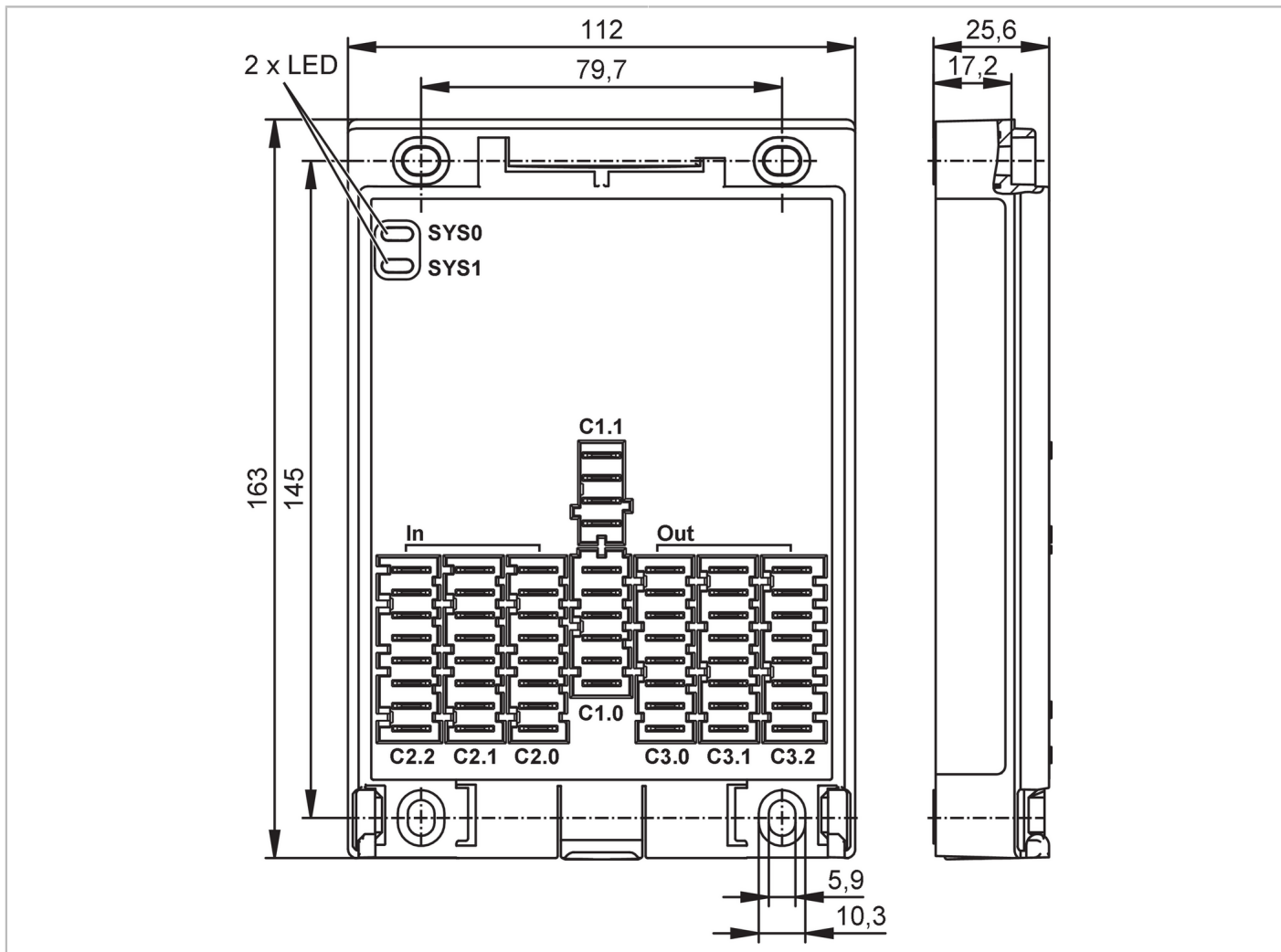
# CR403S



## Programmable controller for mobile machines

ecomatBasic/24

for use as a safety controller, a separately available licence (CP100S) is required



Product characteristics	
Total number of inputs	12
Total number of outputs	12
Communication interface	CAN
Protection	IP 20
Electrical data	
Operating voltage [V]	8...32 DC
Nominal voltage DC [V]	12 / 24
Power consumption [W]	4; (VBB30)
Reverse polarity protection	yes; (VBB30; VBB0, VBB1: in case of supply via the on-board system / battery)
Inputs / outputs	
Total number of inputs and outputs	24
Inputs	
Total number of inputs	12

# CR403S



## Programmable controller for mobile machines

ecomatBasic/24

Number of frequency inputs	4	
Number of resistor inputs	4	
Number of digital inputs	12	
Number of analog inputs	8	
<b>Digital inputs, frequency signal (IN FREQUENCY-B)</b>		
Number	4	
Plug C2.0	IN0400, IN0401 IN0500, IN0501	
Frequency input	function type	Frequency, cycle time
	software mode	IN_PERIOD_RATIO_CSO IN_PERIOD_RATIO_CSI
	input range [V]	0...32
	Frequency [Hz]	0,01...5000
	Switching level high [V]	> 70 % VBB30
	Switching level low [V]	< 30 % VBB30
	input resistance [ $\Omega$ ]	10000
	Accuracy	$\pm 10 \mu\text{s}$
Frequency input	function type	Frequency, cycle time
	software mode	IN_PERIOD_RATIO_US_CSO IN_PERIOD_RATIO_US_CSI
	input range [V]	0...32
	Frequency [Hz]	0,1...5000
	Switching level high [V]	> 70 % VBB30
	Switching level low [V]	< 30 % VBB30
	input resistance [ $\Omega$ ]	10000
	Accuracy	$\pm 10 \mu\text{s}$
Frequency input	function type	Frequency, cycle time
	software mode	IN_FREQUENCY_CSO IN_FREQUENCY_CSI
	input range [V]	0...32
	Frequency [Hz]	0,5...30000
	Switching level high [V]	> 70 % VBB30
	Switching level low [V]	< 30 % VBB30
	input resistance [ $\Omega$ ]	10000
	Accuracy	$\pm 10 \mu\text{s}$
Frequency input	function type	pulse
	software mode	IN_COUNT_CSO IN_COUNT_CSI
	input range [V]	0...32
	Frequency [Hz]	0...30000
	Switching level high [V]	> 70 % VBB30
	Switching level low [V]	< 30 % VBB30
	input resistance [ $\Omega$ ]	10000
	Accuracy	$\pm 10 \mu\text{s}$



## Programmable controller for mobile machines

ecomatBasic/24

Frequency input	function type	pulse, incremental
	software mode	IN_INC_ENCODER_CSO
		IN_INC_ENCODER_CSI
	input range [V]	0...32
	Frequency [Hz]	0...5000
	Switching level high [V]	> 70 % VBB30
	Switching level low [V]	< 30 % VBB30
	input resistance [ $\Omega$ ]	10000
	Accuracy	$\pm 10 \mu\text{s}$
	Frequency input	function type
software mode		IN_PHASE_CSO
		IN_PHASE_CSI
input range [V]		0...32
Frequency [Hz]		0,0625...5000
Switching level high [V]		> 70 % VBB30
Switching level low [V]		< 30 % VBB30
input resistance [ $\Omega$ ]		10000
Accuracy		$\pm 10 \mu\text{s}$
Analog input		function type
	software mode	IN_VOLTAGE_10
	input range [V]	0...10
	input resistance [ $\Omega$ ]	87600
	Resolution	12 Bit
	Accuracy	$\pm 100 \text{ mV}$
	input frequency [Hz]	< 330
	diagnostic level low	0 V; (configurable)
	diagnostic level high	10 V; (configurable)
	Digital input	function type
software mode		IN_DIGITAL_CSO
input range [V]		0...32
Switching level high [V]		> 65 % VBB30; (configurable)
Switching level low [V]		< 25 % VBB30; (configurable)
Resolution		12 Bit
Accuracy		$\pm 960 \text{ mV}$
input frequency [Hz]		< 330
input resistance [ $\Omega$ ]		10000
diagnostic level low		0 % VBB30; (configurable)
diagnostic level high	100 % VBB30; (configurable)	



## Programmable controller for mobile machines

ecomatBasic/24

Digital input	function type	binary, low-side
	software mode	IN_DIGITAL_CSI
		IN_DIGITAL_CSI_NAMUR
		IN_DIGITAL_CSI_BLANKING
	input range [V]	0...32
	Switching level high [V]	> 70 % VBB30; (configurable)
	Switching level low [V]	< 30 % VBB30; (configurable)
	Resolution	12 Bit
	Accuracy	± 320 mV
	input frequency [Hz]	< 330
	input resistance [Ω]	10000
	diagnostic level low	0 % VBB30; (configurable)
	diagnostic level high	400 % VBB30; (configurable)
<b>Multifunction inputs, analog / digital (IN MULTIFUNCTION-A)</b>		
Number	4	
Plug C2.2	IN0000, IN0001	
	IN0100, IN0101	
Analog input	function type	Current
	software mode	IN_CURRENT_CSI
	input range [mA]	0...20
	input resistance [Ω]	298
	Resolution	12 Bit
	Accuracy	± 345 µA
	input frequency [Hz]	< 330
	diagnostic level low	0 mA; (configurable)
	diagnostic level high	20 mA; (configurable)
Analog input	function type	Voltage
	software mode	IN_VOLTAGE_10
	input range [V]	0...10
	input resistance [Ω]	67600
	Resolution	12 Bit
	Accuracy	± 100 mV
	input frequency [Hz]	< 330
	diagnostic level low	0 V; (configurable)
	diagnostic level high	10 V; (configurable)
Analog input	function type	Voltage
	software mode	IN_VOLTAGE_32
	input range [V]	0...32
	input resistance [Ω]	51000
	Resolution	12 Bit
	Accuracy	± 320 mV
	input frequency [Hz]	< 330
	diagnostic level low	0 V; (configurable)
	diagnostic level high	32 V; (configurable)



## Programmable controller for mobile machines

ecomatBasic/24

Analog input	function type	Voltage, ratiometric
	software mode	IN_VOLTAGE_RATIO
	input range [V]	0...1000 ‰ VBB30
	input resistance [Ω]	51000
	Resolution	12 Bit
	Accuracy	± 100 mV
	input frequency [Hz]	< 330
	diagnostic level low	0 ‰; (configurable)
	diagnostic level high	1000 ‰; (configurable)
Digital input	function type	binary, low-side
	software mode	IN_DIGITAL_CSI
	input range [V]	0...32
	Switching level high [V]	> 70 ‰ VBB30; (configurable)
	Switching level low [V]	< 30 ‰ VBB30; (configurable)
	Resolution	12 Bit
	Accuracy	± 320 mV
	input frequency [Hz]	< 330
	input resistance [Ω]	9500
diagnostic level low	1 V; (configurable)	
diagnostic level high	400 ‰ VBB30; (configurable)	
<b>Digital / resistor inputs (IN RESISTOR-A)</b>		
Number	4	
Plug C2.1	IN0200, IN0201	
	IN0300, IN0301	
Digital input	function type	binary, low-side
	software mode	IN_DIGITAL_CSI
	input range [V]	0...32
	Switching level high [V]	> 70 ‰ VBB30; (configurable)
	Switching level low [V]	< 30 ‰ VBB30; (configurable)
	Resolution	12 Bit
	Accuracy	± 320 mV
	input frequency [Hz]	< 330
	input resistance [Ω]	3200
diagnostic level low	0 ‰ VBB30; (configurable)	
diagnostic level high	400 ‰ VBB30; (configurable)	
Digital input	function type	binary, low-side
	software mode	IN_DIGITAL_CSI_NAMUR
	input range [V]	0...32
	Switching level high [V]	> 70 ‰ VBB30 (configurable)
	Switching level low [V]	< 30 ‰ VBB30 (configurable)
	Resolution	12 Bit
	Accuracy	± 320 mV
	input frequency [Hz]	< 330
	input resistance [Ω]	3200
diagnostic level low	0 ‰ VBB30; (configurable)	
diagnostic level high	400 ‰ VBB30; (configurable)	



## Programmable controller for mobile machines

ecomatBasic/24

Resistor input	function type	binary, high-side
	software mode	IN_RESISTOR
	input range [ $\Omega$ ]	16...30000
	measuring current [mA]	< 2,0
	Resolution	12 Bit
	Accuracy	16...3000 $\Omega$ : $\pm 60 \Omega$
		3000...15000 $\Omega$ : $\pm 750 \Omega$
		15000...30000 $\Omega$ : $\pm 3000 \Omega$
	diagnostic level low	0 $\Omega$ ; (configurable)
	diagnostic level high	30000 $\Omega$ ; (configurable)

### Outputs

Total number of outputs	12
Number of digital outputs	12
Number of PWM outputs	12
Number of PWM-I outputs	2

### Output groups (OutputGroup-B)

Number	2	
Plug C1.0	VBB0, VBB1	
Output group switch	function type	virtual switch
	software mode	OUT_DIGITAL_VIRT
	Voltage range [V]	6...32
	voltage measurement [V]	0...36
	voltage measurement accuracy [mV]	$\pm 360$
	Current rating [A]	12
	lower limit of current monitoring [mA]	0; (configurable)
	upper limit of current monitoring [mA]	12000; (configurable)

### Digital / PWM outputs; 2,5 A (OUT PWM-25-A)

Number	2	
Plug C3.0	OUT0000, OUT0001	
PWM output	function type	binary, high-side
	software mode	OUT_PWM_CSO
	Voltage range [V]	6...32
	switching current [A]	0,025...2,5
	output frequency [Hz]	20...2000
	pulse/pause ratio	0...1000 ‰; (configurable)
	Min. load resistance [ $\Omega$ ]	12 V: 4,8 $\Omega$ / 24 V: 9,6 $\Omega$
	protective circuitry	inductive load; thermal protection
	current measurement [A]	0...4
	accuracy of the current measurement [mA]	$\pm 37,5$
	Diagnostic functions	wire break; short circuit; current monitoring
	lower limit of current monitoring [mA]	0; (configurable)
	upper limit of current monitoring [mA]	2500; (configurable)



## Programmable controller for mobile machines

ecomatBasic/24

PWM-I output	function type	current-controlled
	software mode	OUT_CURRENT_CSO
	Voltage range [V]	6...32
	switching current [A]	0,025...2,5
	output frequency [Hz]	20...2000
	control range [A]	0,05...2,5
	control resolution [mA]	2
	Min. load resistance [ $\Omega$ ]	12 V: 4,8 $\Omega$ / 24 V: 9,6 $\Omega$
	protective circuitry	inductive load; thermal protection
	current measurement [A]	0...4
	accuracy of the current measurement [mA]	$\pm 37,5$
	Diagnostic functions	wire break; short circuit; current monitoring
	lower limit of current monitoring [mA]	0; (configurable)
	upper limit of current monitoring [mA]	2500; (configurable)
	Digital output	function type
software mode		OUT_DIGITAL_CSO
Voltage range [V]		6...32
switching current [A]		0,025...2,5
Min. load resistance [ $\Omega$ ]		12 V: 4,8 $\Omega$ / 24 V: 9,6 $\Omega$
protective circuitry		inductive load; thermal protection
current measurement [A]		0...4
accuracy of the current measurement [mA]		$\pm 37,5$
Diagnostic function		wire break; short circuit; current monitoring
lower limit of current monitoring [mA]		0; (configurable)
upper limit of current monitoring [mA]		2500; (configurable)
Digital / PWM outputs; 2,5 A (OUT PWM-25-B)		
Number	4	
Plug C3.0	OUT0002, OUT0003	
Plug C3.2	OUT0100, OUT0101	
PWM output	function type	binary, high-side
	software mode	OUT_PWM_CSO
	Voltage range [V]	6...32
	switching current [A]	0,025...2,5
	output frequency [Hz]	20...2000
	pulse/pause ratio	0...1000 ‰; (configurable)
	Min. load resistance [ $\Omega$ ]	12 V: 4,8 $\Omega$ / 24 V: 9,6 $\Omega$
	protective circuitry	inductive load; thermal protection
	current measurement [A]	0...4
	accuracy of the current measurement [mA]	$\pm 188$
	Diagnostic functions	wire break; short circuit; current monitoring
	lower limit of current monitoring [mA]	0; (configurable)
upper limit of current monitoring [mA]	2500; (configurable)	



## Programmable controller for mobile machines

ecomatBasic/24

Digital output	function type	binary, high-side
	software mode	OUT_DIGITAL_CSO
	Voltage range [V]	6...32
	switching current [A]	0,025...2,5
	Min. load resistance [ $\Omega$ ]	12 V: 4,8 $\Omega$ / 24 V: 9,6 $\Omega$
	protective circuitry	inductive load; thermal protection
	current measurement [A]	0...4
	accuracy of the current measurement [mA]	$\pm 188$
	Diagnostic function	wire break; short circuit; current monitoring
	lower limit of current monitoring [mA]	0; (configurable)
upper limit of current monitoring [mA]	2500; (configurable)	

### Digital / PWM outputs; 4,0 A (OUT PWM-40-B)

Number	2	
Plug C3.2	OUT0102, OUT0103	
PWM output	function type	binary, high-side
	software mode	OUT_PWM_CSO
	Voltage range [V]	6...32
	switching current [A]	0,025...4,0
	output frequency [Hz]	20...2000
	pulse/pause ratio	0...1000 ‰; (configurable)
	Min. load resistance [ $\Omega$ ]	12 V: 4,8 $\Omega$ / 24 V: 9,6 $\Omega$
	protective circuitry	inductive load; thermal protection
	current measurement [A]	0...6
	accuracy of the current measurement [mA]	$\pm 300$
	Diagnostic functions	wire break; short circuit; current monitoring
	lower limit of current monitoring [mA]	0; (configurable)
	upper limit of current monitoring [mA]	4000; (configurable)
Digital output	function type	binary, high-side
	software mode	OUT_DIGITAL_CSO
	Voltage range [V]	6...32
	switching current [A]	0,025...4,0
	Min. load resistance [ $\Omega$ ]	12 V: 4,8 $\Omega$ / 24 V: 9,6 $\Omega$
	protective circuitry	inductive load; thermal protection
	current measurement [A]	0...6
	accuracy of the current measurement [mA]	$\pm 300$
	Diagnostic function	wire break; short circuit; current monitoring
	lower limit of current monitoring [mA]	0; (configurable)
upper limit of current monitoring [mA]	4000; (configurable)	

### Digital / PWM outputs; 1,0 A (OUT PWM-10-D)

Number	4	
Plug C3.1	OUT0004...OUT0007	

# CR403S



## Programmable controller for mobile machines

ecomatBasic/24

PWM output	function type	binary, high-side
	software mode	OUT_PWM_CSO
	Voltage range [V]	6...32
	switching current [A]	0,025...1,0
	output frequency [Hz]	20...2000
	pulse/pause ratio	1...1000 ‰; (configurable)
	Resolution	1 ‰; (20...250 Hz)
	Min. load resistance [ $\Omega$ ]	12 V: 12 $\Omega$ / 24 V: 24 $\Omega$
Digital output	protective circuitry	inductive load; thermal protection
	function type	binary, high-side
	software mode	OUT_DIGITAL_CSO
	Voltage range [V]	6...32
	switching current [A]	0,025...1,0
	Min. load resistance [ $\Omega$ ]	12 V: 12 $\Omega$ / 24 V: 24 $\Omega$
	protective circuitry	inductive load; thermal protection

### Software / programming

Parameter setting options	CODESYS 3.5
PLC function to IEC 61131-3	yes
Operating system	Echtzeit-Betriebssystem

### Interfaces

Communication interface	CAN
Number of CAN interfaces	2
Transmission rate	20 kBit/s... 1 MBit/s
Protocol	CANopen; SAE J1939
Interface	CAN Interface 2.0 A/B ISO 11898

### Operating conditions

Ambient temperature	[°C]	-40...85
Note on ambient temperature		for further details see section Diagrams and graphs
Storage temperature	[°C]	-40...85
Max. relative air humidity	[%]	90; (non condensing)
Max. height above sea level	[m]	5000
Protection		IP 20
Degree of soiling		2
Chemical media	ISO 16750-5	AA, BB, BD, CC, DB, DC, DD, ED
		chemical resistance of the plastics
		only one chemical permitted at a time



## Programmable controller for mobile machines

ecomatBasic/24

Tests / approvals		
EMC	IEC 61000-6-2	noise immunity
	IEC 61000-6-4	noise emission
	IEC 61326-1	
	ISO 7637-2 pulse 1	severity level 4 / function state C (24 V)
	ISO 7637-2 pulse 2a	severity level 4 / function state A (24 V)
	ISO 7637-2 pulse 2b	severity level 4 / function state C (24 V)
	ISO 7637-2 pulse 3a	severity level 4 / function state A (24 V)
	ISO 7637-2 pulse 3b	severity level 4 / function state A (24 V)
	ISO 7637-2 pulse 4	severity level 3 / function state A (12 V)
	ISO 7637-2 pulse 4	severity level 4 / function state A (24 V)
	ISO 7637-2 pulse 5	severity level 3 / function state A (24 V)
	DIN EN ISO 13766-1	earth-moving and construction machines
	UN/ECE-R10	Noise emission and noise interference:
	Continuous shock resistance	ISO 16750-3
Fast temperature changes	EN 60068-2-30 damp heat: cyclical	55 °C upper temperature limit / 6 cycles
	EN 60068-2-78 damp heat: constant	40 °C 93 % rH / test period 21 days
Vibration resistance	ISO 16750-3 Test VII	random, mounting place car body
	EN 60068-2-6 Sinus	10...500 Hz / 10 cycles/axis, sine
Electrical safety	IEC 61010-1	safety requirements: general requirements
	IEC 61010-2-201	safety requirements: particular requirements for control equipment

Mechanical data		
Weight	[g]	424.4
Housing		rectangular
Type of mounting		screw mounting; (4 x M4)
Dimensions	[mm]	163 x 112 x 25.6
Material		housing: PPE + PS

Displays / operating elements		
Display	status (SYS0)	1 LED, multi-color
	status (SYS1)	1 LED, multi-color

Operating states - system / hardware		
Display	no operating system loaded	LED (SYS0), green flashing 5 Hz
	hardware error fatal error+	LED (SYS0), red lights
	system error fatal error	LED (SYS0/SYS1), red lights
	update	LED (SYS0/SYS1), yellow/green flashing 2 Hz
	sleep mode	LED (SYS0), blue lights

PLC application (SYS0 / SYS1)		
Display	no application	LED, green lights
	run	LED, green flashing 2 Hz
	fault	LED, red flashing 10 Hz
	debug run	LED, yellow flashing 2 Hz
	debug stop	LED, yellow lights

Hardware		
Processor		32-Bit Triple-Core
Working memory		2,7 MByte RAM

# CR403S



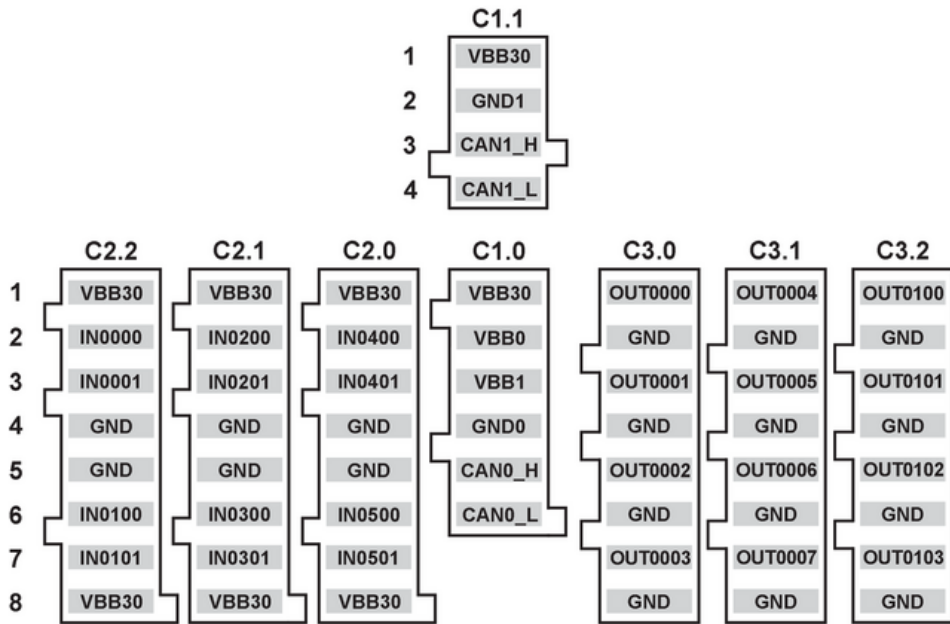
## Programmable controller for mobile machines

ecomatBasic/24

Mass storage	9 MByte Flash
Non-volatile memory	10 kByte
<b>Remarks</b>	
Notes	for use as a safety controller, a separately available licence (CP100S) is required
Pack quantity	1 pcs.

### Electrical connection

#### Connection



#### voltage supply / C1.0

1	VBB30
2	VBB0
3	VBB1
4	GND0
5	CAN0_H
6	CAN0_L

#### voltage supply / C1.1

1	VBB30
2	GND1
3	CAN1_H
4	CAN1_L

#### IN FREQUENCY - B / C2.0

1	VBB30
2	IN0400
3	IN0401
4	GND
5	GND
6	IN0500
7	IN0501
8	VBB30



## Programmable controller for mobile machines

ecomatBasic/24

### IN RESISTOR - A / C2.1

1	VBB30
2	IN0200
3	IN0201
4	GND
5	GND
6	IN0300
7	IN0301
8	VBB30

### IN MULTIFUNCTION - A / C2.2

1	VBB30
2	IN0000
3	IN0001
4	GND
5	GND
6	IN0100
7	IN0101
8	VBB30

### OUT PWM-25-A / C3.0

1	OUT0000
2	GND
3	OUT0001
4	GND

### OUT PWM-25-B / C3.0

5	OUT0002
6	GND
7	OUT0003
8	GND

### OUT PWM-10-D / C3.1

1	OUT0004
2	GND
3	OUT0005
4	GND
5	OUT0006
6	GND
7	OUT0007
8	GND

### OUT PWM-25-B / C3.2

1	OUT0100
2	GND
3	OUT0101
4	GND

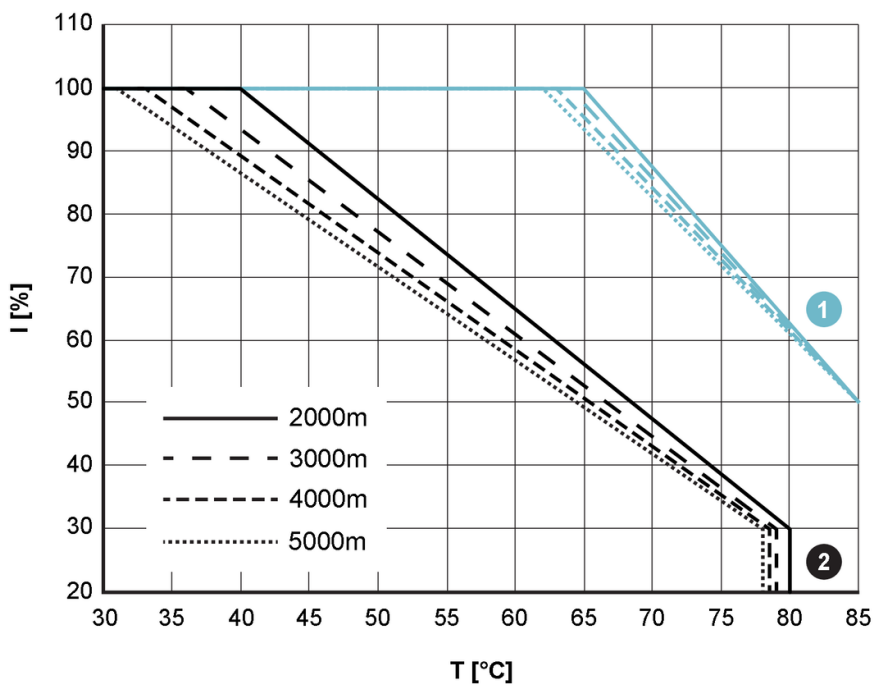
### OUT PWM-40-B / C3.2

5	OUT0102
6	GND
7	OUT0103
8	GND



### Diagrams and graphs

characteristics current rating



characteristics for the current rating depending on the temperature and operating altitude

X: Ambient temperature T [°C]

Y: current rating for VBB0, VBB1 I [%]

1: installation on painted metal plate

2: installation in a standard cabinet on a surface with low thermal conductivity (e.g. wood/plastic)

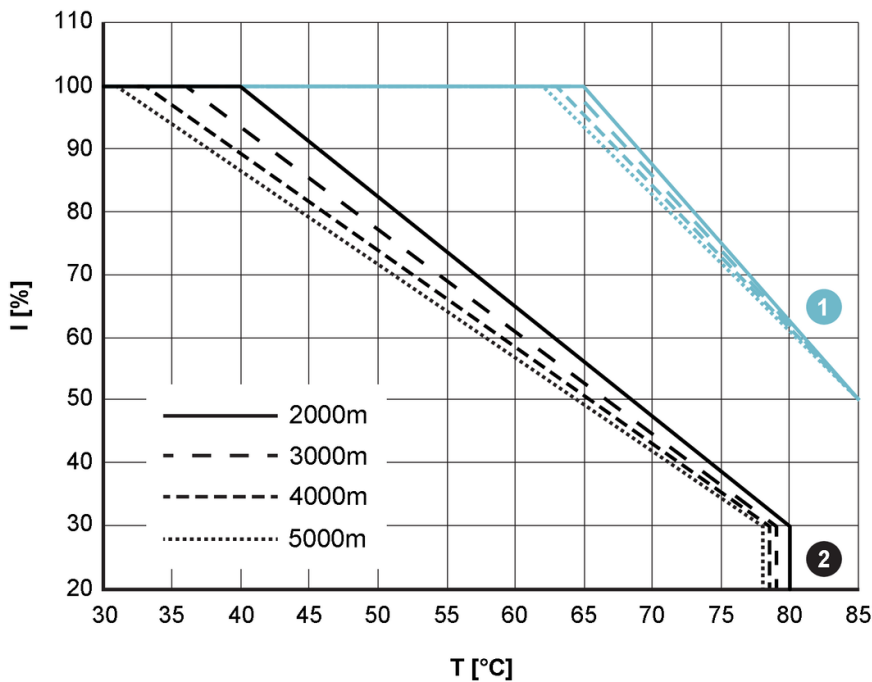
# CR403S



## Programmable controller for mobile machines

ecomatBasic/24

### characteristics switching current



characteristics for the switching current depending on the temperature and operating altitude

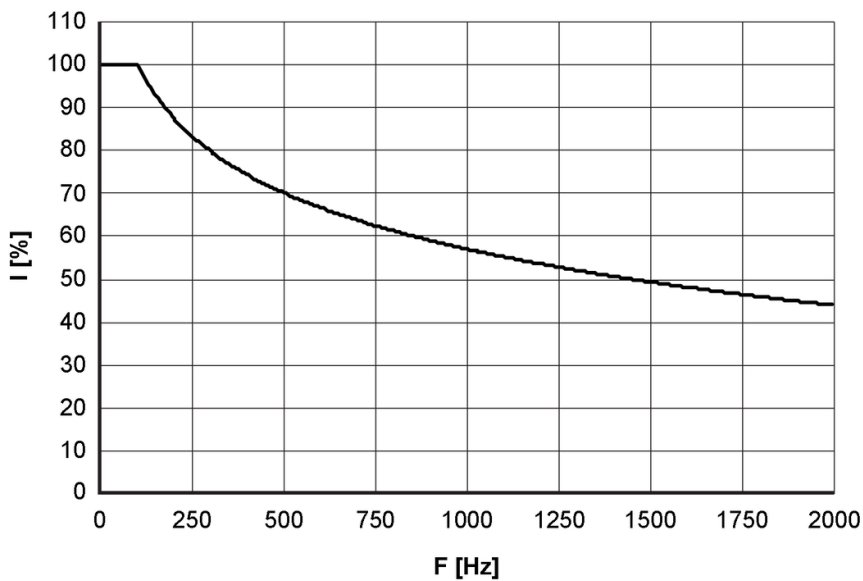
X: Ambient temperature T [°C]

Y: switching current of the outputs I [%]

1: installation on painted metal plate

2: installation in a standard cabinet on a surface with low thermal conductivity (e.g. wood/ plastic)

### characteristics output frequency



characteristics for the switching current depending on the output frequency

X: output frequency F [Hz]

Y: switching current of the outputs I [%]