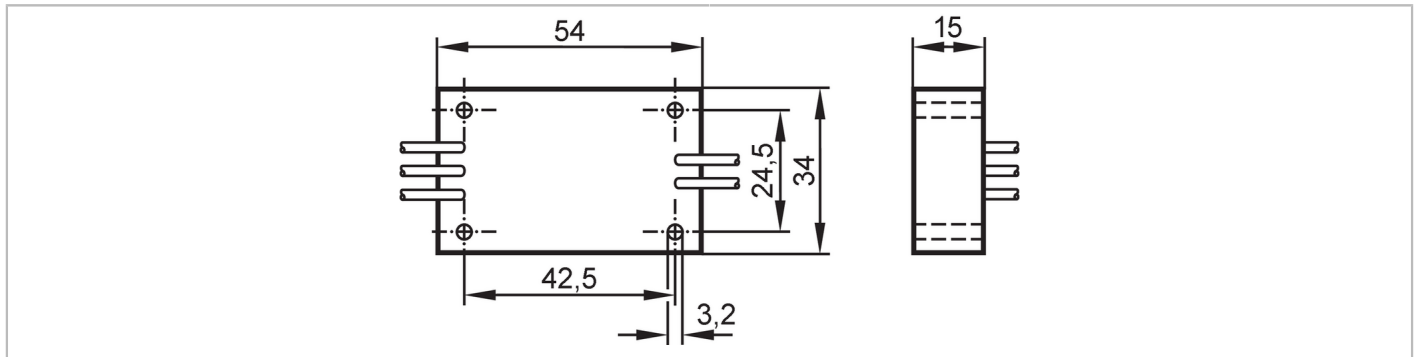


CR3004



PWM to analog signal converter

R360/PWM-ANALOG-MODULE



| Application | |
|--|--|
| Design | housing module |
| Electrical data | |
| Operating voltage [V] | 24...30 DC |
| Current consumption [mA] | < 20 |
| Reverse polarity protection | yes |
| Inputs / outputs | |
| Number of inputs and outputs | Number of analog outputs: 1 |
| Inputs | |
| Number of PWM inputs | 1 |
| PWM frequency inputs [Hz] | 122 |
| Outputs | |
| Number of analog outputs | 1 |
| Analog voltage output [V] | 0...10 |
| Operating conditions | |
| Ambient temperature [°C] | -40...85 |
| Note on ambient temperature | wires flexed -5...105 °C wires at rest -30...105 °C |
| Protection | IP 67 |
| Mechanical data | |
| Weight [g] | 70.5 |
| Dimensions [mm] | 54 x 34 x 15 |
| Material | polyamide reinforced glass-fiber |
| Remarks | |
| Pack quantity | 1 pcs. |
| Electrical connection | |
| Cable: 0.28 m; / Core ends with wire end sleeves | |
| Input | |
| red | +24 V DC |
| black | PWM IN |
| blue | GND |

CR3004



PWM to analog signal converter

R360/PWM-ANALOG-MODULE

Output

| | |
|-------|--------|
| black | 0-10 V |
| blue | GND |

Diagrams and graphs

