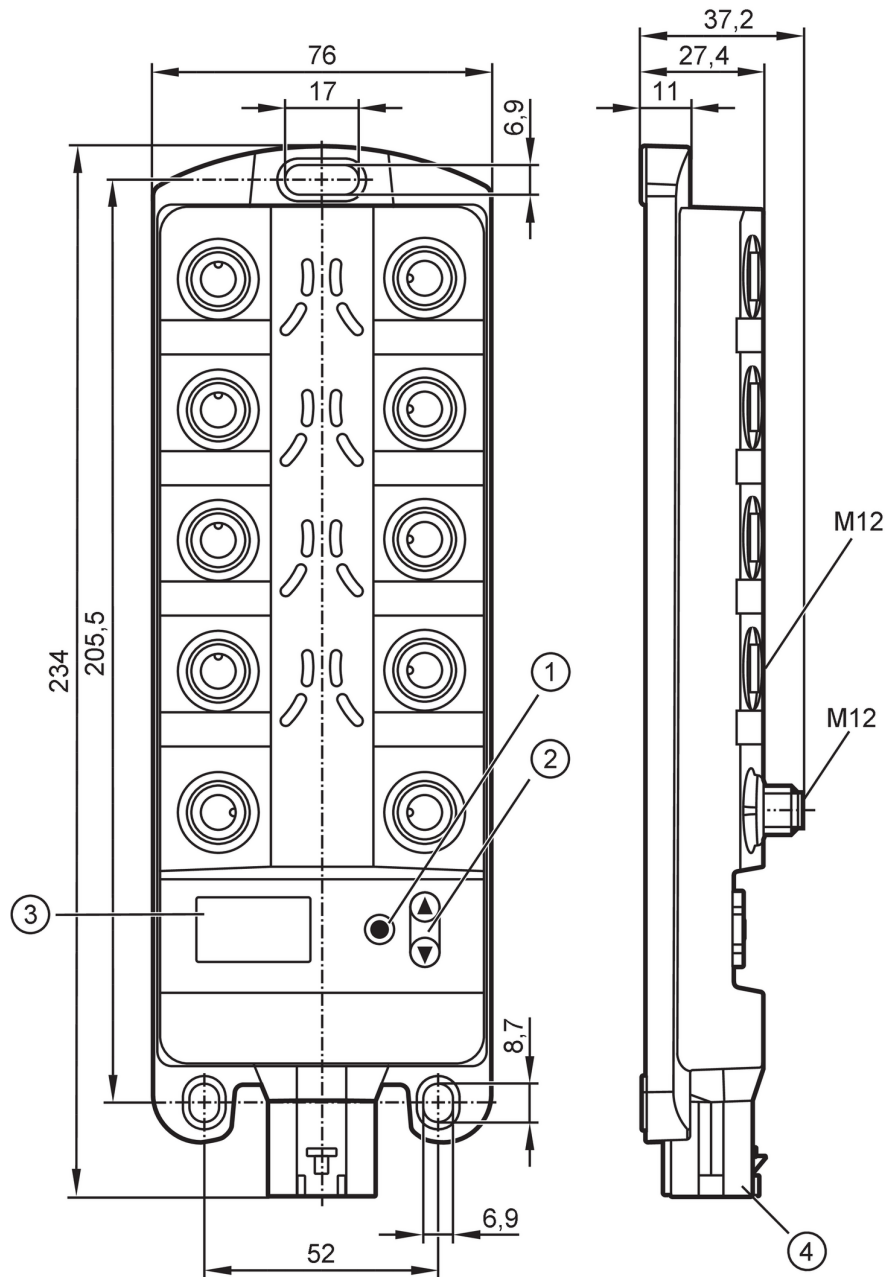


# CR2041



## Output module for mobile machines

ioControl/Out 16/M12



- 1 pushbutton ENTER
- 2 Pushbuttons UP/DOWN
- 3 10-segment display
- 4 AMP connector



### Application

Special feature gold-plated contacts

### Electrical data

Operating voltage [V]	8...32 DC
Nominal voltage DC [V]	12 / 24
Current consumption [mA]	188; (24 V DC: 105 mA; maximum: 300 mA)
Reverse polarity protection	yes
Overvoltage protection	yes; (36 V: t ≤ 10 s)



## Output module for mobile machines

ioControl/Out 16/M12

Inputs / outputs		
Total number of inputs and outputs		16
Number of inputs and outputs		Number of digital outputs: 16
Outputs		
Total number of outputs		16
Number of digital outputs		16
Short-circuit protection		yes
Short-circuit proof		yes
Number of PWM outputs		16
Number of PWM-I outputs		8
Software / programming		
Parameter setting options		CODESYS 2.3
PLC function to IEC 61131-3		yes
Interfaces		
Communication interface		CAN
Number of CAN interfaces		2
Transmission rate		20 kBit/s... 1 MBit/s
Protocol		CANopen; SAE J1939; free protocol
Profile		CiA DS 301 Version 4; CiA DS 401 Version 1.4
Interface		CAN Interface 2.0 A/B ISO 11898
Factory settings		CAN1: 250 kBit/s CAN2: 250 kBit/s
Operating conditions		
Ambient temperature	[°C]	-40...85
Storage temperature	[°C]	-40...85
Max. relative air humidity	[%]	90; (non condensing)
Max. height above sea level	[m]	2000
Protection		IP 65; IP 67
Degree of soiling		2
Tests / approvals		
EMC	UN/ECE-R10 Noise emission and noise interference:	100 V/m
	DIN EN 61000-6-2 ESD	
	DIN EN 61000-6-4 Burst	
	ISO 7637-2 pulse 1	severity level 4 / function state C (24 V)
	ISO 7637-2 pulse 2a	severity level 4 / function state A (24 V)
	ISO 7637-2 pulse 2b	severity level 4 / function state C (24 V)
	ISO 7637-2 pulse 3a	severity level 4 / function state A (24 V)
	ISO 7637-2 pulse 3b	severity level 4 / function state A (24 V)
	ISO 7637-2 pulse 4	severity level 4 / function state B (24 V)
	ISO 7637-2 pulse 5	severity level 3 / function state C (24 V)
	ISO 7637-2 pulse 4	severity level 3 / function state C (12 V)
Continuous shock resistance	ISO 16750-3	30 g 6 ms / 24000 shocks
Fast temperature changes	EN 60068-2-30 damp heat: cyclical	55 °C upper temperature limit / 6 cycles
	EN 60068-2-78 damp heat: constant	40 °C 93 % rH / test period 21 days

# CR2041



## Output module for mobile machines

ioControl/Out 16/M12

Vibration resistance	ISO 16750-3 Test VII	random, mounting place car body
	EN 60068-2-6 Sinus	10...500 Hz / 10 cycles/axis, sine
MTTF [years]		95

Mechanical data		
Weight [g]		655.9
Housing		rectangular
Type of mounting		Backplane mounting
Dimensions [mm]		234 x 76 x 37.2
Material		housing: PA6/6.6; Display: PA; Pushbuttons: silicone

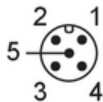
Displays / operating elements		
Display	function and status display	LEDs, multi-color
	setting parameters	10-segment LED display, red/green 4-digit
Operating elements	navigation	pushbuttons

Hardware		
Processor		Freescall PowerPC 50 MHz
Working memory		592 kByte
Mass storage		1536 kByte Flash / 1 kByte FRAM

Remarks		
Pack quantity		1 pcs.

### Electrical connection - CAN IN

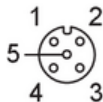
Connector: 1 x M12; coding: A; Contacts: 5, gold-plated



CAN IN	
1	Shield
2	V_CAN
3	GND_CAN
4	CAN1_H
5	CAN1_L

### Electrical connection - CAN OUT

Connector: 1 x M12; coding: A; Contacts: 5, gold-plated



CAN OUT	
1	Shield
2	V_CAN
3	GND_CAN
4	CAN1_H
5	CAN1_L

# CR2041

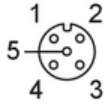


## Output module for mobile machines

ioControl/Out 16/M12

### Electrical connection - Outputs

Connector: 8 x M12; coding: A; Contacts: 5, gold-plated

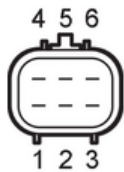


#### Con. 1...8

1	n.c.
2	OUTn
3	GND1
4	OUTn
5	n.c.

### Electrical connection - supply / CAN interface

Connector: 1 x AMP connector (TE-AMP 1745078-1); Contacts: tin-plated



#### X1

1	GND1
2	CAN2_L
3	GND2
4	VBBs
5	CAN2_H
6	VBB2