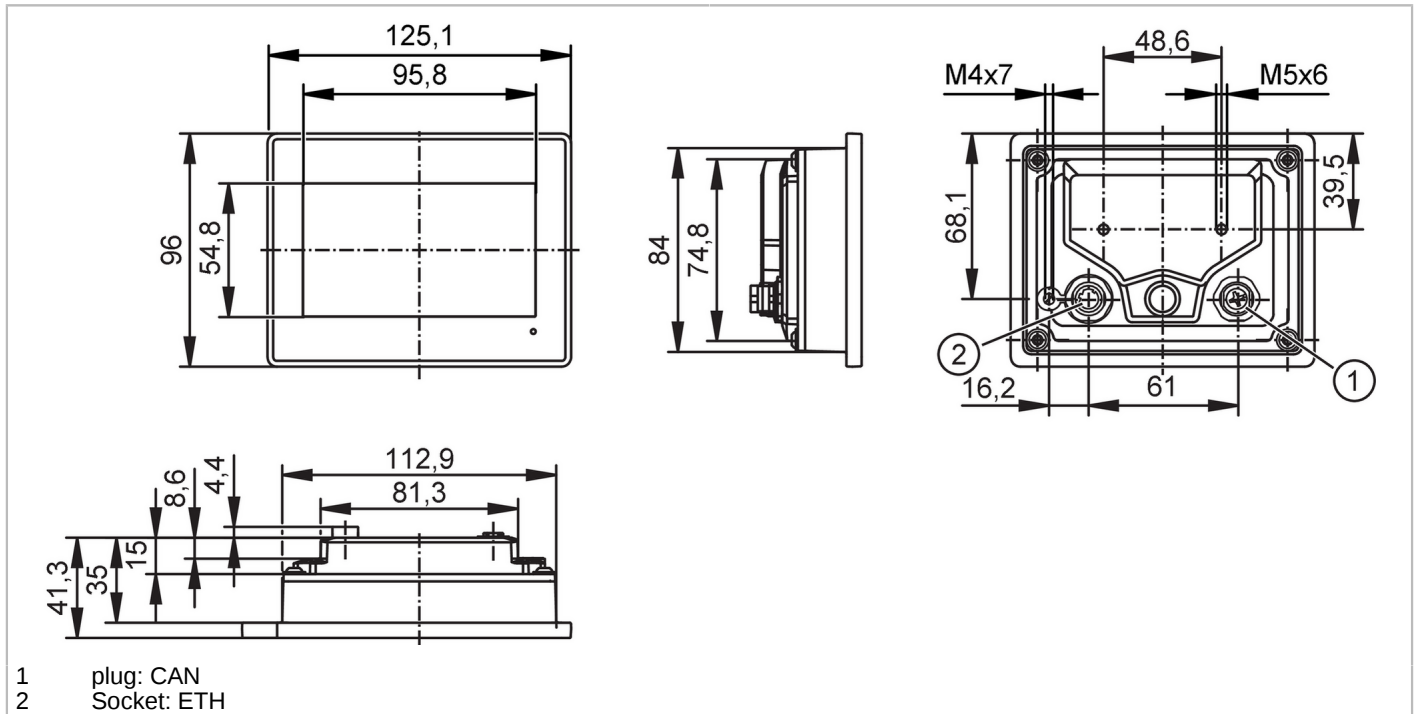


CR1142



Programmable Human Machine Interface

ecomatDisplay/4.3"/TOUCH/E



Product characteristics

Communication interface	CAN; Ethernet
Display type	color display with touch function

Application

Application	for mobile applications; For use in industrial environments; for use in wet environments
-------------	------------------------------------------------------------------------------------------

Electrical data

Operating voltage [V]	8...32 DC; (to SELV/PELV)
Nominal voltage DC [V]	12 / 24
Current consumption [mA]	< 210; (24 V DC)
Power consumption [W]	5
Overvoltage category	II

Inputs / outputs

Number of inputs and outputs	Number of digital inputs: 1
------------------------------	-----------------------------

Inputs

Number of digital inputs	1; (non-configurable service input)
--------------------------	-------------------------------------

Software / programming

Parameter setting options	CODESYS 3.5; Qt
PLC function to IEC 61131-3	yes
Operating system	Embedded Linux

Interfaces

Communication interface	CAN; Ethernet
Number of CAN interfaces	1
Number of Ethernet interfaces	1



Programmable Human Machine Interface

ecomatDisplay/4.3"/TOUCH/E

CAN		
Transmission rate	10 kBit/s... 1 MBit/s	
Protocol	CANopen; SAE J1939; free protocol	
Profile	CiA DS 301 Version 4.2; CiA DS 401 Version 1.4	
Interface	CAN Interface 2.0 A/B ISO 11898	
Factory settings	Transmission rate: 250 kBit/s	
Ethernet		
Transmission standard	10Base-T; 100Base-TX	
Transmission rate	10 MBit/s; 100 MBit/s	
Protocol	TCP/IP; UDP; Modbus TCP; OPC UA; EtherNet/IP	
Note on interfaces	OPC UA PubSub	
Operating conditions		
Ambient temperature	[°C]	-30...65
Note on ambient temperature		2000 m: -30...65 °C
		3000 m: -30...61 °C
		4000 m: -30...60 °C
		5000 m: -30...58 °C
		The mainboard temperature must not exceed 80 °C. for further information please see the operating instructions
Storage temperature	[°C]	-30...85
Max. relative air humidity	[%]	90; (non condensing)
Max. height above sea level	[m]	5000
Protection		IP 65; IP 67
Degree of soiling		2; (before installation and when the device is replaced)
Chemical media	ISO 16750-5	AA, BA, BD, CC, DB, DC, DD, ED
		only one chemical permitted at a time
Tests / approvals		
EMC	UN/ECE-R10 Noise emission and noise interference:	100 V/m
	DIN EN IEC 61000-6-2	noise immunity
	DIN EN IEC 61000-6-4	noise emission
	DIN EN IEC 13766-1	earth-moving and construction machines
	ISO 10605 ESD	
	ISO 7637-2 pulse 1	severity level 4 / function state C (24 V)
	ISO 7637-2 pulse 2a	severity level 4 / function state A (24 V)
	ISO 7637-2 pulse 2b	severity level 4 / function state C (24 V)
	ISO 7637-2 pulse 3a	severity level 4 / function state A (24 V)
	ISO 7637-2 pulse 3b	severity level 4 / function state A (24 V)
	ISO 16750-2 pulse 4	severity level 4 / function state A (12 V)
	ISO 16750-2 pulse 4	severity level 4 / function state A (24 V)
	ISO 16750-2 pulse 5	severity level 3 / function state C (24 V)
Continuous shock resistance	ISO 16750-3	30 g 6 ms / 24000 shocks
Fast temperature changes	EN 60068-2-30 damp heat: cyclical	55 °C upper temperature limit / 6 cycles
	EN 60068-2-78 damp heat: constant	40 °C 93 % rH / test period 21 days
Vibration resistance	ISO 16750-3 Test VII	random, mounting place car body
	EN 60068-2-6 sine	10...500 Hz / 0.72 mm / 10 g 10 cycles/axis, sine

CR1142



Programmable Human Machine Interface

ecomatDisplay/4.3"/TOUCH/E

Salt spray test	EN 60068-2-52 Salt spray	test method 3 / motor vehicle
MTTF [years]		109
Railway applications	DIN EN 50155 Pkt 13.3	
	EN 50121-3-2	
	EN 55016	

Mechanical data

Weight [g]	468.9
Type of mounting	panel/surf.; installation in panels or panel cutouts
Dimensions [mm]	96 x 125.1 x 41.3
Material	housing: diecast aluminium powder-coated; Display: glass anti-reflective and hardened; rear of the housing: plastics; diaphragm: Gore-Tex
Information on service life	Display LED lifetime: > 50000 h

Displays / operating elements

Display	Status LED	1 LED, multi-color freely programmable
Display resolution		800 x 480
Display type		color display with touch function
Display size		4.3"
Aspect ratio		16:10
Display background illumination		LED
Color depth		24 Bit
Brightness [cd/m ²]		1000; (adjustable: 0...100 %; In steps of: 1 %)
Contrast ratio		800:1

Hardware

Processor	ARM Dual Core 64 Bit 1,4 GHz
Working memory	1 GByte RAM
Mass storage	4 GByte Flash
Non-volatile memory	8 kByte

Data memory

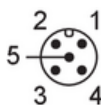
Real-time clock	yes; UTC, battery buffered
-----------------	----------------------------

Remarks

Pack quantity	1 pcs.
---------------	--------

Electrical connection - CAN

Connector: 1 x M12; coding: A



1:	Service
2:	VBB30
3:	GND
4:	CAN_H
5:	CAN_L

CR1142



Programmable Human Machine Interface

ecomatDisplay/4.3"/TOUCH/E

Electrical connection - ETH

Connector: 1 x M12; coding: D



1:	TxD+
2:	RxD+
3:	TxD-
4:	RxD-
SCREEN:	FE screen connected to plug