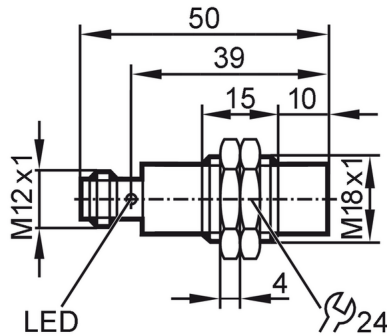


# ANT421



## RFID read/write head HF

DTRHF GNRWIDUS03



Application	
Application	Detection of objects on transport equipment
Radio approval for	USA; Canada; EU/RED; Australia; Japan; China; Taiwan; India; South Korea; Singapore; Ukraine
Note on radio approval	The list of countries applying the European Radio Equipment Directive 2014/53/EU (RED) can be found under "Downloads".
Electrical data	
Operating voltage [V]	19.2...28.8 DC; (Supply only via the DTE10x evaluation unit (to EN 60950-1))
Current consumption [mA]	< 50
Protection class	III
Operating frequency [MHz]	13,56
RFID standard	ISO 15693
Monitoring range	
Distance write/read head front [mm]	180
Distance write/read head side [mm]	90
Distance to the ID tag [mm]	referred to 30 mm coin tag; I-CODE SLI : ≤ 40
Interfaces	
Communication interface	DATA / DTE10x
Operating conditions	
Ambient temperature [°C]	-20...60
Storage temperature [°C]	-25...80
Protection	IP 67; IP 69K
Tests / approvals	
Shock resistance	EN 60068-2-27 50 g 11 ms / 40 g (6 ms, continuous)
Vibration resistance	EN 60068-2-6 20 g 10...2000 Hz
MTTF [years]	509.62
Mechanical data	
Weight [g]	94
Housing	Threaded type
Mounting	non-flush mountable
Dimensions [mm]	M18 x 1 / L = 50

# ANT421



## RFID read/write head HF

DTRHF GNRWIDUS03

Thread designation	M18 x 1
Material	housing: stainless steel; Protective cover: PPS; LED window: PEI

### Displays / operating elements

Display	Power	1 x LED, green
	tag communication	1 x LED, yellow

### Accessories

Items supplied	lock nuts: 2 x M18
----------------	--------------------

### Remarks

Pack quantity	1 pcs.
---------------	--------

### Electrical connection

Connector: 1 x M12; coding: A



### Connection

