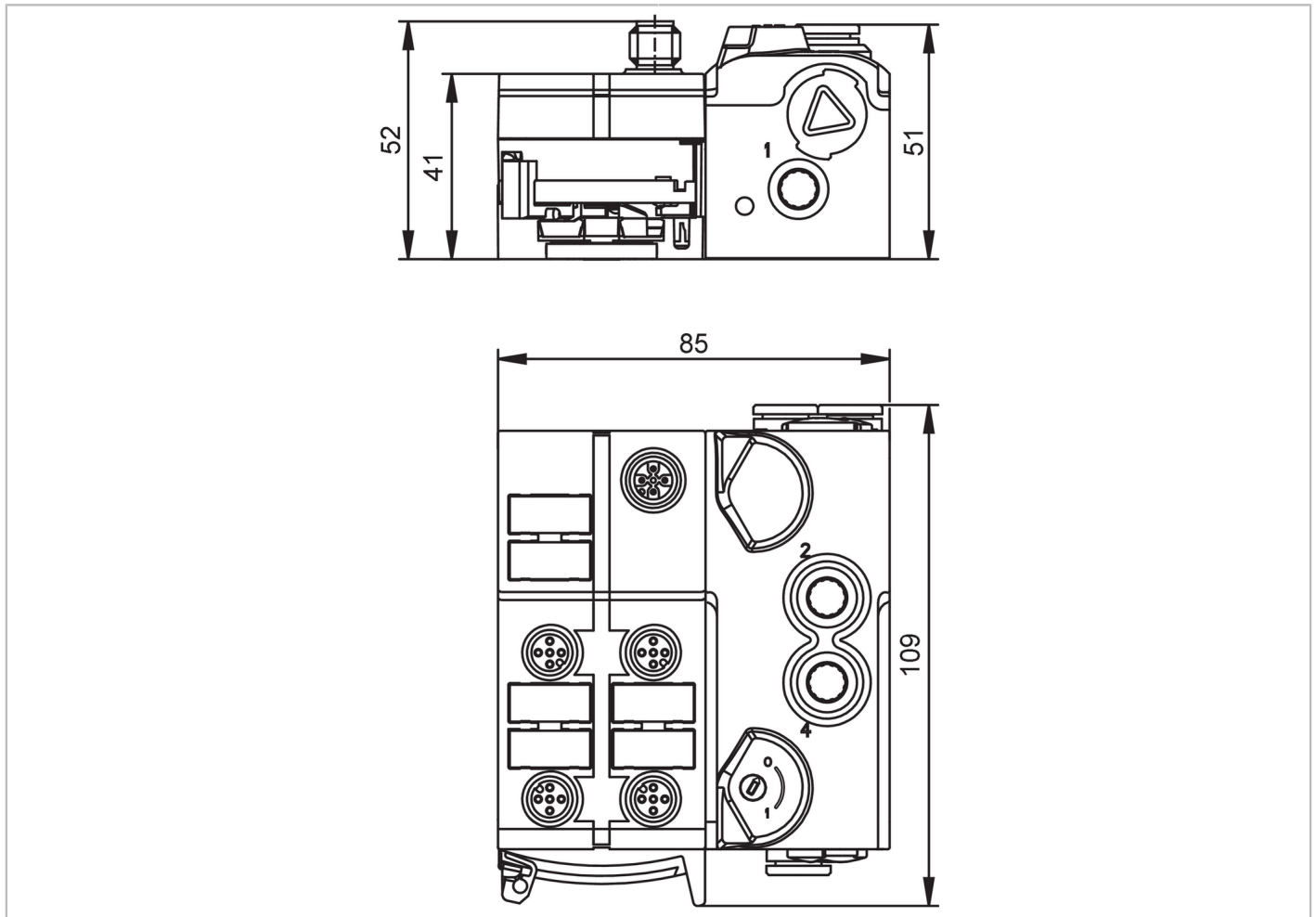


AL5246



IO-Link AirBox with quick mounting technology

IOL AirBox 1x5/2 mono. 4x2DI



| Product characteristics | |
|---------------------------------|---|
| Number of inputs and outputs | Number of digital inputs: 8; Number of pneumatic outputs: 1 |
| Application | |
| Design | housing for DIN rail mounting |
| Application | field installation; for use in wet environments |
| Media | compressed air |
| Medium temperature [°C] | -10...50 |
| Electrical data | |
| Operating voltage [V] | 18...30 DC; (to SELV/PELV) |
| Nominal voltage DC [V] | 24 |
| Current consumption [mA] | 80...680; (24 V DC, full load) |
| Overvoltage category | II |
| Inputs / outputs | |
| Number of inputs and outputs | Number of digital inputs: 8; Number of pneumatic outputs: 1 |
| Inputs | |
| Number of digital inputs | 8; (4 x 2) |
| Input circuit of digital inputs | PNP |

AL5246



IO-Link AirBox with quick mounting technology

IOL AirBox 1x5/2 mono. 4x2DI

| | | |
|---|------|---------------------------------------|
| Sensor supply of the inputs | | US |
| Voltage supply | [V] | 18...30; (from the operating voltage) |
| Max. total current rating of inputs | [mA] | 400 |
| Input current High | [mA] | 2...3.5 |
| Input current low | [mA] | 0...1.5 |
| Switching level high | [V] | > 11 |
| Digital inputs protected against short circuits | | yes |

Outputs

| | | |
|-----------------------------|--|----|
| Number of pneumatic outputs | | 1 |
| Actuator supply outputs | | US |

Interfaces

| | | |
|----------------------------|--------------------------|------------------------------|
| Communication interface | | IO-Link |
| Transmission type | | COM2 (38,4 kBaud) |
| IO-Link revision | | 1.1 |
| SDCI standard | | IEC 61131-9 |
| Profiles | Common - I&D | Identification and Diagnosis |
| | Function | Locator |
| | Function | ProductURI |
| SIO mode | | no |
| Required master port class | | A |
| Min. process cycle time | [ms] | 2.7 |
| Supported DeviceIDs | Type of operation | DeviceID |
| | default | 1504 |

Operating conditions

| | | |
|-----------------------------|------|--|
| Ambient temperature | [°C] | -10...55 |
| Note on ambient temperature | | Switching frequency < 1,66 Hz: -10...50 °C Switching frequency > 1,66 Hz: -10...55 °C |
| Max. relative air humidity | [%] | 90; (non condensing) |
| Max. height above sea level | [m] | 4000 |
| Protection | | IP 65; IP 67 |
| Degree of soiling | | 2 |

Mechanical data

| | | |
|----------------------------|---------|---|
| Weight | [g] | 302 |
| Housing | | rectangular |
| Type of mounting | | Mounting on DIN rail; quick mounting; AS-i flat cable connection; (TH35 (EN 60715)) |
| Dimensions | [mm] | 109 x 85 x 52 |
| Material | | housing: PA 6.6; AirBox housing: PA 6; sealing: TPE; sealing rings: NBR |
| Pneumatic system | | 1 x 5/2-way slide valve (free from overlapping) |
| Operating pressure range | | 3...8 bar 43.5...116 psi |
| Air flow at 6/5 bar | [l/min] | 500 |
| Permissible compressed air | | non-lubricated compressed air class 6-3-1; lubricated compressed air class 6-3-4 |
| Manual override | | pressing/releasing or pressing/turning/locking |
| Tube fittings | | 8 mm |

AL5246



IO-Link AirBox with quick mounting technology

IOL AirBox 1x5/2 mono. 4x2DI

Exhaust exhaust can be discharged through tube connection

Displays / operating elements

| | | |
|---------|----------|-------------|
| Display | Power | LED, green |
| | errors | LED, red |
| | Function | LED, yellow |

Accessories

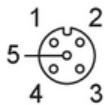
| | |
|------------------------|-----------------------------|
| Items supplied | lower part |
| Accessories (optional) | Mounting plate:, E74999 |
| | Module lower part:, E75000 |
| | Protective cap: M12, E73004 |
| | sealing plug:, E75231 |
| | Silencer:, E75232 |
| | Push-in L-fitting:, E75228 |
| | Push-in T-fitting:, E75227 |

Remarks

| | |
|---------------|--|
| Remarks | If not pneumatically operated, E75231 sealing plug must be inserted. |
| | Avoid ingress of dirt and dust. |
| | Do not connect any of the following points to an external potential: L-, L+, I-1, I-2, I-3, I-4 |
| | Please see the notes on compressed air and EMC/ESD under "Downloads" |
| Pack quantity | 1 pcs. |

Electrical connection - Socket

Connector: 4 x M12; coding: A; Contacts: 5



Digital input X1.0...X1.3

| | |
|---|---------|
| 1 | L+ |
| 2 | IN2 DI2 |
| 3 | L- |
| 4 | IN1 DI1 |
| 5 | n.c. |

Electrical connection - plug

Connector: 1 x M12; coding: A; Contacts: 4



voltage supply X1

| | |
|---|---------|
| 1 | L+ |
| 2 | n.c. |
| 3 | L- |
| 4 | IO-Link |

AL5246

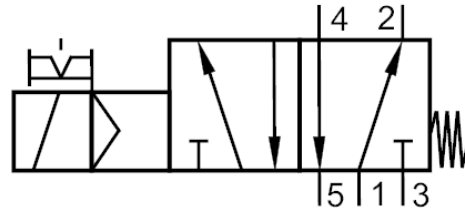


IO-Link AirBox with quick mounting technology

IOL AirBox 1x5/2 mono. 4x2DI

Diagrams and graphs

Pneumatic symbol



1 x 5/2-way slide valve (free from overlapping) monostable