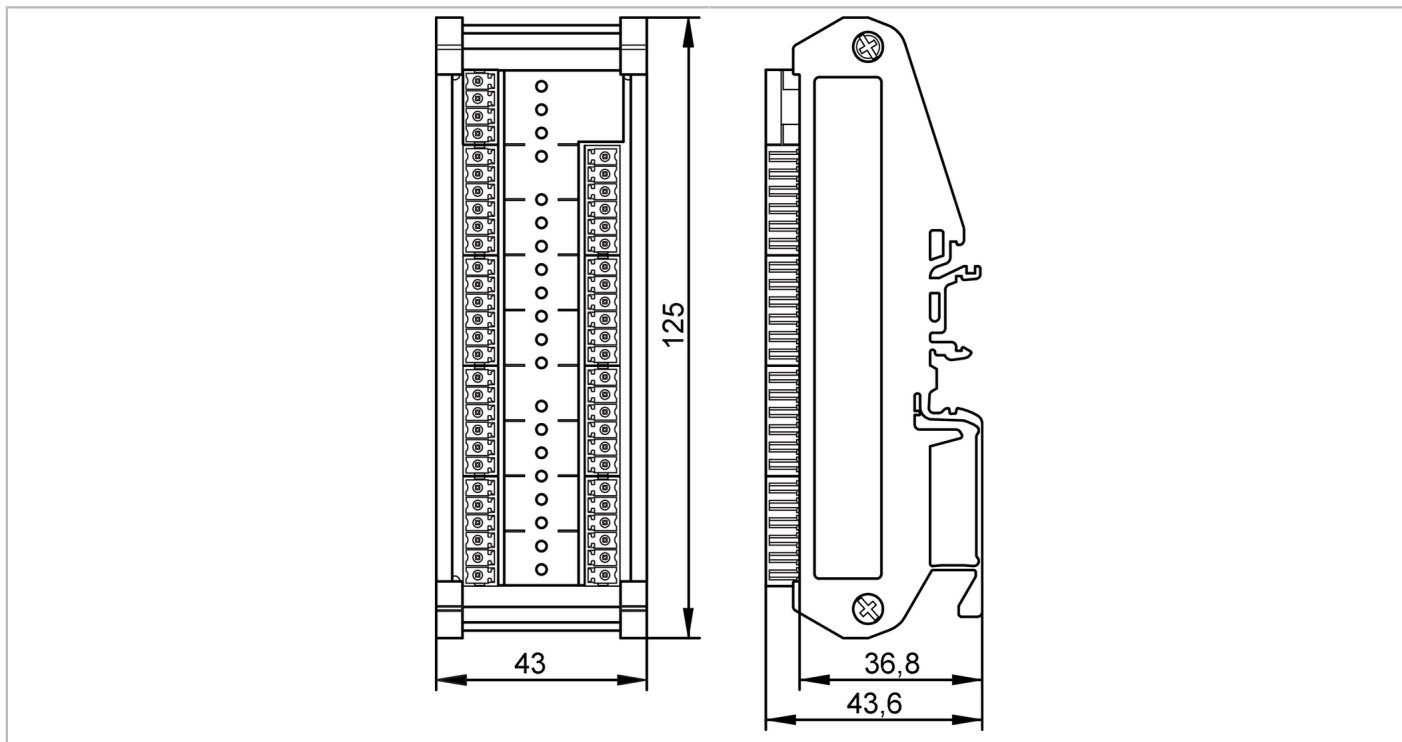


# AL5121



## IO-Link input/output module

IOL MOD BL 16XDX A 001 000 IP20



Application	
Application	I/O modules for use in the control cabinet or in a dust-free environment
Electrical data	
Operating voltage [V]	18...30 DC
Current consumption [mA]	50...1050; (US)
Protection class	III
Inputs / outputs	
Total number of inputs and outputs	16
Number of inputs and outputs	Number of digital inputs: 16; Number of digital outputs: 16
Inputs	
Number of digital inputs	16; (configurable)
Input circuit of digital inputs	PNP
Sensor supply of the inputs	US
Voltage supply [V]	18...30
Outputs	
Number of digital outputs	16; (configurable)
Max. current load outputs total [A]	1
Short-circuit protection	yes
Actuator supply outputs	US
Interfaces	
Communication interface	IO-Link
SDCI standard	IEC 61131-9

# AL5121



## IO-Link input/output module

IOL MOD BL 16XDX A 001 000 IP20

Transmission type	COM3 (230,4 kBaud)	
IO-Link revision	1.1	
Profiles	Common - I&D	Identification and Diagnosis
	Function	Locator
	Function	ProductURI
SIO mode	no	
Required master port class	A	
Min. process cycle time [ms]	1	
Supported DeviceIDs	<b>Type of operation</b>	<b>DeviceID</b>
Note	default	1832
For further information please see the IODD PDF file at "Downloads"		

### Operating conditions

Ambient temperature [°C]	-25...60
Storage temperature [°C]	-25...70
Max. relative air humidity [%]	80; (40 °C; 50 % non condensing)
Max. height above sea level [m]	2000
Protection	IP 20

### Tests / approvals

EMC	EN 61000-6-2	
	EN 61000-6-3	
	IEC 61131-9	
	IEC 61131-2 Type 3	
Shock resistance	DIN EN 60068-2-27	
	ISO 16750-3	
Vibration resistance	DIN EN 60068-2-64	
	DIN EN 60068-2-6	

### Mechanical data

Weight [g]	109.05
Housing	rectangular
Type of mounting	Mounting on DIN rail; (G32, TH15-5,5, TH35-7,5 (EN 60715))
Dimensions [mm]	125 x 43 x 43.6
Material	housing: PA black

### Displays / operating elements

Display	Power	2 x LED, green
	fault	1 x LED, red
	Function	16 x LED, yellow

### Remarks

Pack quantity	1 pcs.
---------------	--------

### Electrical connection

Connector: terminals

### Electrical connection - IO-Link

#### XC1

1	L+	(US)
2	n.c.	
3	L-	(US)
4	DATA	IO-Link

# AL5121



## IO-Link input/output module

IOL MOD BL 16XDX A 001 000 IP20

### Electrical connection - inputs / outputs

X1...X8

1	L+	(US)
2	MP1	DI1, DO1
3	L-	(US)
4	L+	(US)
5	MP2	DI2, DO2
6	L-	(US)

DATA: Communication interface; DI: digital input; DO: digital output; n.c.: not used; MP: multi-function connection