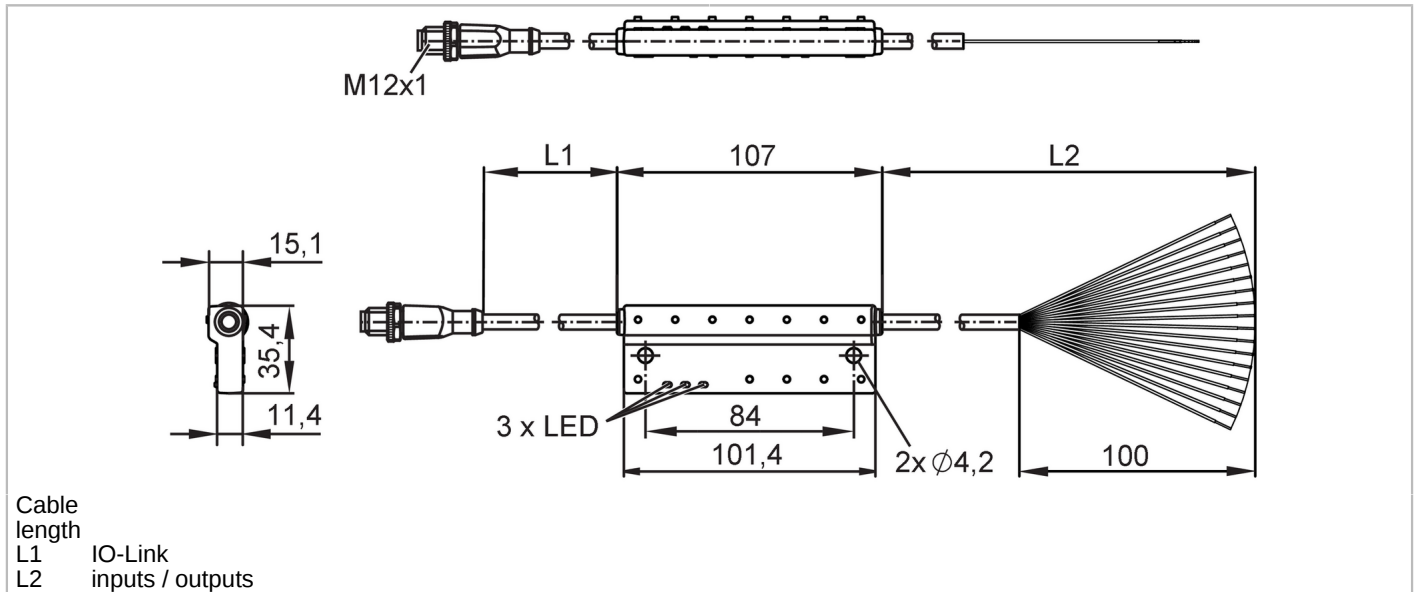


AL5021



IO-Link input/output module

IOL MOD 16xDX A 001 000 IP67



Application	
Special feature	Halogen-free; gold-plated contacts
Electrical data	
Operating voltage [V]	18...30 DC
Current consumption [mA]	50...1050; (US)
Protection class	III
Inputs / outputs	
Total number of inputs and outputs	16
Number of inputs and outputs	Number of digital inputs: 16; Number of digital outputs: 16
Inputs	
Number of digital inputs	16; (configurable)
Input circuit of digital inputs	PNP
Sensor supply of the inputs	US
Voltage supply [V]	18...30
Outputs	
Number of digital outputs	16; (configurable)
Max. current load outputs total [A]	1
Short-circuit protection	yes
Actuator supply outputs	US
Interfaces	
Communication interface	IO-Link
SDCI standard	IEC 61131-9
Transmission type	COM3 (230,4 kBaud)
IO-Link revision	1.1
Profiles	Common - I&D Identification and Diagnosis

AL5021



IO-Link input/output module

IOL MOD 16xDX A 001 000 IP67

SIO mode	no	
Required master port class	A	
Min. process cycle time [ms]	1	
Supported DeviceIDs	Type of operation default	DeviceID 1452
Note	For further information please see the IODD PDF file at "Downloads"	

Operating conditions		
Ambient temperature [°C]		-25...60
Storage temperature [°C]		-25...70
Max. relative air humidity [%]		90
Max. height above sea level [m]		2000
Protection		IP 67

Tests / approvals		
EMC	EN 61000-6-2	
	EN 61000-6-3	
	IEC 61131-9	
	IEC 61131-2 Type 3	
Shock resistance	DIN EN 60068-2-27	
Vibration resistance	DIN EN 60068-2-64	
	DIN EN 60068-2-6	
MTTF [years]		127

Mechanical data		
Weight [g]		233
Dimensions [mm]		107 x 35.4 x 15.1
Material		housing: PA orange

Displays / operating elements		
Display	Power	2 x LED, green
	fault	1 x LED, red

Remarks		
Pack quantity		1 pcs.

Electrical connection - IO-Link

Cable: 2 m, PUR, Halogen-free, black, Ø 4.3 mm; 3 x 0.34 mm² (42 x Ø 0.1 mm)

Connector: 1 x M12, straight; coding: A; Contacts: 3, gold-plated; Locking: brass, nickel-plated; Tightening torque: 0.6...1.5 Nm



X1		
1	L+ (US)	
3	L- (US)	
4	IO-Link	

AL5021



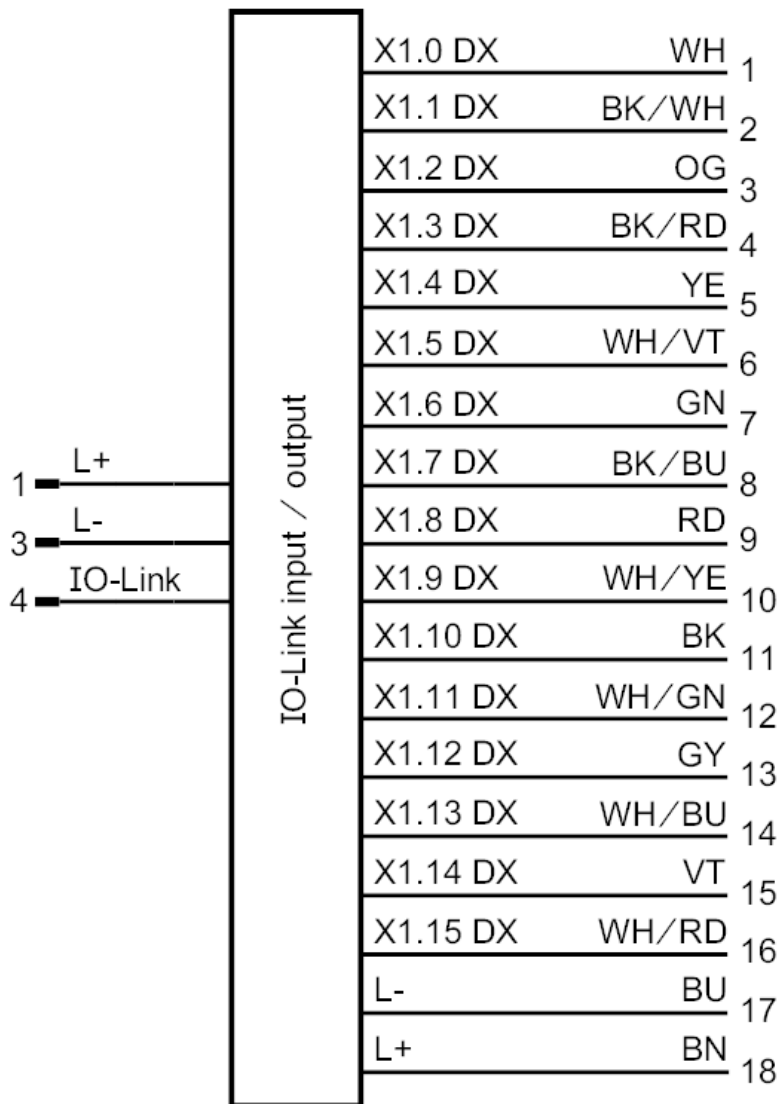
IO-Link input/output module

IOL MOD 16xDX A 001 000 IP67

Electrical connection - inputs / outputs

Cable: 1.5 m, PUR, Halogen-free, black, Ø 6.0 mm; 18 x 0.25 mm² (32 x Ø 0.1 mm)

Connection



Core colors :

RD = red
 BU = blue
 WH = white
 GY = grey
 BN = brown
 GN = green
 YE = yellow
 BK= black
 OG= orange
 VT= lilac

X1.0...X1.17

1-16	I/O
17	L- (US)
18	L+ (US)