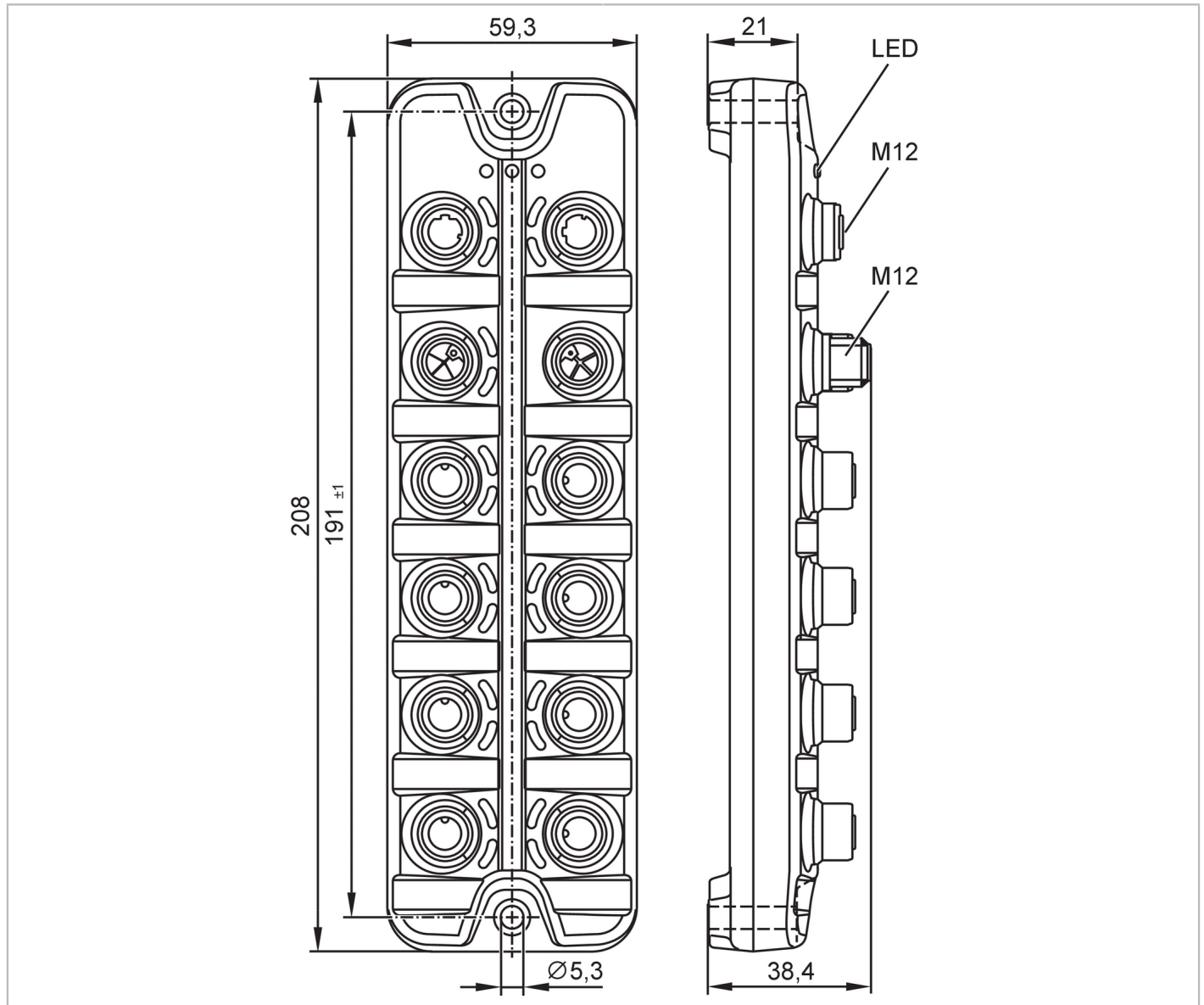


AL4342



Ethernet module with Modbus TCP interface

ETH Module PFL MB 8DO 8DI IP67



Application	
Application	I/O modules for field applications
Daisy-chain function	voltage supply; fieldbus interface
Electrical data	
Operating voltage [V]	20...30 DC; (US ; to PELV)
Current consumption [mA]	300...3900
Protection class	III
Additional voltage supply [V]	20...30 DC; (UA)
Actuator supply UA	
Max. current load total [A]	8
Current rating per port [A]	3.6

AL4342



Ethernet module with Modbus TCP interface

ETH Module PFL MB 8DO 8DI IP67

Sensor supply US		
Max. current load total	[A]	3.6
Current rating per port	[A]	3.6
Inputs / outputs		
Number of inputs and outputs	Number of digital inputs: 8; Number of digital outputs: 8	
Inputs		
Number of digital inputs	8; (type 2 according to IEC 61131-2)	
Switching level high	[V]	11...30
Switching level low	[V]	0...5
Digital inputs protected against short circuits	yes	
Outputs		
Number of digital outputs	8	
Short-circuit proof	yes	
Actuator supply UA		
Max. current load per output	[mA]	3600
Software / programming		
Parameter setting options	Counter function	
Functions and parameters	Function	CTU (Up Counter), CTD (Down Counter), CTUD (Up-Down Counter), CTDIR (Direction Counter)
	switching function (SSC)	single point, two point, window, latch
	number	4 (1 counter for each input port)
	count frequency	4500 Hz
	main counter	32 Bit (0...4.294.967.295)
	batch counter	16 Bit (0...65.535)
Interfaces		
Communication interface	Ethernet	
Ethernet - Modbus TCP		
Protocol	Modbus TCP	
Ethernet – Modbus TCP		
Transmission standard	10Base-T; 100Base-TX	
Transmission rate	10 MBit/s; 100 MBit/s	
Factory settings	IP address: 192.168.1.250	
	subnet mask: 255.255.255.0	
	gateway IP address: 0.0.0.0	
	MAC address: see type label	
Operating conditions		
Ambient temperature	[°C]	-25...60
Storage temperature	[°C]	-25...85
Max. relative air humidity	[%]	90
Protection	IP 65; IP 66; IP 67	
Protection rating (NEMA 250)	6P	
Degree of soiling	2	

AL4342



Ethernet module with Modbus TCP interface

ETH Module PFL MB 8DO 8DI IP67

Chemical media	ISO 16750-5	AA, BA, BD, HLP, CC, DB, DC, DD, CA
	NEMA 250 5.13.1	AA

Tests / approvals

EMC	EN 61000-6-2	
	EN 61000-6-4	
Shock resistance	DIN EN 60068-2-27	
Vibration resistance	DIN EN 60068-2-64 2009-04	
	DIN EN 60068-2-6 2008-10	
MTTF [years]		64

Mechanical data

Weight [g]	423.3
Housing	rectangular
Type of mounting	Backplane mounting
Dimensions [mm]	208 x 59.3 x 38.4
Material	housing: PA orange; Socket: brass nickel-plated
Sealing material	FKM

Remarks

Remarks	Further information is available in the manual. Using the device within a system with requirements for functional safety is possible by deactivating the actuator voltage UA without interaction. For further information on functional safety, please refer to the operating instructions supplement under "Downloads".
Pack quantity	1 pcs.

Electrical connection - Ethernet

Connector: M12; coding: D; Contacts: 4; sealing: FKM

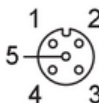


IN / OUT XF1, XF2

1:	TX +
2:	RX +
3:	TX -
4:	RX -
5:	n.c.

Electrical connection - IO-Link

Connector: M12; coding: A; Contacts: 5; sealing: FKM



Digital Output X1...X4

1:	n.c.
2:	OUT2 DO2 (UA)
3:	L - (UA)
4:	OUT1 DO1 (UA)
5:	FE

AL4342



Ethernet module with Modbus TCP interface

ETH Module PFL MB 8DO 8DI IP67

Digital Input X5...X8

1:	L + (US)
2:	IN2 DI2
3:	L - (US)
4:	IN1 DI1
5:	FE

Electrical connection - voltage supply IN

Connector: M12; coding: L; Contacts: 5



XD1

1:	L + (US)
2:	L - (UA)
3:	L - (US)
4:	L + (UA)
5:	FE

Electrical connection - voltage supply OUT

Connector: M12; coding: L; Contacts: 5; sealing: FKM



XD2

1:	L + (US)
2:	L - (UA)
3:	L - (US)
4:	L + (UA)
5:	FE