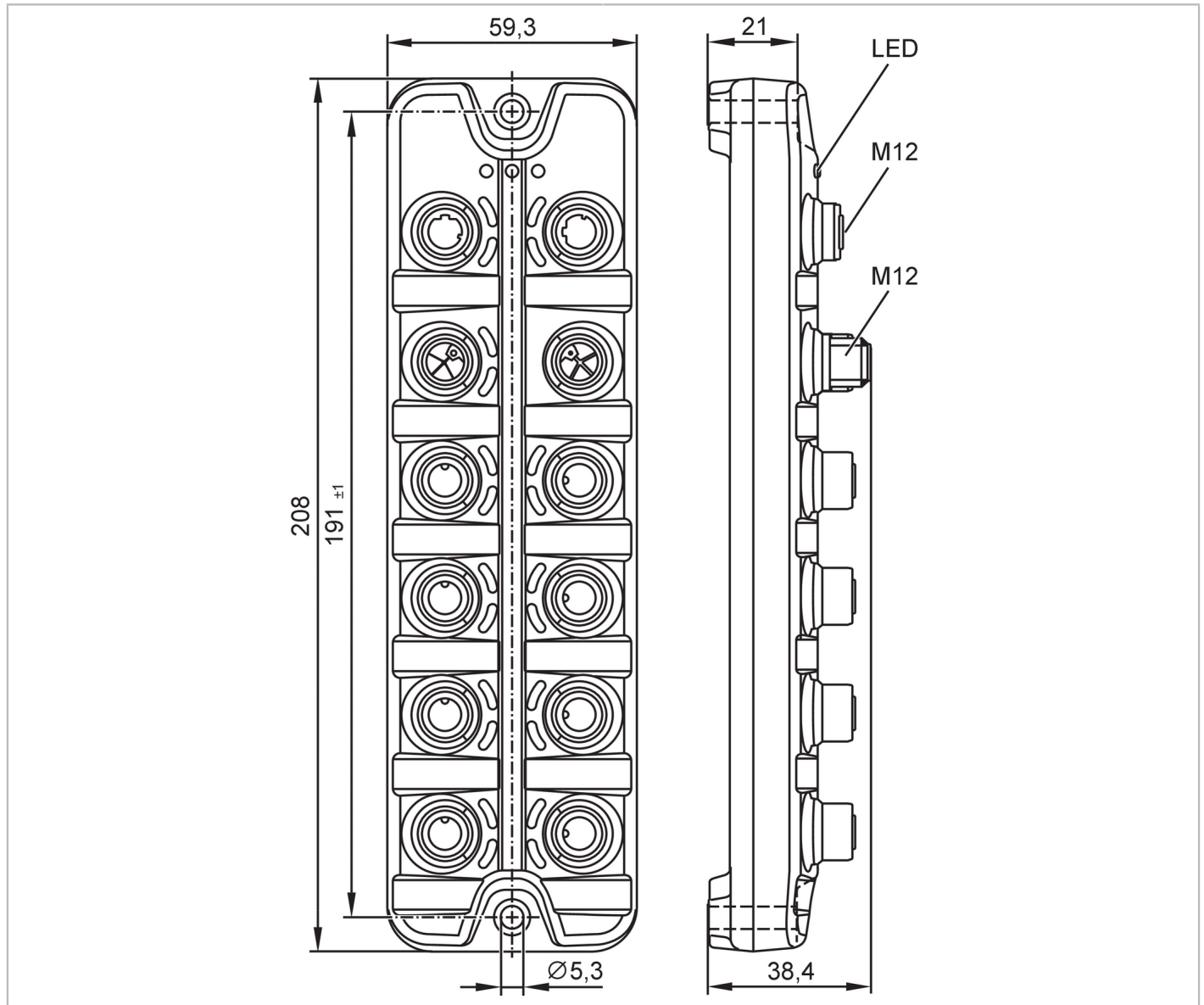


AL4302



Ethernet module with PROFINET interface

ETH Module PFL PN 8DO 8DI IP67



Application	
Application	I/O modules for field applications
Daisy-chain function	voltage supply; fieldbus interface
Electrical data	
Operating voltage [V]	20...30 DC; (US ; to PELV)
Current consumption [mA]	300...3900
Protection class	III
Additional voltage supply [V]	20...30 DC; (UA)
Actuator supply UA	
Max. current load total [A]	8
Current rating per port [A]	3.6

AL4302



Ethernet module with PROFINET interface

ETH Module PFL PN 8DO 8DI IP67

Sensor supply US		
Max. current load total	[A]	3.6
Current rating per port	[A]	3.6
Inputs / outputs		
Number of inputs and outputs	Number of digital inputs: 8; Number of digital outputs: 8	
Inputs		
Number of digital inputs	8; (type 2 according to IEC 61131-2)	
Switching level high	[V]	11...30
Switching level low	[V]	0...5
Digital inputs protected against short circuits	yes	
Outputs		
Number of digital outputs	8	
Short-circuit proof	yes	
Actuator supply UA		
Max. current load per output	[mA]	3600
Software / programming		
Parameter setting options	Counter function	
Functions and parameters	Function	CTU (Up Counter), CTD (Down Counter), CTUD (Up-Down Counter), CTDIR (Direction Counter)
	switching function (SSC)	single point, two point, window, latch
	number	4 (1 counter for each input port)
	count frequency	4500 Hz
	main counter	32 Bit (0...4.294.967.295)
	batch counter	16 Bit (0...65.535)
Interfaces		
Communication interface	Ethernet	
Ethernet - PROFINET		
Transmission standard	100Base-TX	
Transmission rate	100 MBit/s	
Protocol	PROFINET	
Factory settings	IP address: 0.0.0.0	
	subnet mask: 0.0.0.0	
	gateway IP address: 0.0.0.0	
	MAC address: see type label	
Note on interfaces	CC-C (Conformance Class C) (IRT-Switch)	
	S2 redundancy	
	Netload Class III	
	CiR (Configuration in Run)	
	SNMP (Simple Network Management Protocol)	
	MRP (Media Redundancy Protocol)	
	Supported network topologies: line	
	ring	
Operating conditions		
Ambient temperature	[°C]	-25...60

AL4302



Ethernet module with PROFINET interface

ETH Module PFL PN 8DO 8DI IP67

Storage temperature	[°C]	-25...85
Max. relative air humidity	[%]	90
Protection		IP 65; IP 66; IP 67
Protection rating (NEMA 250)		6P
Degree of soiling		2
Chemical media	ISO 16750-5	AA, BA, BD, HLP, CC, DB, DC, DD, CA
	NEMA 250 5.13.1	AA

Tests / approvals

EMC	EN 61000-6-2	
	EN 61000-6-4	
Shock resistance	DIN EN 60068-2-27	
Vibration resistance	DIN EN 60068-2-64 2009-04	
	DIN EN 60068-2-6 2008-10	
MTTF	[years]	64

Mechanical data

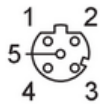
Weight	[g]	421
Housing		rectangular
Type of mounting		Backplane mounting
Dimensions	[mm]	208 x 59.3 x 38.4
Material		housing: PA orange; Socket: brass nickel-plated
Sealing material		FKM

Remarks

Remarks	Further information is available in the manual. Using the device within a system with requirements for functional safety is possible by deactivating the actuator voltage UA without interaction. For further information on functional safety, please refer to the operating instructions supplement under "Downloads".
Pack quantity	1 pcs.

Electrical connection - Ethernet

Connector: M12; coding: D; Contacts: 4; sealing: FKM

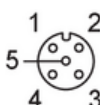


IN / OUT XF1, XF2

1	TX +
2	RX +
3	TX -
4	RX -
5	not used

Electrical connection - inputs / outputs

Connector: M12; coding: A; Contacts: 5; sealing: FKM





Ethernet module with PROFINET interface

ETH Module PFL PN 8DO 8DI IP67

Digital Output X1...X4

1	not used
2	Digital output 2 (UA) L+
3	GND (UA)
4	Digital output 1 (UA) L+
5	functional earth

Digital Input X5...X8

1	Sensor supply (US) L+
2	Digital input 2
3	Sensor supply (US) L-
4	Digital input 1
5	functional earth

Electrical connection - voltage supply IN

Connector: M12; coding: L; Contacts: 5



XD1

1	+ 24 V DC (US) brown
2	GND (UA) white
3	GND (US) blue
4	+ 24 V DC (UA) black
5	FE grey

Electrical connection - voltage supply OUT

Connector: M12; coding: L; Contacts: 5; sealing: FKM



XD2

1	+ 24 V DC (US) brown
2	GND (UA) white
3	GND (US) blue
4	+ 24 V DC (UA) black
5	FE grey