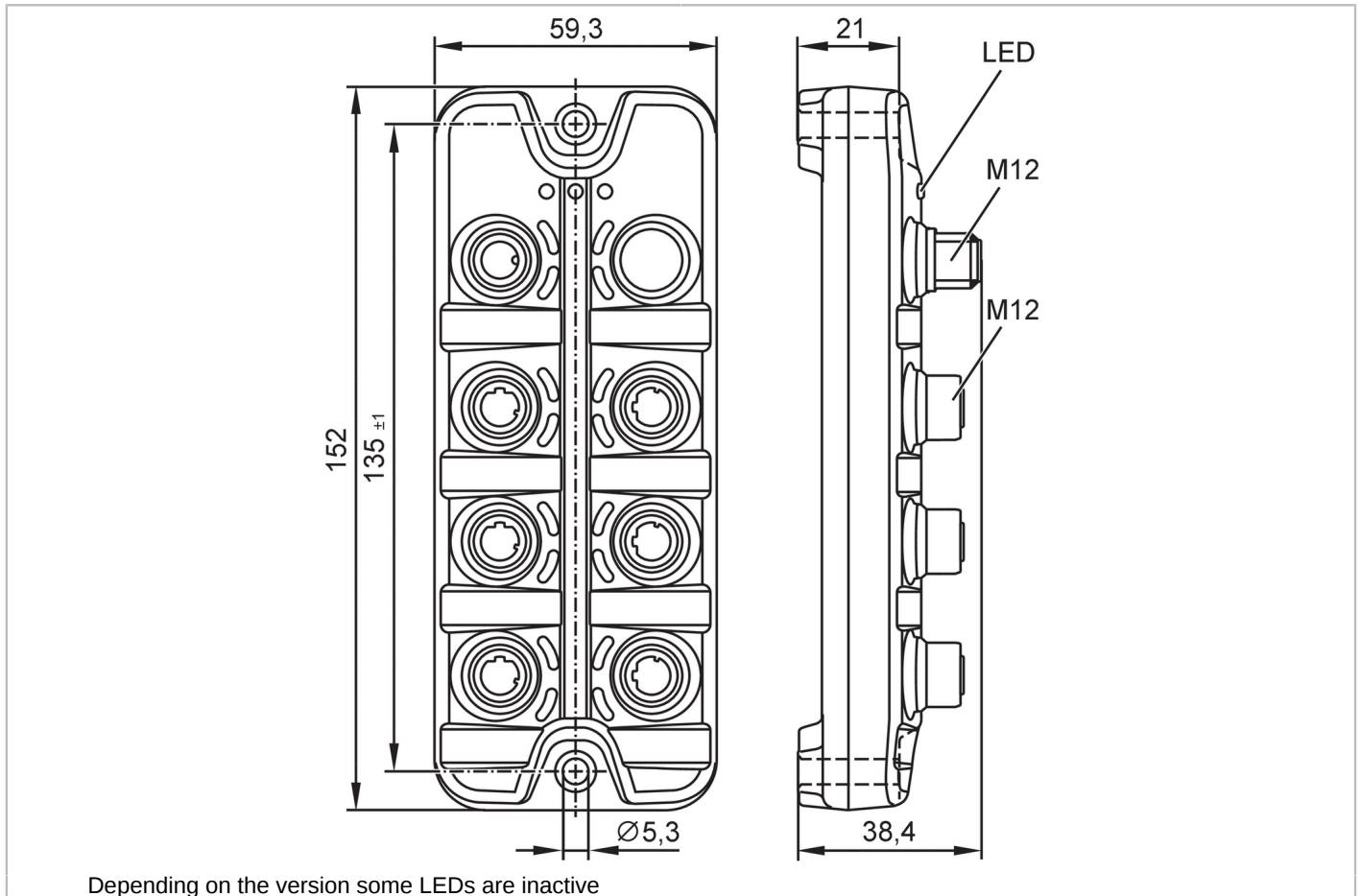


AL3050



Ethernet switch

ETH Switch SL IoT 6P IP67



Application	
Design	unmanaged switch for field applications
Application	for TCP/IP networks; for EtherNet/IP networks; for Modbus TCP networks
Electrical data	
Operating voltage [V]	8...32 DC; ((US ; to SELV/PELV))
Nominal voltage DC [V]	12 / 24
Current consumption [mA]	100; (US; 24 V: 50 mA)
Protection class	III
Reverse polarity protection	yes
Interfaces	
Communication interface	Ethernet
Number of Ethernet interfaces	6
Transmission standard	10Base-T; 100Base-TX
Transmission rate	10 MBit/s; 100 MBit/s

AL3050



Ethernet switch

ETH Switch SL IoT 6P IP67

Note on interfaces	processing type: Store and Forward
	auto polarity
	auto negotiation
	auto MDI-X
	QoS (Quality of Service): IEEE 802.1p, IEEE 802.1Q
	priority queues: 4
	MAC table size: 2000 addresses
	transmission: LLDP, PTCP 01:80:C2:00:00:0E

Operating conditions		
Ambient temperature	[°C]	-25...70
Storage temperature	[°C]	-25...85
Max. relative air humidity	[%]	90
Max. height above sea level	[m]	4000
Protection		IP 65; IP 66; IP 67
Protection rating (NEMA 250)		6P
Degree of soiling		2
Chemical media	ISO 16750-5	AA, BA, BD, HLP, CC, DB, DC, DD, CA
	NEMA 250 5.13.1	AA

Tests / approvals		
EMC	UN/ECE-R10 Noise emission and noise interference:	100 V/m
	DIN EN 61000-6-2 ESD	
	DIN EN 61000-6-4 Burst	
	ISO 7637-2 pulse 1	severity level 4 / function state C (12 V)
	ISO 7637-2 pulse 2a	severity level 4 / function state A (12 V)
	ISO 7637-2 pulse 2b	severity level 4 / function state C (12 V)
	ISO 7637-2 pulse 3a	severity level 4 / function state A (12 V)
	ISO 7637-2 pulse 3b	severity level 4 / function state A (12 V)
	ISO 7637-2 pulse 4	severity level 4 / function state A (12 V)
	ISO 7637-2 pulse 5a	severity level 3 / function state A (12 V)
	ISO 7637-2 pulse 1	severity level 4 / function state C (24 V)
	ISO 7637-2 pulse 2a	severity level 4 / function state A (24 V)
	ISO 7637-2 pulse 2b	severity level 4 / function state C (24 V)
	ISO 7637-2 pulse 3a	severity level 4 / function state A (24 V)
	ISO 7637-2 pulse 3b	severity level 4 / function state A (24 V)
	ISO 7637-2 pulse 4	severity level 4 / function state A (24 V)
	Shock resistance	DIN EN 60068-2-27
Fast temperature changes	EN 60068-2-30	
	EN 60068-2-78	
	EN 60068-2-52	
Vibration resistance	DIN EN 60068-2-64	
	DIN EN 60068-2-6	
	EN 60068-2-27	
MTTF	[years]	232

Mechanical data		
Weight	[g]	301.15
Housing		rectangular
Type of mounting		Backplane mounting

AL3050



Ethernet switch

ETH Switch SL IoT 6P IP67

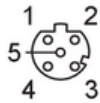
Dimensions	[mm]	152 x 59.3 x 38.4
Material		housing: PA orange; Socket: brass nickel-plated
Sealing material		FKM

Remarks

Remarks	Further information is available in the manual.
Pack quantity	1 pcs.

Electrical connection - Ethernet

Connector: 6 x M12; coding: D; sealing: FKM



X01...X06

1	TX +
2	RX +
3	TX -
4	RX -
5	not used

Electrical connection - voltage supply

Connector: 1 x M12; coding: A



X31

1	+ 24 V DC (US)
2	not used
3	GND (US)
4	not used