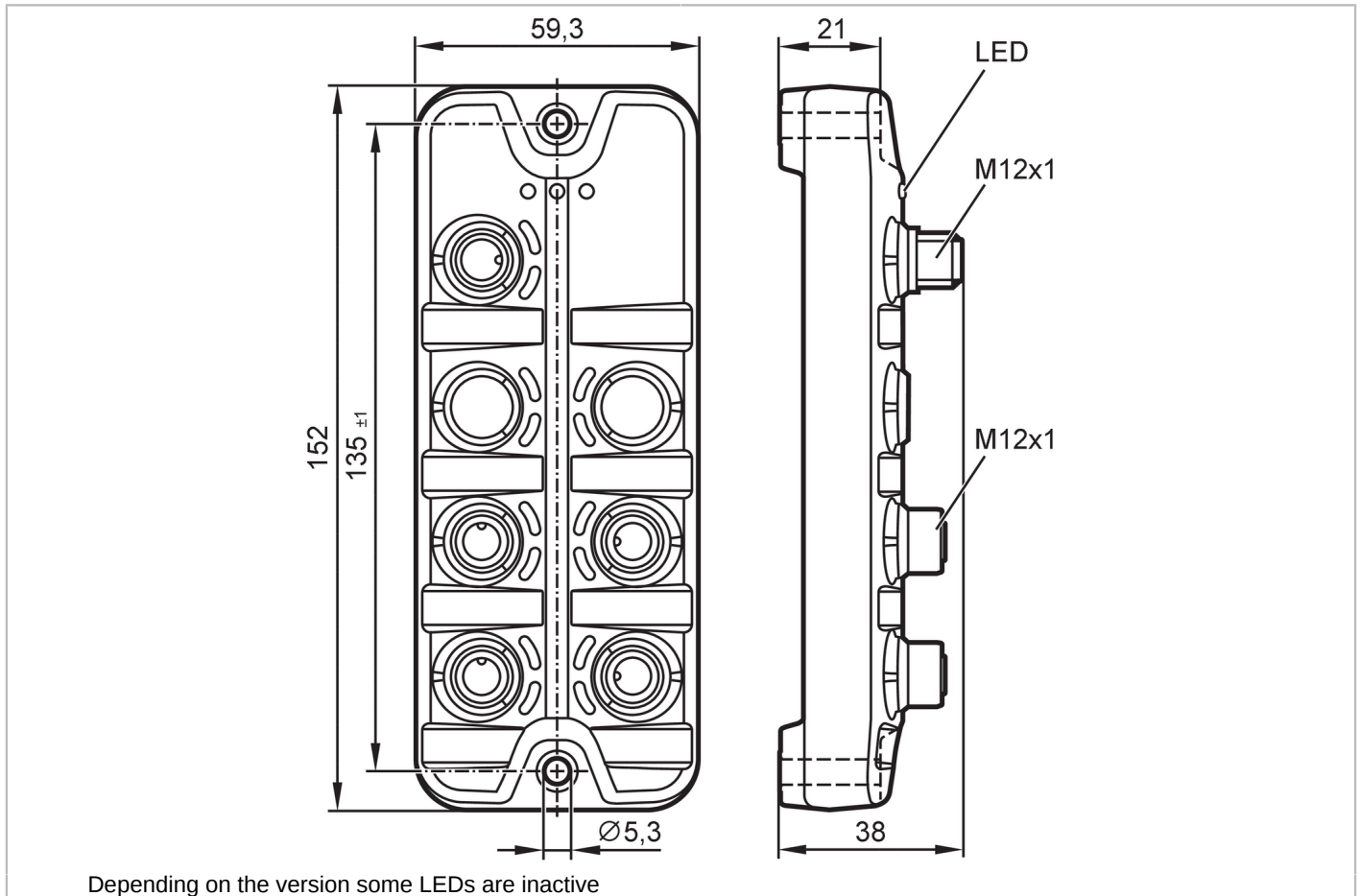


AL2284



IO-Link temperature module

IOL MOD 4xTEMP IP69K



Depending on the version some LEDs are inactive



Electrical data		
Operating voltage [V]	18...30 DC	
Current consumption [mA]	< 50; (US)	
Protection class	III	
Inputs / outputs		
Number of inputs and outputs	Number of analog inputs: 4	
Inputs		
Number of analog inputs	4; (PT100: connection of 2-wire, 3-wire and 4-wire sensors; PT1000: connection of 2-wire, 3-wire and 4-wire sensors, TCK, TJK)	
Precision analog input [%]	± 0,3	
Measuring range		
Analog input	function type	PT100 2/3/4
	Measuring range [°C]	-195...510
Analog input	function type	PT1000 2/3/4
	Measuring range [°C]	-195...310
Analog input	function type	Thermocouple (ungrounded)
	Measuring range [°C]	type J: -210...1200
	Measuring range [°C]	type K: -200...1370



IO-Link temperature module

IOL MOD 4xTEMP IP69K

Interfaces		
Communication interface	IO-Link	
Transmission type	COM3 (230,4 kBaud)	
IO-Link revision	1.1.3	
SDCI standard	IEC 61131-9	
Profiles	Smart Sensor - SSP 4.3.4	Measuring and Switching Sensor, floating point, 4 channel
	Common - I&D	Identification and Diagnosis
	Extension	Quantity detection, switches when value exceeds the setpoint
	Function	Locator
	Function	ProductURI
SIO mode	no	
Required master port class	A	
Min. process cycle time [ms]	4	
Supported DeviceIDs	Type of operation	DeviceID
	default	1450
Operating conditions		
Ambient temperature [°C]	-25...60	
Storage temperature [°C]	-25...70	
Max. relative air humidity [%]	90	
Max. height above sea level [m]	2000	
Protection	IP 65; IP 67; IP 69K; (operation with stainless steel protective caps: IP 69K)	
Protection rating (NEMA 250)	6P	
Degree of soiling	2	
Chemical media	ISO 16750-5	HLP, CC, DB, DC, DD, CA
	NEMA 250 5.13.1	AA
Tests / approvals		
EMC	EN 61000-6-2	
	EN 61000-6-3	
	IEC 61131-9	
Shock resistance	DIN EN 60068-2-27	
Vibration resistance	DIN EN 60068-2-64	
	DIN EN 60068-2-6	
Mechanical data		
Weight [g]	360.566	
Housing	rectangular	
Type of mounting	Backplane mounting	
Dimensions [mm]	152 x 59.3 x 38	
Material	housing: PA grey; Socket: stainless steel (1.4404 / 316L)	
Sealing material	EPDM	
Displays / operating elements		
Display	Power	2 x LED, green
	fault	3 x LED, red
	Function	8 x LED, yellow

AL2284



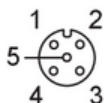
IO-Link temperature module

IOL MOD 4xTEMP IP69K

Accessories	
Accessories (optional)	protective cap for M12 sockets
Remarks	
Remarks	For information about installation and operation please see the operating instructions.
Pack quantity	1 pcs.

Electrical connection - IO-Link	
Connector: 1 x M12; coding: A; Contacts: 4	
	

X1	
1	L+ (US)
2	not used
3	L- (US)
4	IO-Link

Electrical connection - Inputs	
Connector: 4 x M12; coding: A; Contacts: 4; sealing: EPDM	
	

X1.0...X1.3	
1	R+: PT100 / PT1000
2	MP+: TCK / TCJ / PT100 / PT1000
3	R-: PT100 / PT1000
4	MP-: TCK / TCJ / PT100 / PT1000
5	FE