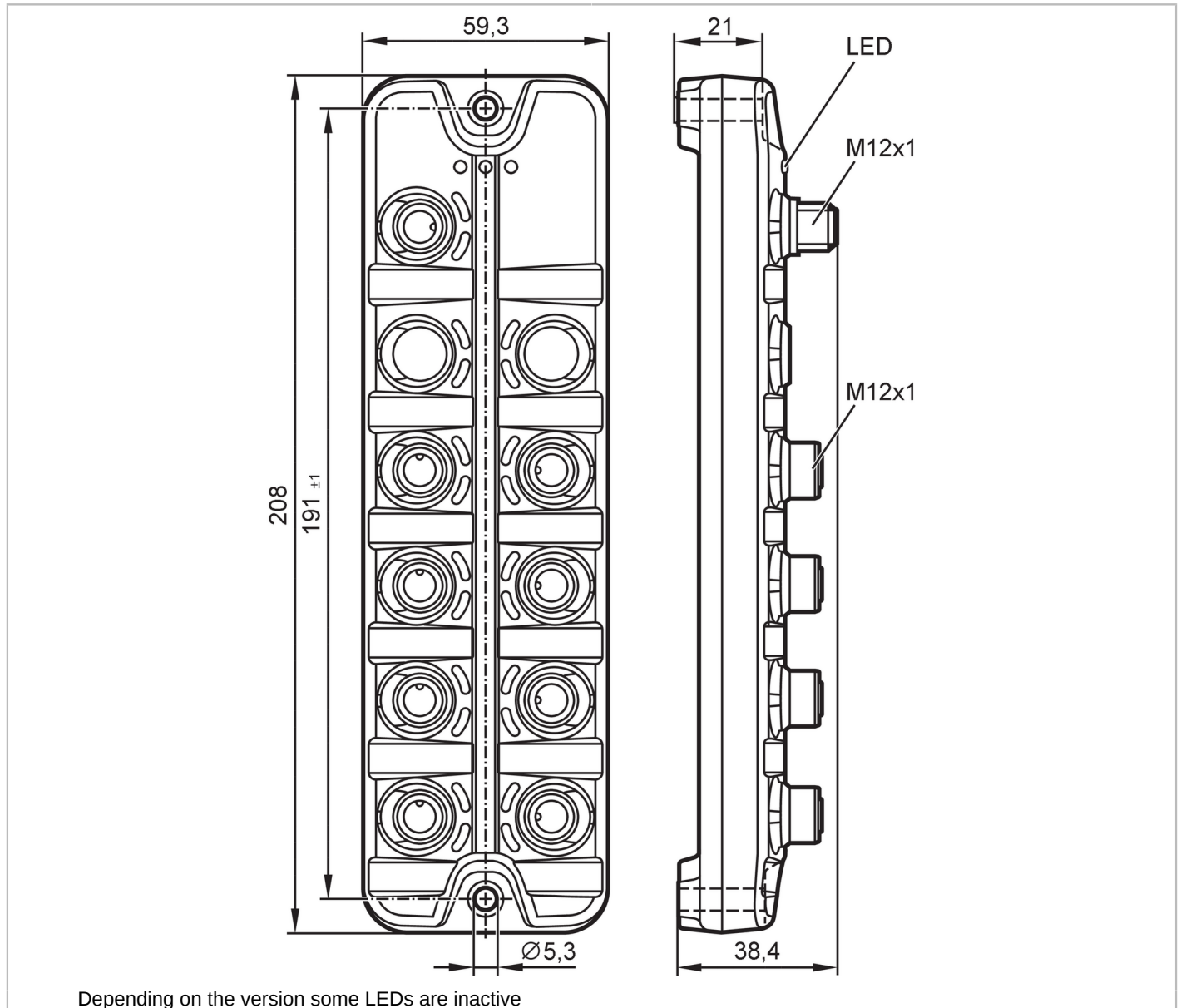


AL2201



IO-Link input/output module

IOL MOD SL 8XMP/DX A M12 IP69K



Depending on the version some LEDs are inactive



Electrical data		
Operating voltage	[V]	18...30 DC
Current consumption	[mA]	1100; (US)
Protection class		III
Inputs / outputs		
Total number of inputs and outputs		16; (configurable)
Number of inputs and outputs		Number of digital inputs: 16; Number of analog inputs: 8; Number of digital outputs: 16
Inputs		
Number of digital inputs		16; (configurable)
Input circuit of digital inputs		PNP; (type 3 (IEC 61131-2))
Sensor supply of the inputs		US

AL2201



IO-Link input/output module

IOL MOD SL 8XMP/DX A M12 IP69K

Voltage supply	[V]	18...30
Input current High	[mA]	2...15
Input current low	[mA]	0...1.5
Switching level high	[V]	11...28
Switching level low	[V]	0...5
Number of analog inputs		8; (configurable current/voltage input)
Analog input (current)	[mA]	4...20
Analog input (voltage)	[V]	0...10
Resolution of analog input		16 Bit

Outputs

Number of digital outputs		16; (configurable)
Max. current load per output	[mA]	1000
Max. current load outputs total	[A]	1
Short-circuit protection		yes
Actuator supply outputs		US

Interfaces

Communication interface		IO-Link
Transmission type		COM3 (230,4 kBaud)
IO-Link revision		1.1
SDCI standard		IEC 61131-9
Profiles	Common - I&D	Identification and Diagnosis
SIO mode		no
Required master port class		A
Min. process cycle time	[ms]	4
Supported DeviceIDs	Type of operation	DeviceID
	Acyclic parametrisation	1408
	Factory setting: parametrisation via Pdout	1407
Note	Parameterization can be changed from cyclical to acyclical. For further information please see the IODD PDF file at "Downloads"	

Operating conditions

Ambient temperature	[°C]	-25...60
Storage temperature	[°C]	-25...70
Max. relative air humidity	[%]	90
Max. height above sea level	[m]	2000
Protection		IP 65; IP 67; IP 69K; (operation with stainless steel protective caps: IP 69K)
Protection rating (NEMA 250)		6P
Degree of soiling		2
Chemical media	ISO 16750-5	HLP, CC, DB, DC, DD, CA
	NEMA 250 5.13.1	AA

Tests / approvals

EMC	EN 61000-6-2	
	EN 61000-6-3	
	IEC 61131-9	
Shock resistance	DIN EN 60068-2-27	

AL2201



IO-Link input/output module

IOL MOD SL 8XMP/DX A M12 IP69K

Vibration resistance	DIN EN 60068-2-64	
	DIN EN 60068-2-6	
MTTF [years]		44

Mechanical data		
Weight [g]		482.29
Housing		rectangular
Type of mounting		Backplane mounting
Dimensions [mm]		208 x 59.3 x 38.4
Material		housing: PA grey; Socket: stainless steel (1.4404 / 316L)
Sealing material		EPDM
Tightening torque [Nm]		< 0.8

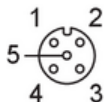
Displays / operating elements		
Display	Power	1 x LED, green
	fault	1 x LED, red
	Function	1 x LED, yellow

Accessories	
Accessories (optional)	protective cap for M12 sockets

Remarks	
Pack quantity	1 pcs.

Electrical connection - IO-Link	
Connector: 1 x M12; coding: A; Contacts: 4	
	

X1	
1	+ 24 V DC (US)
2	not used
3	GND (US)
4	IO-Link

Electrical connection - inputs / outputs	
Connector: 8 x M12; coding: A; Contacts: 4; sealing: EPDM	
	

X1.0...X1.7	
1	Sensor supply + 24 V DC
2	multifunctional input I2 Digital output O2
3	GND
4	digital input/output I1/O1
5	not used