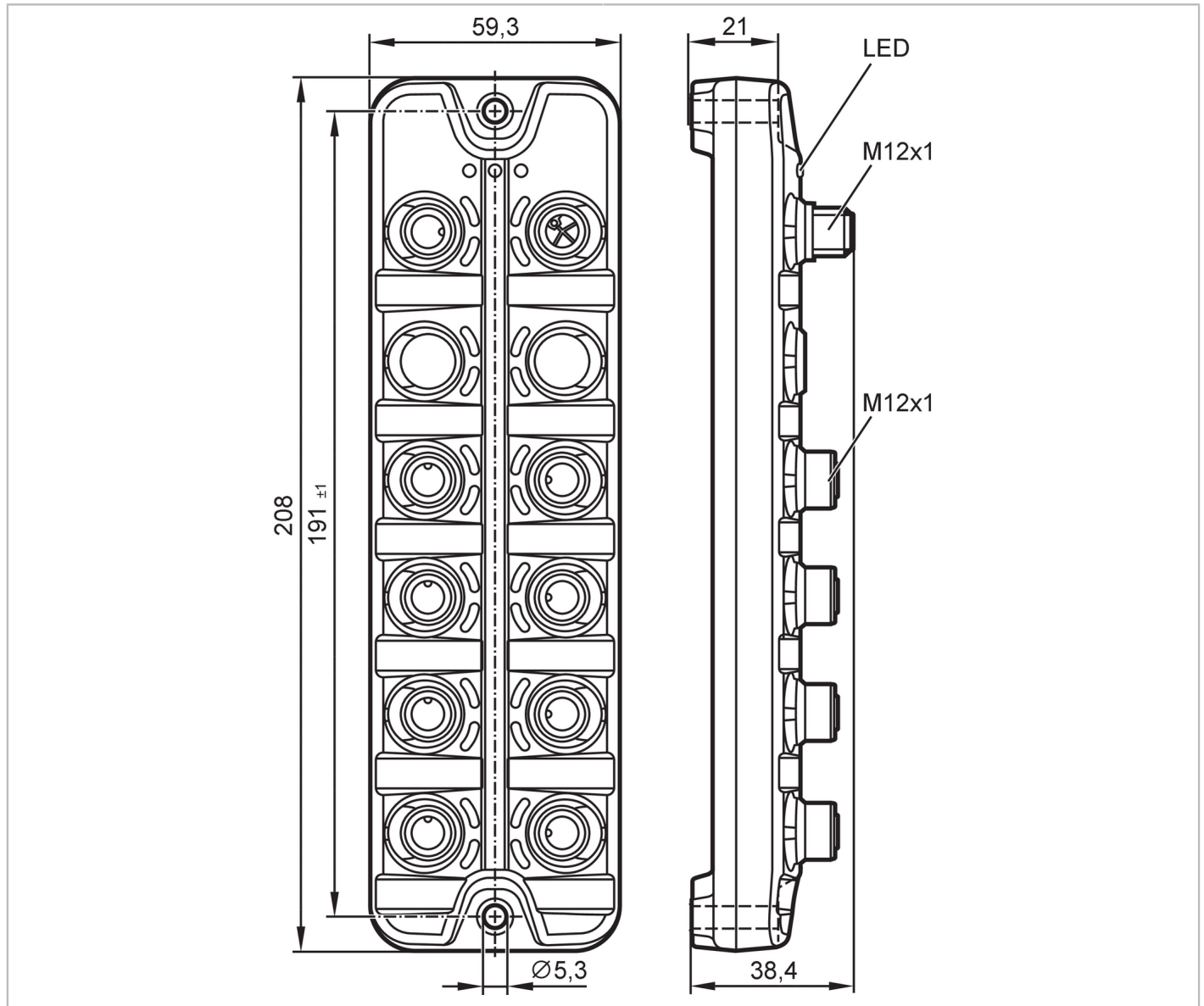


AL2627



IO-Link input/output module

IOL MOD PL 8XDX/DX E D M12 IP67



Electrical data		
Operating voltage	[V]	18...30 DC
Current consumption	[mA]	100; (US)
Protection class		III
Additional voltage supply	[V]	18...30 DC; (UA)
Max. current consumption from additional supply	[mA]	16000; (UA)
Inputs / outputs		
Total number of inputs and outputs		16
Number of inputs and outputs		Number of digital inputs: 16; Number of digital outputs: 16
Inputs		
Number of digital inputs		16; (configurable)

AL2627



IO-Link input/output module

IOL MOD PL 8XDX/DX E D M12 IP67

Input circuit of digital inputs	PNP; (type 3 (IEC 61131-2))
Sensor supply of the inputs	AUX (UA)
Voltage supply [V]	18...30
Input current High [mA]	2...15
Input current low [mA]	0...1.5
Switching level high [V]	11...28
Switching level low [V]	0...5

Outputs

Number of digital outputs	16; (configurable)
Max. current load per output [mA]	2000
Max. current load outputs total [A]	16
Short-circuit protection	yes
Actuator supply outputs	AUX (UA)

Interfaces

Communication interface	IO-Link
Transmission type	COM3 (230,4 kBaud)
IO-Link revision	1.1
SDCI standard	IEC 61131-9
Profiles	Common - I&D Identification and Diagnosis
SIO mode	no
Required master port class	A
Min. process cycle time [ms]	4
Supported DeviceIDs	Type of operation DeviceID default 1314
Note	Parameterization can be changed from cyclical to acyclical. For further information please see the IODD PDF file at "Downloads"

Operating conditions

Ambient temperature [°C]	-25...60
Storage temperature [°C]	-25...70
Max. relative air humidity [%]	90
Max. height above sea level [m]	2000
Protection	IP 65; IP 67
Protection rating (NEMA 250)	6P
Degree of soiling	2
Chemical media	ISO 16750-5 AA, BA, BD, HLP, CC, DB, DC, DD, CA NEMA 250 5.13.1 AA

Tests / approvals

EMC	EN 61000-6-2	
	EN 61000-6-3	
	IEC 61131-9	
Shock resistance	DIN EN 60068-2-27	
	DIN EN 60068-2-64	
Vibration resistance	DIN EN 60068-2-6	
MTTF [years]	59	

AL2627



IO-Link input/output module

IOL MOD PL 8XDX/DX E D M12 IP67

Mechanical data	
Weight [g]	399
Dimensions [mm]	26 x 59.3 x 208
Material	housing: PA orange; Socket: brass nickel-plated
Sealing material	FKM
Tightening torque [Nm]	< 0.8

Displays / operating elements		
Display	Power	1 x LED, green
	fault	1 x LED, red
	Function	1 x LED, yellow

Accessories	
Accessories (optional)	protective cap for M12 sockets

Remarks	
Remarks	Using the device within a system with requirements for functional safety is possible by deactivating the actuator voltage UA without interaction. For further information on functional safety, please refer to the operating instructions supplement under "Downloads".
Pack quantity	1 pcs.

Electrical connection - AUX

Connector: 1 x M12; coding: L; Contacts: 5



X31

1:	n.c.
2:	L- (UA)
3:	n.c.
4:	L+ (UA)
5:	FE

Electrical connection - IO-Link

Connector: 1 x M12; coding: A; Contacts: 4

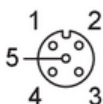


X1

1:	L+ (US)
2:	n.c.
3:	L- (US)
4:	DATA IO-Link

Electrical connection - inputs / outputs

Connector: 8 x M12; coding: A; Contacts: 4; sealing: FKM



AL2627



IO-Link input/output module

IOL MOD PL 8XDX/DX E D M12 IP67

X1.0...X1.7

1:	L+ (UA) Sensor supply
2:	MP2 DI2/DO2
3:	L- (UA) Sensor supply
4:	MP1 DI1/DO1
5:	FE