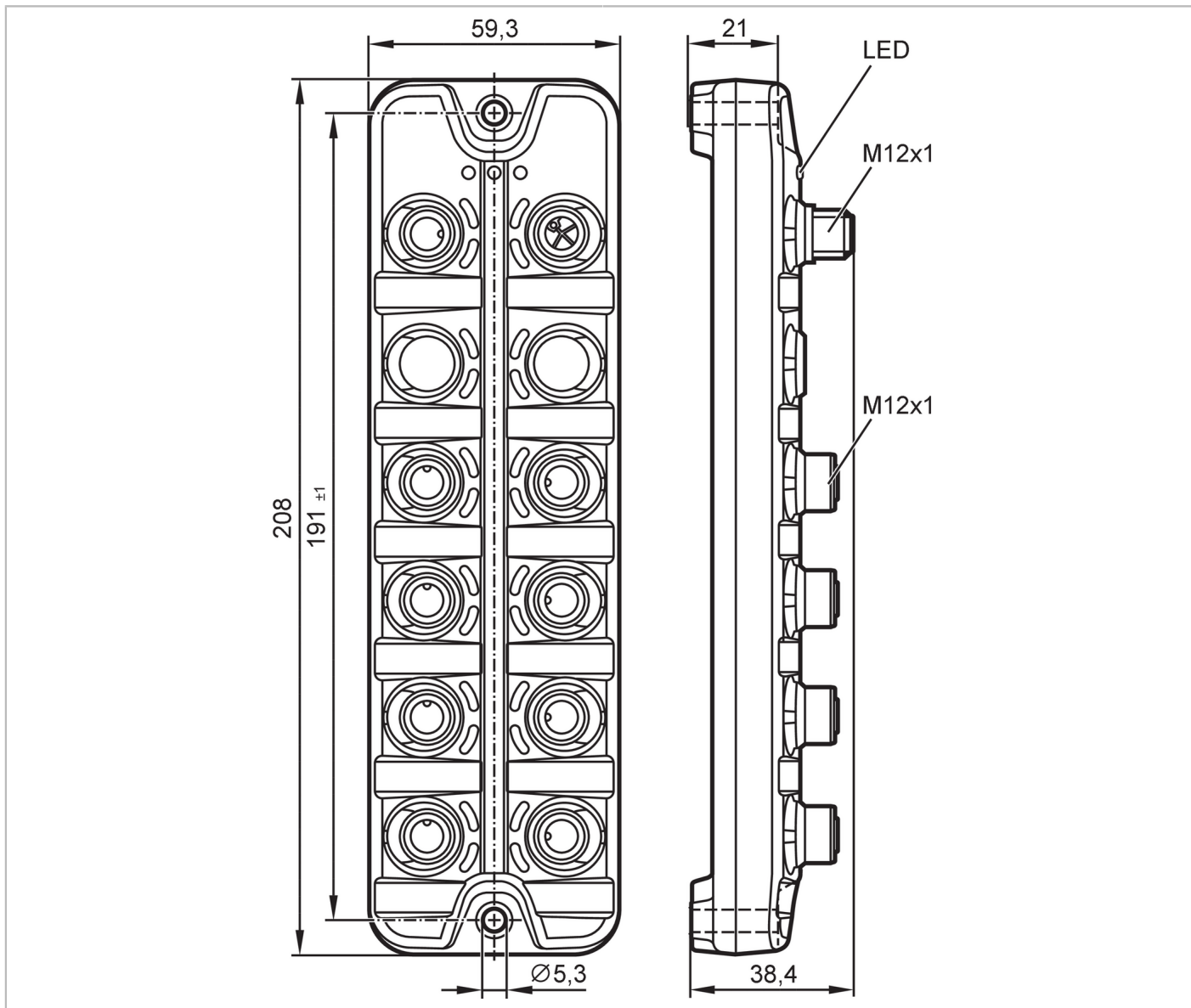


AL2607



IO-Link input/output module

IOL MOD PL 8XMP/DX E D M12 IP67



Electrical data	
Operating voltage [V]	18...30 DC
Current consumption [mA]	50; (US)
Protection class	III
Additional voltage supply [V]	18...30 DC; (UA)
Max. current consumption from additional supply [mA]	16000; (UA)
Inputs / outputs	
Total number of inputs and outputs	16
Number of inputs and outputs	Number of digital inputs: 16; Number of analog inputs: 8; Number of frequency inputs: 2; Number of digital outputs: 16
Inputs	
Number of frequency inputs	2

AL2607



IO-Link input/output module

IOL MOD PL 8XMP/DX E D M12 IP67

Number of digital inputs		16; (configurable)
Input circuit of digital inputs		PNP; (type 3 (IEC 61131-2))
Sensor supply of the inputs		AUX (UA)
Voltage supply	[V]	18...30
Input current High	[mA]	2...15
Input current low	[mA]	0...1.5
Switching level high	[V]	11...28
Switching level low	[V]	0...5
Number of analog inputs		8; (configurable current/voltage input)
Analog input (current)	[mA]	4...20
Analog input (voltage)	[V]	0...10
Resolution of analog input		16 Bit
Precision analog input	[%]	0,3

Outputs

Number of digital outputs		16; (configurable)	
Max. current load per output	[mA]	2000	
Max. current load outputs total	[A]	16	
Short-circuit protection		yes	
Actuator supply outputs		AUX (UA)	
Number of PWM outputs		8; (acyclic enhanced modus)	
Number of PWM-I outputs		2; (acyclic enhanced modus)	
PMW/PWM-I output	max. current PWM-I output	[mA]	2000
	available factors for the controller	[PID]	Kp, Ki, Kd
	currently requested resolution	[mA]	1
	Accuracy PWM-I Ausgang	[%]	2,2
	range of the PWM output pulse/pause ratio	[%]	0...1000
	switch-on time resolution	‰]	1
	PWM/PWM-I frequency range	[Hz]	20...1000
	number of configurable frequencies		2
	number of PWM outputs with optional dither		8
	dither level	‰]	1...250
dither number		1...20	

Measuring/setting range

Sampling rate	[Hz]	0...3000
---------------	------	----------

Interfaces

Communication interface		IO-Link
Transmission type		COM3 (230,4 kBaud)
IO-Link revision		1.1
SDCI standard		IEC 61131-9
SIO mode		no
Required master port class		A
Min. process cycle time	[ms]	4

AL2607



IO-Link input/output module

IOL MOD PL 8XMP/DX E D M12 IP67

Supported DeviceIDs	Type of operation	DeviceID
	Acyclic enhanced parametrisation	1449
	Acyclic parametrisation	1316
	Cyclic parametrisation	1315

Note

Parameter setting can be changed from “cyclic” to “acyclic” and “acyclic enhanced”
For further information please see the IODD PDF file at “Downloads”

Acyclic enhanced parametrisation

Profiles	Common - I&D	Identification and Diagnosis
	Function	Multiple switching signal

Acyclic parametrisation

Profiles	Common - I&D	Identification and Diagnosis
----------	--------------	------------------------------

Cyclic parametrisation

Profiles	Common - I&D	Identification and Diagnosis
----------	--------------	------------------------------

Operating conditions

Ambient temperature	[°C]	-25...60
Storage temperature	[°C]	-25...70
Max. relative air humidity	[%]	90
Max. height above sea level	[m]	2000
Protection		IP 65; IP 67
Protection rating (NEMA 250)		6P
Degree of soiling		2
Chemical media	ISO 16750-5	AA, BA, BD, HLP, CC, DB, DC, DD, CA
	NEMA 250 5.13.1	AA

Tests / approvals

EMC	EN 61000-6-2	
	EN 61000-6-3	
	IEC 61131-9	
Shock resistance	DIN EN 60068-2-27	
Vibration resistance	DIN EN 60068-2-64	
	DIN EN 60068-2-6	
MTTF	[years]	59

Mechanical data

Weight	[g]	398.1
Dimensions	[mm]	26 x 59.3 x 208
Material		housing: PA orange; Socket: brass nickel-plated
Sealing material		FKM
Tightening torque	[Nm]	< 0.8

Displays / operating elements

Display	Power	4 x LED, green
	fault	3 x LED, red
	Function	16 x LED, yellow

Accessories

Accessories (optional)	protective cap for M12 sockets
------------------------	--------------------------------



IO-Link input/output module

IOL MOD PL 8XMP/DX E D M12 IP67

Remarks	
Remarks	Using the device within a system with requirements for functional safety is possible by deactivating the actuator voltage UA without interaction. For further information on functional safety, please refer to the operating instructions supplement under "Downloads".
Pack quantity	1 pcs.

Electrical connection - AUX

Connector: 1 x M12; coding: L; Contacts: 5



X31

1:	n.c.
2:	L- (UA)
3:	n.c.
4:	L+ (UA)
5:	FE

Electrical connection - IO-Link

Connector: 1 x M12; coding: A; Contacts: 4

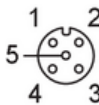


X1

1:	L+ (US)
2:	n.c.
3:	L- (US)
4:	DATA IO-Link

Electrical connection - inputs / outputs

Connector: 8 x M12; coding: A; Contacts: 4; sealing: FKM



X1.0...X1.7

1:	L+ (UA) Sensor supply
2:	MP2 DI2/DO2
3:	L- (UA) Sensor supply
4:	MP1 DI1/DO1
5:	FE