

# AL1300

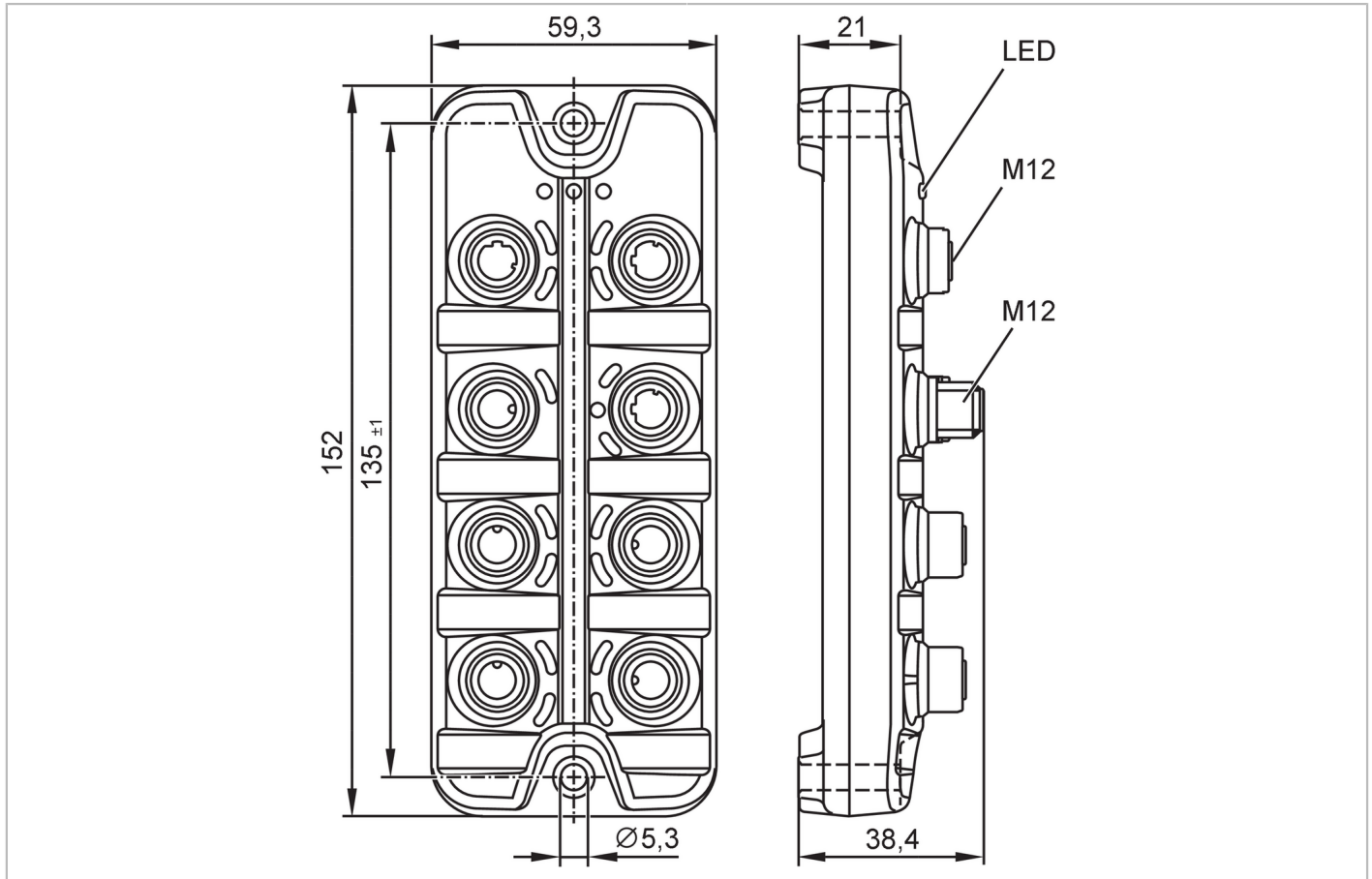


## IO-Link master with Profinet interface

IO-Link Master DL PN 4P IP67

Alternative articles: AL1304

When selecting an alternative article and accessories please note that technical data may differ!



Application	
Application	I/O modules for field applications
Daisy-chain function	fieldbus interface
Electrical data	
Operating voltage [V]	20...30 DC; (US ; to SELV/PELV)
Current consumption [mA]	300...3900; (US)
Protection class	III
Sensor supply US	
Max. current load total [A]	3.6
Inputs / outputs	
Total number of inputs and outputs	8; (configurable)
Number of inputs and outputs	Number of digital inputs: 8; Number of digital outputs: 4
Inputs	
Number of digital inputs	8; (IO-Link Port Class A: 4 x 2)
Switching level high [V]	11...30
Switching level low [V]	0...5

# AL1300



## IO-Link master with Profinet interface

IO-Link Master DL PN 4P IP67

Digital inputs protected against short circuits	yes
<b>Outputs</b>	
Number of digital outputs	4; (IO-Link Port Class A: 4 x 1)
Max. current load per output [mA]	300
Short-circuit proof	yes
<b>Interfaces</b>	
Communication interface	Ethernet; IO-Link
<b>Ethernet - PROFINET</b>	
Transmission standard	100Base-TX
Transmission rate	100 MBit/s
Protocol	PROFINET
Factory settings	IP address: 0.0.0.0 subnet mask: 0.0.0.0 gateway IP address: 0.0.0.0 MAC address: see type label
Note on interfaces	CC-C (Conformance Class C) (IRT-Switch) Netload Class III SNMP (Simple Network Management Protocol) MRP (Media Redundancy Protocol) Supported network topologies: line ring
<b>Ethernet - Internet of Things</b>	
Transmission standard	10Base-T; 100Base-TX
Transmission rate	10 MBit/s; 100 MBit/s
Protocol	MQTT JSON
Factory settings	IP address: 169.254.x.x subnet mask: 255.255.0.0 gateway IP address: 0.0.0.0 MAC address: see type label
Note on interfaces	Safety protocol: HTTPS
<b>IO-Link Master</b>	
Transmission type	COM1 (4,8 kBaud); COM2 (38,4 kBaud); COM3 (230,4 kBaud)
IO-Link revision	1.1
Number of ports class A	4
<b>Operating conditions</b>	
Ambient temperature [°C]	-25...60
Storage temperature [°C]	-25...85
Max. relative air humidity [%]	90
Protection	IP 65; IP 66; IP 67
Protection rating (NEMA 250)	6P
Degree of soiling	2
Chemical media	ISO 16750-5 NEMA 250 5.13.1
	AA, BA, BD, HLP, CC, DB, DC, DD, CA AA

# AL1300



## IO-Link master with Profinet interface

IO-Link Master DL PN 4P IP67

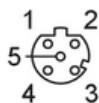
Tests / approvals		
EMC	EN 61000-6-2	
	EN 61000-6-4	
Shock resistance	DIN EN 60068-2-27	
Vibration resistance	DIN EN 60068-2-64 2009-04	
	DIN EN 60068-2-6 2008-10	
MTTF	[years]	95

Mechanical data		
Weight	[g]	301
Housing		rectangular
Type of mounting		Backplane mounting
Dimensions	[mm]	152 x 59.3 x 38.4
Material		housing: PA orange; Socket: brass nickel-plated
Sealing material		FKM

Remarks		
Remarks		Further information is available in the manual.
Pack quantity		1 pcs.

### Electrical connection - Ethernet

Connector: 3 x M12; coding: D; Contacts: 4; sealing: FKM



### PROFINET X21, X22

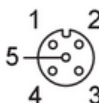
1	TX +
2	RX +
3	TX -
4	RX -
5	not used

### IoT X23

1	TX +
2	RX +
3	TX -
4	RX -
5	not used

### Electrical connection - IO-Link

Connector: 4 x M12; coding: A; Contacts: 4; sealing: FKM



### IO-Link Port Class A X01...X04

1	Sensor supply (US) L+
2	Digital input
3	Sensor supply (US) L-
4	C/Q IO-Link
5	not used

# AL1300



## IO-Link master with Profinet interface

IO-Link Master DL PN 4P IP67

### Electrical connection - voltage supply IN

Connector: 1 x M12; coding: A; Contacts: 4; sealing: FKM



#### X31

1	+ 24 V DC (US)
2	not used
3	GND (US)
4	not used