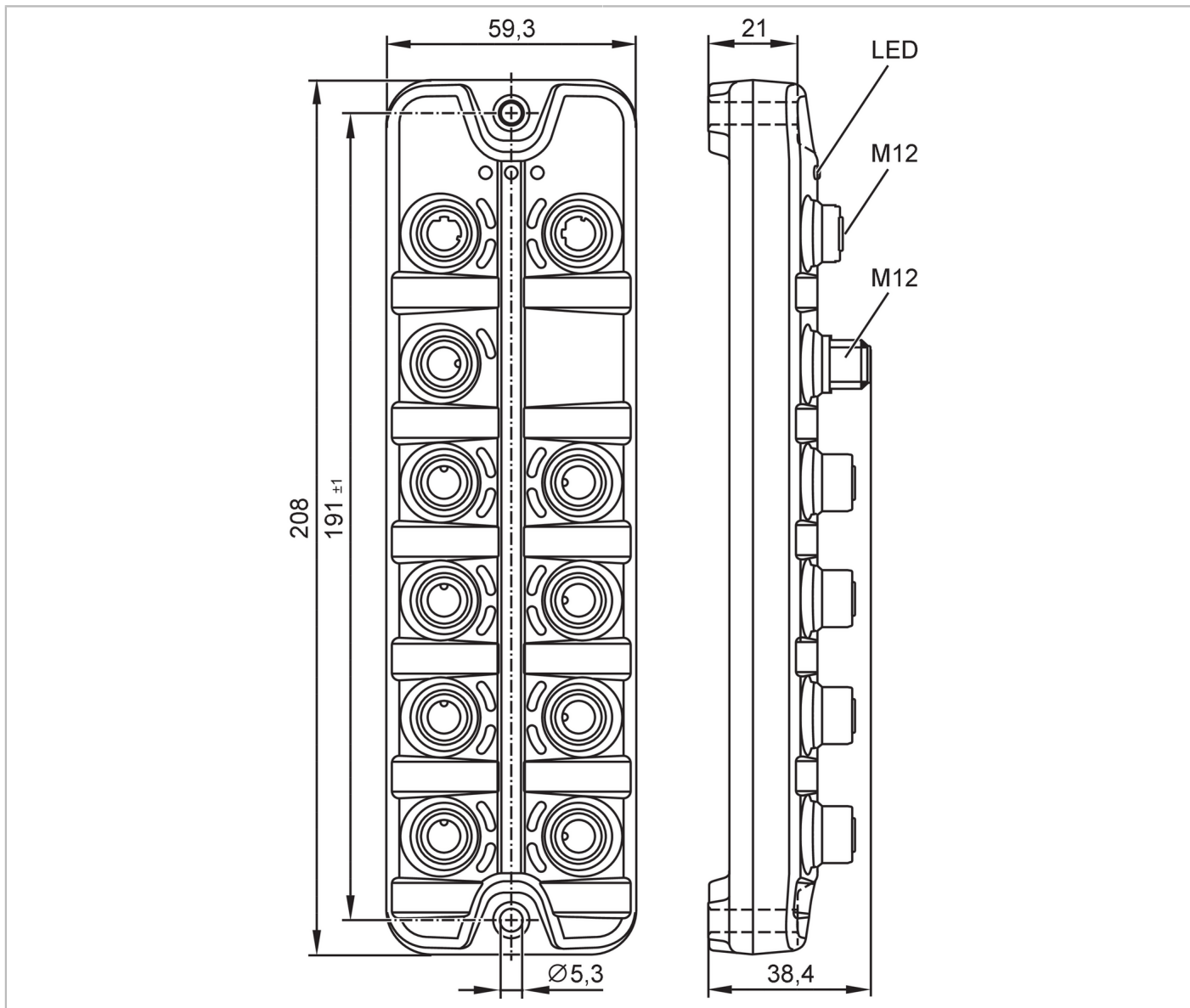


# AL1103



## IO-Link master with Profinet interface

IO-Link Master SL PN 8P IP69K



| Application                        |  |
|------------------------------------|--|
| Application                        | hygienic systems; I/O modules for field applications       |
| Daisy-chain function               | fieldbus interface   |
| Electrical data                    |  |
| Operating voltage [V]              | 20...30 DC; (US ; to SELV/PELV)                            |
| Current consumption [mA]           | 300...3900; (US)   |
| Protection class                   | III  |
| Sensor supply US                   |  |
| Max. current load total [A]        | 3.6  |
| Inputs / outputs                   |  |
| Total number of inputs and outputs | 16; (configurable)   |
| Number of inputs and outputs       | Number of digital inputs: 16; Number of digital outputs: 8 |



## IO-Link master with Profinet interface

IO-Link Master SL PN 8P IP69K

| Inputs  |   |                         |
|---|---|-------------------------|
| Number of digital inputs                        | 16; (IO-Link Port Class A: 8 x 2)   |                         |
| Switching level high [V]                        | 11...30   |                         |
| Switching level low [V]                         | 0...5   |                         |
| Digital inputs protected against short circuits | yes   |                         |
| Outputs   |   |                         |
| Number of digital outputs                       | 8; (IO-Link Port Class A: 8 x 1)  |                         |
| Max. current load per output [mA]               | 300   |                         |
| Short-circuit proof                             | yes   |                         |
| Interfaces                                      |   |                         |
| Communication interface                         | Ethernet; IO-Link   |                         |
| Ethernet - PROFINET                             |   |                         |
| Transmission standard                           | 100Base-TX  |                         |
| Transmission rate                               | 100 MBit/s  |                         |
| Protocol  | PROFINET  |                         |
| Factory settings                                | IP address: 0.0.0.0   |                         |
|   | subnet mask: 0.0.0.0  |                         |
|   | gateway IP address: 0.0.0.0   |                         |
|   | MAC address: see type label   |                         |
| Note on interfaces                              | CC-C (Conformance Class C) (IRT-Switch)   |                         |
|   | Netload Class III   |                         |
|   | SNMP (Simple Network Management Protocol)   |                         |
|   | MRP (Media Redundancy Protocol)   |                         |
|   | Supported network topologies: line  |                         |
|   | ring  |                         |
| IO-Link Master                                  |   |                         |
| Transmission type                               | COM1 (4,8 kBaud); COM2 (38,4 kBaud); COM3 (230,4 kBaud)                               |                         |
| IO-Link revision                                | 1.1   |                         |
| Number of ports class A                         | 8   |                         |
| Operating conditions                            |   |                         |
| Ambient temperature [°C]                        | -25...60  |                         |
| Storage temperature [°C]                        | -25...85  |                         |
| Max. relative air humidity [%]                  | 90  |                         |
| Protection                                      | IP 65; IP 66; IP 67; IP 69K; (operation with stainless steel protective caps: IP 69K) |                         |
| Protection rating (NEMA 250)                    | 6P  |                         |
| Degree of soiling                               | 2   |                         |
| Chemical media                                  | ISO 16750-5   | HLP, CC, DB, DC, DD, CA |
|   | NEMA 250 5.13.1   | AA                      |
| Tests / approvals                               |   |                         |
| EMC   | EN 61000-6-2  |                         |
|   | EN 61000-6-4  |                         |
| Shock resistance                                | DIN EN 60068-2-27   |                         |
| Vibration resistance                            | DIN EN 60068-2-64 2009-04   |                         |
|   | DIN EN 60068-2-6 2008-10  |                         |

# AL1103



## IO-Link master with Profinet interface

IO-Link Master SL PN 8P IP69K

|      |         |    |
|------|---------|----|
| MTTF | [years] | 78 |
|------|---------|----|

### Mechanical data

|                  |      |   |
|------------------|------|---|
| Weight           | [g]  | 410   |
| Housing          |      | rectangular   |
| Type of mounting |      | Backplane mounting  |
| Dimensions       | [mm] | 208 x 59.3 x 38.4   |
| Material         |      | housing: PA grey; Socket: stainless steel (1.4404 / 316L) |
| Sealing material |      | EPDM  |

### Accessories

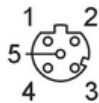
|                |  |
|----------------|--|
| Items supplied | Protective cap: 1 x M12, stainless steel, E12542 |
|----------------|--|

### Remarks

|               |   |
|---------------|---|
| Remarks       | Further information is available in the manual. |
| Pack quantity | 1 pcs.  |

### Electrical connection - Ethernet

Connector: M12; coding: D; sealing: EPDM

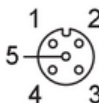


### IN / OUT X21, X22

|   |          |
|---|----------|
| 1 | TX +     |
| 2 | RX +     |
| 3 | TX -     |
| 4 | RX -     |
| 5 | not used |

### Electrical connection - IO-Link

Connector: M12; coding: A; sealing: EPDM



### IO-Link Port Class A X01...X08

|   |                       |
|---|-----------------------|
| 1 | Sensor supply (US) L+ |
| 2 | Digital input         |
| 3 | Sensor supply (US) L- |
| 4 | C/Q IO-Link           |
| 5 | not used              |

### Electrical connection - voltage supply

Connector: M12; coding: A



### X31

|   |                |
|---|----------------|
| 1 | + 24 V DC (US) |
| 2 | not used       |
| 3 | GND (US)       |
| 4 | not used       |