

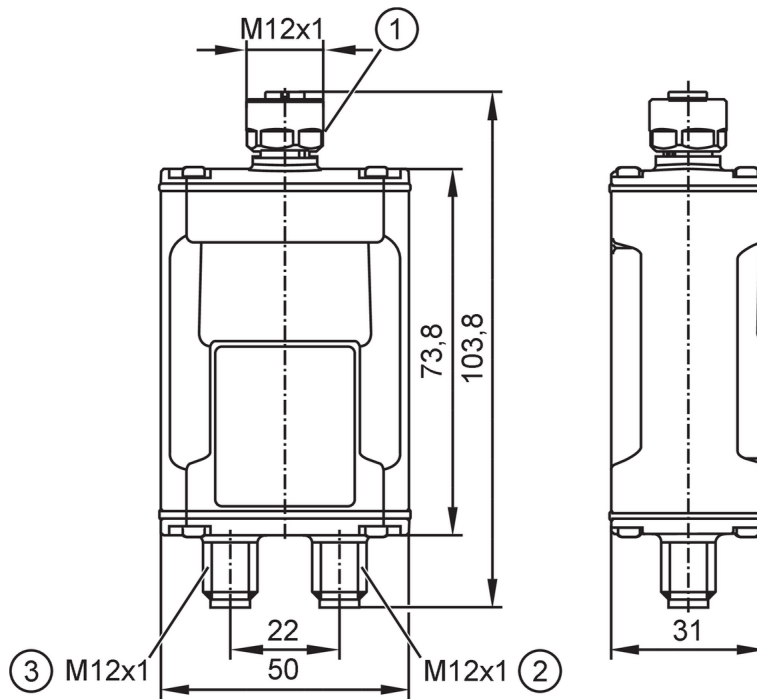
# AL1060



## IO-Link interface

IO-Link Master USB 1P IP67

article is delivered without parameter setting software



- 1 IO-Link
- 2 AUX
- 3 USB



### Application

Application parameter setting and analysis of units

### Electrical data

Nominal voltage DC [V]	5; (USB)
Current consumption [mA]	< 1100; (USB)
Protection class	III
Sensor supply	24 V DC

### Sensor supply - AUX

Current rating per port [A]	0.65
-----------------------------	------

### Sensor supply - USB

Current rating per port [A]	0.15
-----------------------------	------

### Inputs / outputs

Number of inputs and outputs Number of digital inputs: 2; Number of digital outputs: 2

### Inputs

Number of digital inputs	2; (IO-Link port Class A : 1 x 2)
Switching level high [V]	11...30
Switching level low [V]	0...5
Short-circuit protection digital inputs	yes

# AL1060



## IO-Link interface

IO-Link Master USB 1P IP67

Outputs		
Number of digital outputs	2; (IO-Link port Class A: 1 x 2)	
Max. current load per output [mA]	150	
Short-circuit proof	yes	
Interfaces		
Communication interface	IO-Link; USB	
Number of USB interfaces	1	
IO-Link Master		
Transmission type	COM1 (4,8 kBaud); COM2 (38,4 kBaud); COM3 (230,4 kBaud)	
IO-Link revision	1.1	
Number of ports class A	1	
USB		
Version	USB 2.0	
Operating conditions		
Ambient temperature [°C]	-25...50	
Storage temperature [°C]	-25...85	
Max. relative air humidity [%]	90	
Protection	IP 65; IP 67	
Tests / approvals		
EMC	DIN EN 61000-6-2	
	DIN EN 61000-6-4	
Shock resistance	DIN EN 60068-2-27	
Vibration resistance	DIN EN 60068-2-64	
	DIN EN 60068-2-6	
MTTF [years]	290	
Mechanical data		
Weight [g]	143.7	
Housing	rectangular	
Dimensions [mm]	103.8 x 50 x 31	
Material	housing: PA; Socket: PA; lock nut: nickel-plated brass	
Sealing material	FKM	
Displays / operating elements		
Display	PWR	1 x LED, green/red voltage supply
	IO-Link	1 x LED, green/red communication
	DI/DO	1 x LED, orange digital input/output
Accessories		
Accessories (optional)	Switched-mode power supply 24 V DC:, M12 A-coded, E80121	
	USB cable: 1 m, E12689	
	Connection cable: 1 m, M12 A-coded, EVC012	
Remarks		
Pack quantity	1 pcs.	



## IO-Link interface

IO-Link Master USB 1P IP67

### Electrical connection - AUX

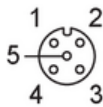
Connector: 1 x M12; coding: A



1:	+ 24 V DC US
2:	not used
3:	GND US
4:	not used

### Electrical connection - IO-Link

Connector: 1 x M12; coding: A; sealing: FKM



1:	Sensor supply US L+
2:	digital input/output
3:	Sensor supply US L-
4:	IO-Link (C/Q)
5:	not used

### Electrical connection - USB

Connector: 1 x M12; coding: B



1:	VBUS + 5 V DC
2:	Data -
3:	Data +
4:	GND