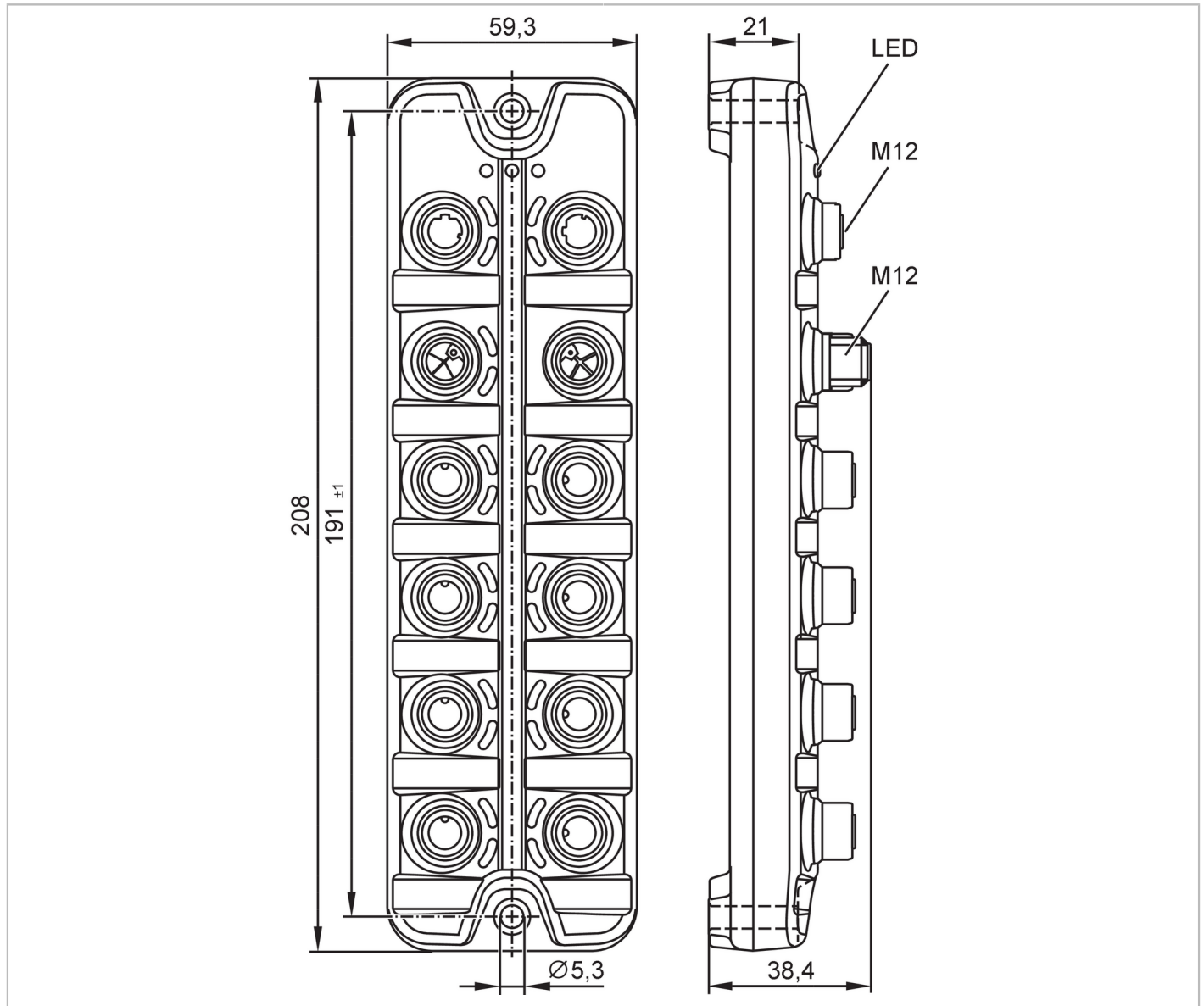


# AL1432



## IO-Link master with EtherCAT interface

IO-Link Master PFL EC 8P IP67



Application		
Application		I/O modules for field applications
Loop-through function		voltage supply; fieldbus interface
Electrical data		
Operating voltage	[V]	20...30 DC; (US ; to PELV)
Current consumption	[mA]	300...3900; (US)
Protection class		III
Additional voltage supply	[V]	20...30 DC; (UA)
Actuator supply UA		
Max. current load total	[A]	8
Current rating per port	[A]	2; (adjustable: 0...2; Factory setting: 2)



## IO-Link master with EtherCAT interface

IO-Link Master PFL EC 8P IP67

Sensor supply US		
Max. current load total	[A]	3.6
Current rating per port	[A]	2; (adjustable: 0...2; Factory setting: 0,45)
<b>Inputs / outputs</b>		
Total number of inputs and outputs		16; (configurable)
Number of inputs and outputs		Number of digital inputs: 12; Number of digital outputs: 12
<b>Inputs</b>		
Number of digital inputs		12; (IO-Link Port Class A: 4 x 2; IO-Link Port Class B: 4 x 1)
Switching level high	[V]	11...30
Switching level low	[V]	0...5
Digital inputs protected against short circuits		yes
<b>Outputs</b>		
Number of digital outputs		12; (IO-Link Port Class A: 4 x 1; IO-Link Port Class B: 4 x 2)
Short-circuit proof		yes
Actuator supply UA		
Max. current load per output	[mA]	2000
Sensor supply US		
Max. current load per output	[mA]	2000
<b>Interfaces</b>		
Communication interface		Ethernet; IO-Link
<b>Ethernet - EtherCAT</b>		
Transmission standard		100Base-TX
Transmission rate		100 MBit/s
Protocol		EtherCAT
Factory settings		MAC address: see type label
Note on interfaces		AoE (ADS over EtherCAT)
		CoE (CANopen over EtherCAT)
		EoE (Ethernet over EtherCAT)
		FoE (File Access over EtherCAT)
<b>IO-Link Master</b>		
Transmission type		COM1 (4,8 kBaud); COM2 (38,4 kBaud); COM3 (230,4 kBaud)
IO-Link revision		1.1
Number of ports class A		4
Number of ports class B		4
<b>Operating conditions</b>		
Ambient temperature	[°C]	-25...60
Storage temperature	[°C]	-25...85
Max. relative air humidity	[%]	90
Protection		IP 65; IP 66; IP 67
Protection rating (NEMA 250)		6P
Pollution degree		2

# AL1432



## IO-Link master with EtherCAT interface

IO-Link Master PFL EC 8P IP67

Chemical media	ISO 16750-5	AA, BA, BD, HLP, CC, DB, DC, DD, CA
	NEMA 250 5.13.1	AA

### Tests / approvals

EMC	EN 61000-6-2	
	EN 61000-6-4	
Shock resistance	DIN EN 60068-2-27	
Vibration resistance	DIN EN 60068-2-64 2009-04	
	DIN EN 60068-2-6 2008-10	
MTTF [years]		43

### Mechanical data

Weight [g]	420.2
Housing	rectangular
Type of mounting	backplane mounting
Dimensions [mm]	208 x 59.3 x 38.4
Materials	housing: PA orange; socket: brass nickel-plated
Sealing material	FKM

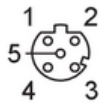
### Remarks

Remarks	For further information please see the operating instructions.
Pack quantity	1 pcs.

### Electrical connection

#### Electrical connection - Ethernet

Connector: 2 x M12; coding: D; Contacts: 4; Sealing: FKM

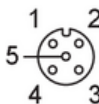


#### IN / OUT XF1, XF2

1	TX +
2	RX +
3	TX -
4	RX -
5	not used

#### Electrical connection - IO-Link

Connector: 8 x M12; coding: A; Contacts: 5; Sealing: FKM



#### IO-Link Port Class B X1...X4

1	Sensor supply (US) L +
2	actuator supply / digital output (UA) L+
3	Sensor supply (US) L-
4	C/Q IO-Link
5	actuator supply (UA) L-



## IO-Link master with EtherCAT interface

IO-Link Master PFL EC 8P IP67

### IO-Link Port Class A X5...X8

1	Sensor supply (US) L+
2	digital input (US)
3	Sensor supply (US) L-
4	C/Q IO-Link
5	not used

### Electrical connection - voltage supply IN

Connector: 1 x M12; coding: L; Contacts: 5



### XD1

1	+ 24 V DC (US) brown
2	GND (UA) white
3	GND (US) blue
4	+ 24 V DC (UA) black
5	FE grey

### Electrical connection - voltage supply OUT

Connector: 1 x M12; coding: L; Contacts: 5; Sealing: FKM



### XD2

1	+ 24 V DC (US) brown
2	GND (UA) white
3	GND (US) blue
4	+ 24 V DC (UA) black
5	FE grey